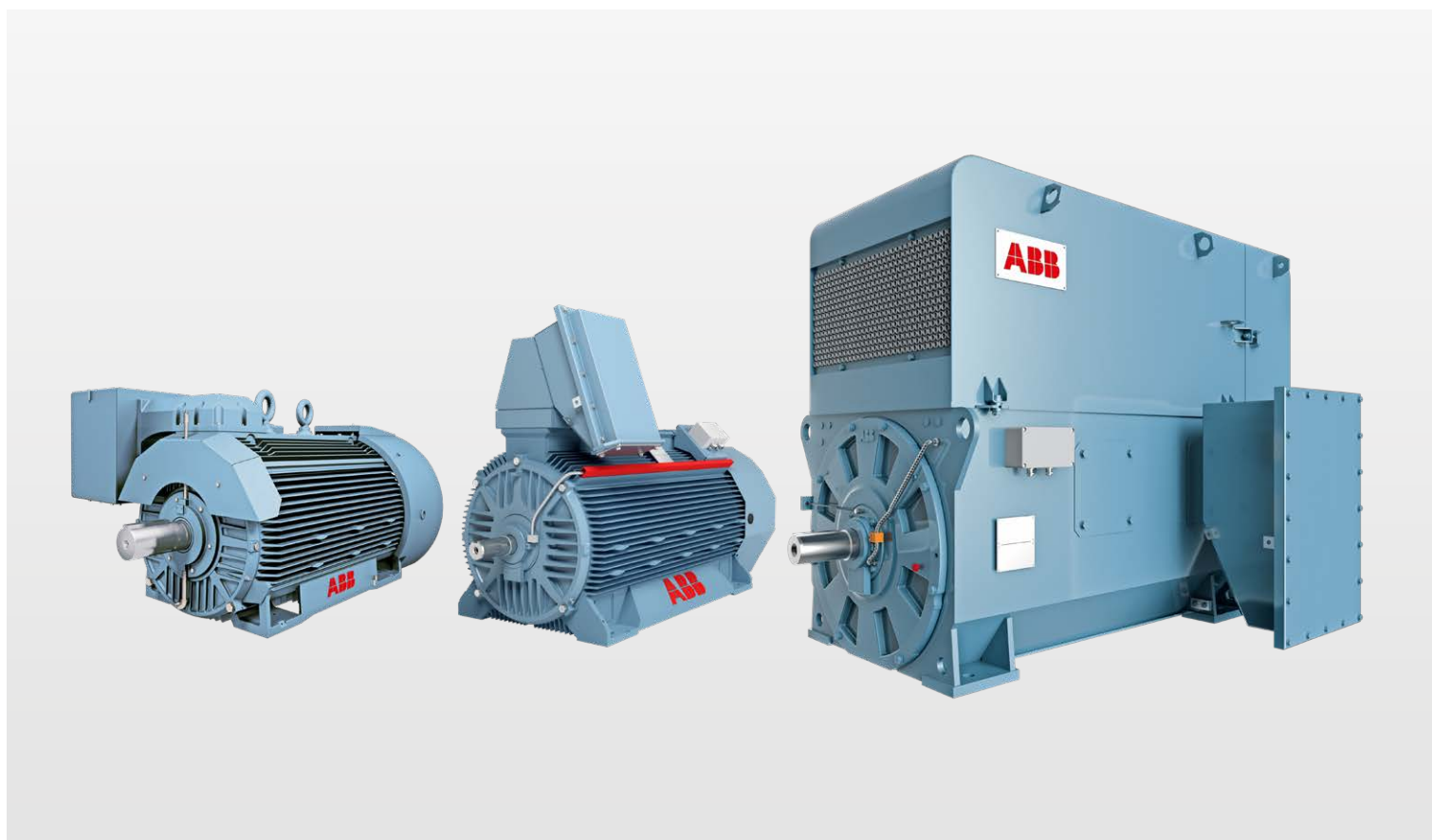


CATALOG

High voltage configured to order motors

Technical catalog



N-series configured to order motors combine cost-efficient standardized designs and short lead times with safety, productivity, energy efficiency and reliability

High voltage configured to order motors from ABB combine cost-efficient standardized designs and short lead times with safety, productivity, energy efficiency and reliability. They are targeted at applications where a highly customized motor is not needed.

Table of contents

004	High voltage configured to order motors
005	MachSize online selection tool
006	Rotor and stator
007–009	Main terminal boxes
010	Auxiliary terminal boxes
011–016	Bearings
017	Vibration
019–041	Rib cooled motors, type NXR
043–051	Configured to order above NEMA motors, type NXR US
053–099	Modular induction motors, type NMI
100	Total product offering
101	Life cycle services and support

ABB reserves the right to change the designs, technical specifications and dimensions without prior notice.

Data presented in rating lists are typical values. Accurate motor data will be given on request at the quotation phase.

All ratings in this catalog are designed for the following:
– Class F insulation / Maximum temperature rise of 80K by resistance
– 40 °C ambient
– Altitude of 1000 meters or less

High voltage configured to order motors

N-series

High voltage configured to order motors from ABB combine cost-efficient standardized designs and short lead times with safety, productivity, energy efficiency and reliability. They are targeted at applications where a highly customized motor is not needed.

This catalog covers ABB's N-series high voltage configured to order motors: rib cooled motors (type NXR), modular induction motors (type NMI).

With their standardized designs and short lead times, the N-series high voltage pre-engineered motors meet most common needs across a wide range of industries.

Based on broad experience of different industries and applications, the motors use cost-effective pre-packaged designs to meet the same high quality standards as all ABB motors but with lead times that are several weeks shorter.

The pre-engineered N-series complements the A-series of engineered motors, which are highly customized, fine-tuned to the customer's precise needs, and offer a high degree of engineering flexibility.

Like all ABB products, the N-series motors are backed by ABB's global support network, which includes over 60 service centers and more than 150 authorized service providers worldwide. The availability of round-the-clock access to spares, repairs and replacements, as well as predefined maintenance programs for all stages of the product life cycle, helps customers to minimize downtime and reduce their cost of ownership.



MachSize

Easy-to-use online selection tool

Handy online tool makes it possible to select and buy a high voltage motor in just a few minutes.



MachSize is an intuitive online tool which reduces the time needed to get a quotation and order a motor from several days to just a few minutes. MachSize enables you to configure N-series high voltage configured to order motors, generate quotations, send orders and obtain all the necessary documentation. It guides you through the motor selection process in a series of straightforward, logical steps.

Because MachSize is an online tool, it can be accessed 24/7 on laptops, tablets, phones – any device that has a browser and Internet connection.

MachSize is targeted at registered customers and ABB partners like distributors and OEMs.

If you would like to try MachSize, please contact ABB. Our local sales unit will help you to register. After registration you can access it by scanning the QR code on the right.



Rotor and stator

Rotor

The key to a long rotor operating life is minimal vibration. This is achieved through robust construction and careful balancing. ABB selects the shaft material according to the demands of the application and the ambient conditions in which the motor is to operate.

Squirrel cages are made of copper, copper alloy or aluminum, depending on the load and customer requirements. Additional stiffness is provided by fabricated rotor bars, which enable the motors to withstand long periods of heavy use. Aluminum bars and end rings are used to ensure optimal starting characteristics.

Once assembled each rotor is dynamically balanced at full operating speed in accordance with the ISO 1940-1 and ISO 11342 standards on mechanical vibration.

Stator

The stator core is welded and machined to form a solid and compact unit that retains its rigidity throughout the life of the motor. Radial air ducts ensure uniform and efficient cooling.

When completely wound and connected, the stator is vacuum pressure impregnated and cured with ABB's Micadur® Compact Industry insulation system, a specially formulated epoxy resin used by ABB to insulate all its rotating electrical machines over the past 30 years. Micadur ensures a sealed and homogeneous insulation system, resulting in low dielectric losses, high dielectric strength, excellent heat transfer and the elimination of hazardous internal partial discharges.

As standard, all motors are designed to stay within temperature Class B.

Main terminal boxes

Technical data:

Voltage (max.)	6.6 kV
Current (max.)	800 A
No. of cables (max.)	2 per phase
Cross section of cables (max.)	300 mm ² /cable
Cable gland	blind gland (1 pce)
Clearance (min.)	60 mm
Creepage (min.)	89 mm
Gross volume	197 dm ³
Usable volume	189 dm ³
Connection screws	(M16x1/M12x2/ M10x2)/phase
Tightening torque for connection nuts	190 Nm (M16), 55 Nm (M12), 46 Nm (M10)
Ground connections	M12 (both in- and outside)
Weight	90 kg
Protection	IP55/IP66
Standards	DIN 42962 Teil 2, D2 (internal dimensions)

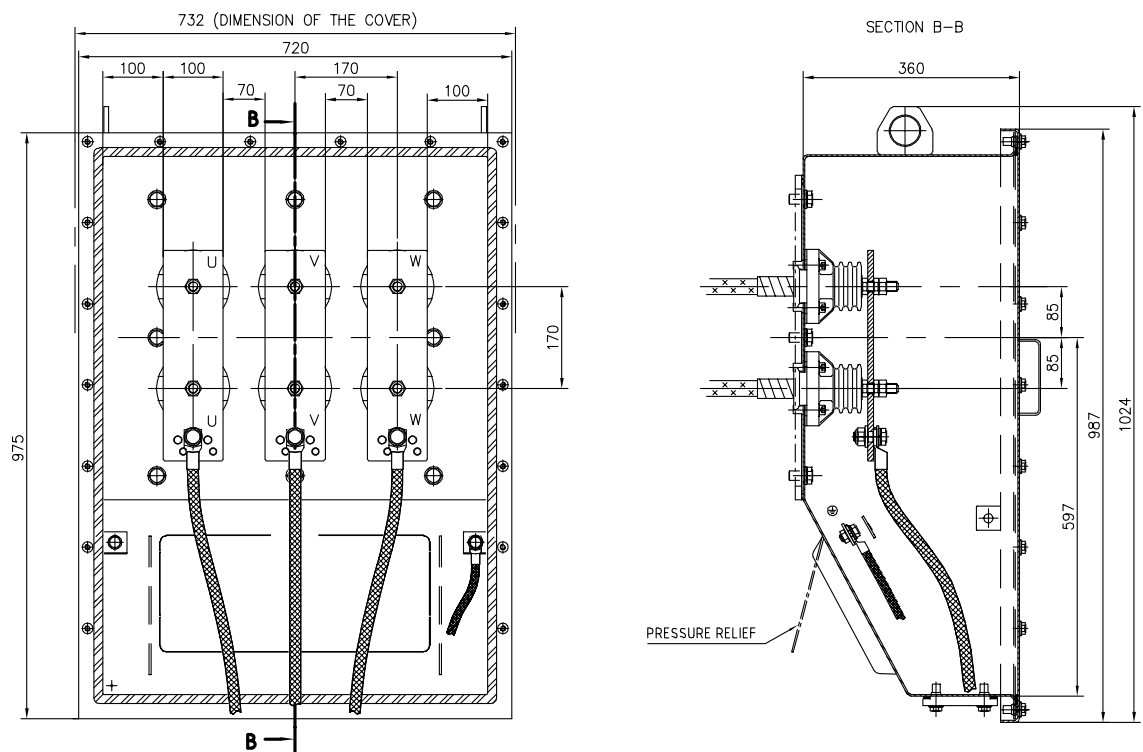
Materials:

Box	welded sheet steel (thickness min. 3 mm)
Cable gland plate	steel
Connection screws	bronze
Isolators	polyurethane resin or epoxy casting resin
Grounding pad	stainless steel

Other features:

- rigid welded construction
- ample size for connecting supply cables
- box turnable to allow cable entry from left or right
- box turnable in steps of 90°
- either 3-phase or 1-phase cables can be connected
- pressure relief plate in bottom of box in case of arcing short circuit

01 High voltage terminal box, max 6.6 kV/800 A. Dimensions in mm.



Main terminal boxes

Technical data:

Voltage (max.)	11.0 kV
Current (max.)	400 A
No. of cables (max.)	1 per phase
Cross section of cables (max.)	300 mm ² /cable
Cable gland	blind gland (1 pce)
Clearance (min.)	100 mm
Creepage (min.)	163 mm
Gross volume	127 dm ³
Usable volume	117 dm ³
Connection screws	M16 (3 pcs)
Connection nuts	tightening torque 40 Nm
Ground connections	M12 (both in- and outside)
Weight	62 kg
Protection	IP55/IP66
Standard	DIN 42962 TEIL 2, C2

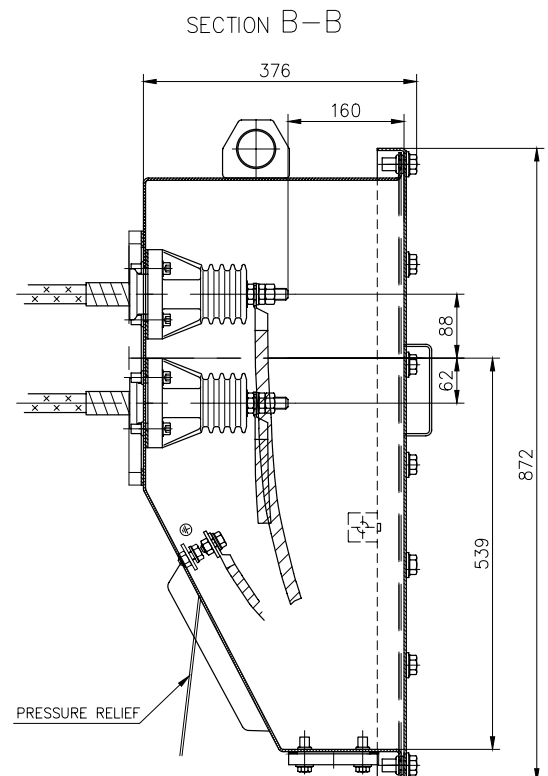
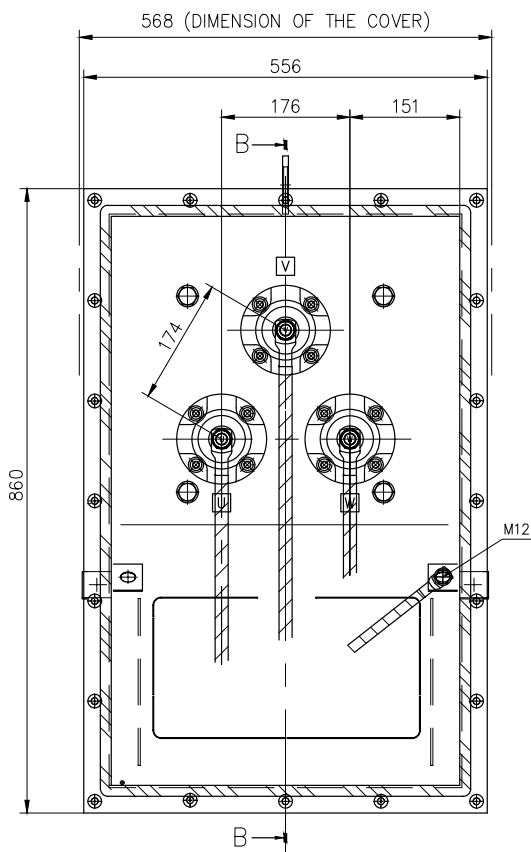
Materials:

Box	welded sheet steel (thickness min. 3 mm)
Cable gland plate	steel
Connection screws	bronze
Isolators	epoxy casting resin
Grounding pad	stainless steel

Other features:

- rigid welded construction
- ample size for connecting supply cables
- box turnable to allow cable entry from left or right
- box turnable in steps of 90°
- either 3-phase or 1-phase cables can be connected
- pressure relief plate in bottom of box in case of arcing short circuit

02 High voltage terminal box, max 11 kV/400 A. Dimensions in mm.

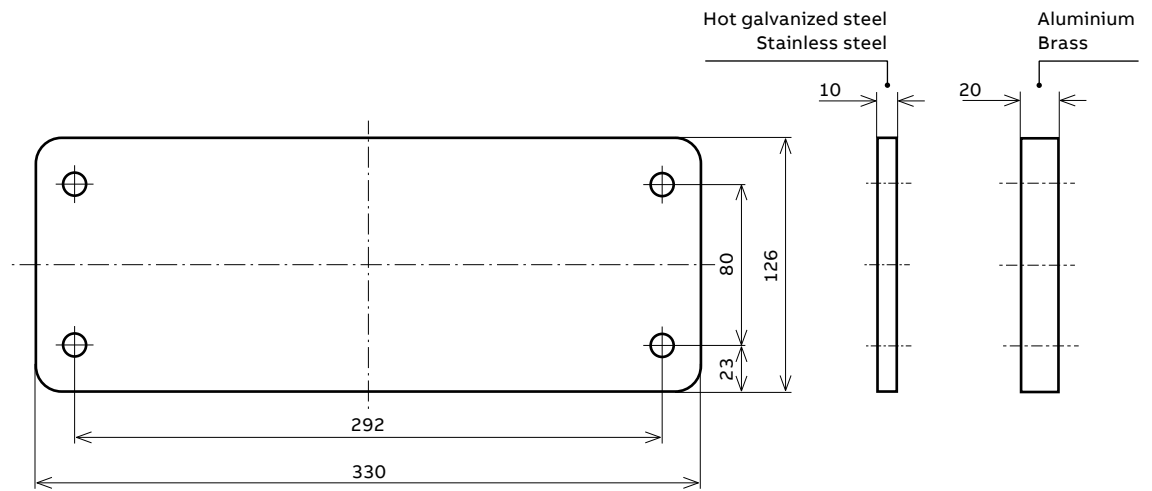


Main terminal boxes

Dimensions for terminal box inlet, blind flange

As standard, main terminal boxes are supplied with a blind flange.

03 Blind flange FL 33 for terminal box.



Auxiliary terminal boxes

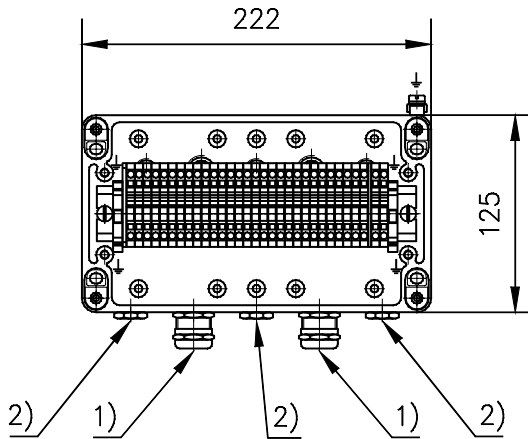
As standard, motors in safe areas are equipped with one common auxiliary terminal box for monitoring devices and space heaters.

Standard auxiliary terminal boxes

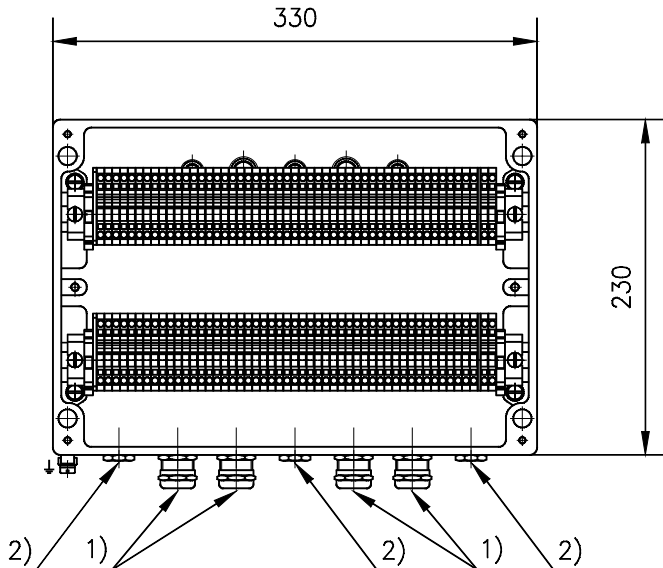
Type designation	Use	Size (H x D x W) mm
Small terminal box	Standard	125 x 81 x 222
Large terminal box	When additional space needed	230 x 180 x 330

Typical arrangements for standard terminal boxes are shown below. The number of terminal blocks depends on the number of accessories used with the motor.

04 Small terminal box with terminal blocks and cable glands.
 1) Cable gland M20x1.5 for cable outer diameter 10 to 14 mm (2 pcs)
 2) Threaded hole for cable gland M16x1.5 (3 pcs), plugged.



05 Large terminal box with terminal blocks and cable glands.
 1) Cable gland M20x1.5 for cable outer diameter 10 to 14 mm (4 pcs)
 2) Threaded hole for cable gland M16x1.5 (3 pcs), plugged.



Bearings

This chapter provides information about bearings for NXR and NMI motors.

Horizontal motors, antifriction bearings

Horizontal motors in frame sizes 315 to 500 have deep groove ball bearings at both ends. The NMI 560–630 has a double bearing arrangement (a deep groove ball bearing and cylindrical roller bearing) at the D-end and a cylindrical roller bearing at the N-end (only horizontal motor available). 2 pole motors in frame size 500–630 have sleeve bearings as standard solution.

The bearing at the D-end is axially locked in horizontal motors. Standard bearings for horizontal motors are listed in the table below and the bearing construction is shown in the figures on page 12.

The standard bearing solution is designed to carry the weight of a typical coupling half and the motor's rotor only. Any additional radial or axial force caused by the driven equipment may require specially constructed bearings.

Standard bearings for horizontal motors

Frame size	Poles	D-end	N-end
NXR 315	≥2	6317M/C3	6317M/C3
NXR 355	2	6317M/C3	6317M/C3
NXR 355	≥4	6319M/C3	6319M/C3
NXR 400	2	6317M/C3	6317M/C3
NXR 400	≥4	6324/C3	6319M/C3
NXR 450	2	6319M/C3	6319M/C3
NXR 450	≥4	6324/C3	6324/C3
NXR 500	2	Sleeve*)	Sleeve*)
NXR 500	≥4	6330M/C3	6330M/C3
NMI 355	2	6319M/C3	6319M/C3
NMI 355	≥4	6222/C3	6220/C3
NMI 400	2	6220M/C3	6220M/C3
NMI 400	≥4	6226/C3	6220/C3
NMI 450	2	6222M/C3	6222M/C3
NMI 450	≥4	6228/C3	6222/C3
NMI 500	2	Sleeve*)	Sleeve*)
NMI 500	≥4	6232M/C3	6228/C3
NMI 560	2	Sleeve*)	Sleeve*)
NMI 560	≥4	6038M/C3+NU1038M/C3	NU1034M/C3
NMI 630	2	Sleeve*)	Sleeve*)
NMI 630	4	6038M/C3+NU1038M/C3	NU1038M/C3
NMI 630	≥6	6044M/C3+NU1044M/C3	NU1044M/C3

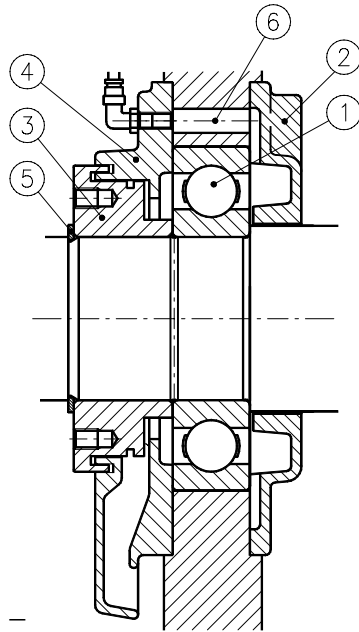
*) See section on sleeve bearings

Bearings

Standard bearing construction for horizontally mounted motors, frame sizes 315 to 500.

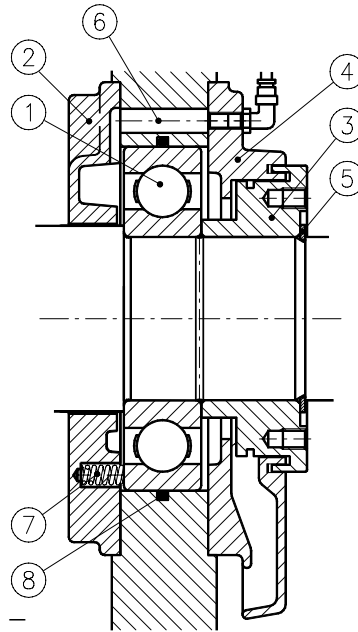
-
- 06
- 1 Groove ball bearing
- 2 Inner bearing cover
- 3 Grease valve
- 4 Outer bearing cover
- 5 Circlip
- 6 Hexagon screw
- 7 Spring
- 8 O-ring

D-end



—
06

N-end

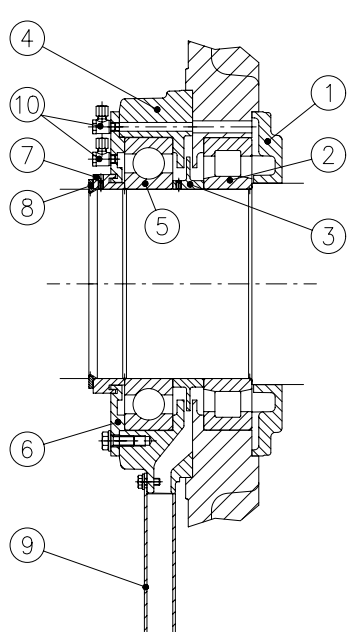


—
06

Standard bearing construction for horizontally mounted motors, frame sizes 560 to 630.

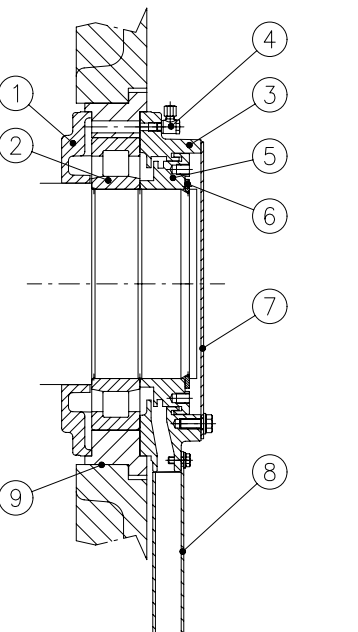
-
- 07
- 1 Inner bearing cover
- 2 Cylindrical roller bearing
- 3 Grease valve
- 4 Bearing housing
- 5 Deep groove ball bearing
- 6 Outer bearing cover
- 7 Labyrinth seal
- 8 Retaining ring
- 9 Waste grease box
- 10 Grease adapter

D-end



—
07

N-end



—
08

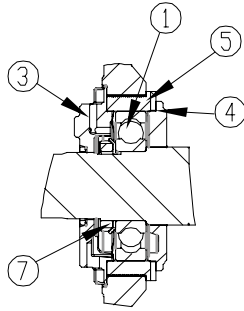
-
- 08
- 1 Inner bearing cover
- 2 Cylindrical roller bearing
- 3 Outer bearing cover
- 4 Grease adapter
- 5 Grease valve and labyrinth seal
- 6 Retaining ring
- 7 Cover plate
- 8 Waste grease box
- 9 Insulation

Bearings

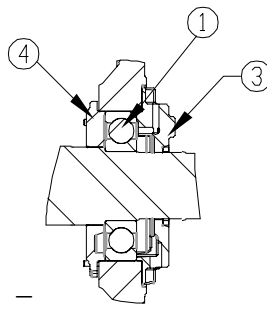
NEMA bearing construction

- 09
- 1 Ball bearing
- 2 Roller bearing
- 3 Outer cap
- 4 Inner cap
- 5 Bearing spacer
- 6 Spring washer
- 7 Locknut/washer

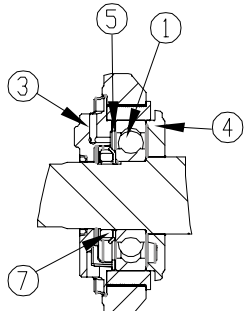
N-end axially free
"coupled"



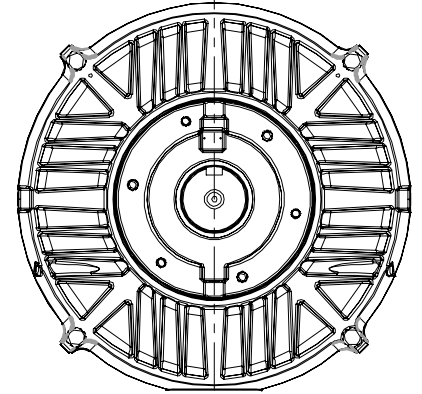
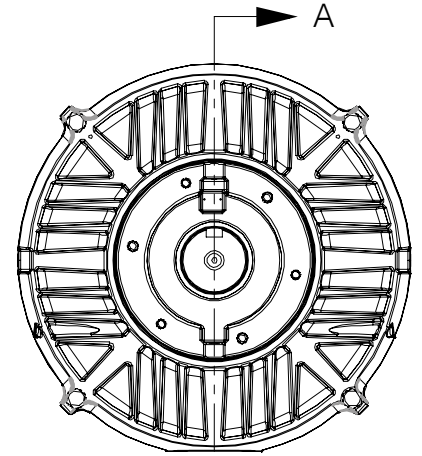
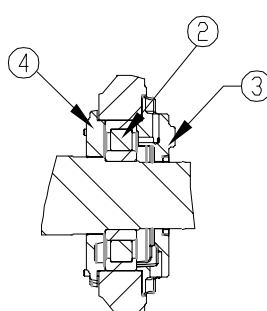
D-end axially
"coupled"



N-end axially locked
"belted"



D-end
"belted"



SECTION A-A

Bearings

Rated lifetime

Most standard bearings have a rated lifetime L10h in excess of 100,000 h. The lifetimes are calculated in accordance with ISO R 281-1.

The basic rated lifetime L10h is the number of hours at rated bearing load and speed that 90% of a group of identical bearings will complete or exceed before the first evidence of failure.

Lubrication intervals

The motors are fitted with grease nipple(s) at both ends for lubricating the bearings. The grease nipples are located on the top of the motor. The amount of grease and the greasing interval are stamped on the relubrication plate, and the same information is shown in the table below.

Relubrication intervals and grease amount for NXR motors

Bearing type	Amount of grease [g]	Lubrication intervals in running hours at different speeds [rpm]									
		3600	3000	1800	1500	1200	1000	900	750	600	≤ 500
6317	35	2200	3000	8000	8800	8800	8800	8800	8800	8800	8800
6319	45	1500 ¹⁾	2500 ¹⁾	6600	8800	8800	8800	8800	8800	8800	8800
6324	75	NA	NA	4400	5900	8000	8800	8800	8800	8800	8800
6330	100	NA	NA	3000	3600	5900	8000	8800	8800	8800	8800

¹⁾ Use synthetic grease only

Relubrication intervals and grease amount for NMI motors

Bearing type	Amount of grease [g]	Lubrication intervals in running hours at different speeds [rpm]			
		3000	1500	1000	750
6319	45	2200	8000	8800	8800
6220	30	2200	8800	8800	8800
6226	45	NA	5100	8800	8800
6222	38	1500	8800	8800	8800
6228	53	NA	3600	8000	8800
6232	70	NA	3000	6600	8800
_034	55	NA	5000	5000	8800
_038	70	NA	3000	5000	8800
_044	96	NA	3000	4400	6600

Horizontal motors, sleeve bearings

As standard, the axial float of the rotor is ± 8 mm from the mechanical center. The running center is located within the float area and therefore operation is also allowed while the motor is uncoupled eg, during test running. As standard, a pointer showing the running center with regard to the end limits is available. Continuous axial forces are not permitted and therefore a limiting type of coupling is needed to ensure the location of the rotor within the axial float range.

Sleeve bearings are generally self-cooled, oil ring lubricated but some require forced lubrication. Please see the lubrication table for next page for standard lubrication requirements based on a maximum 40°C ambient and 50 Hz operation. Consult ABB for ambient temperatures above 40°C, or for self-cooling of bearings where flood lubrication is standard. Units requiring flood lubrication are supplied with provisions only. Refer the oil supply pressure, type of oil, and location of provisions to the factory for review prior to order acceptance.

Bearings

Sleeve bearings and lubrication methods

Frame size	Poles	D-end bearing	N-end bearing	Lubrication method
NXR 355	2	EFNLB 9-80	EFNLQ 9-80	Self lubrication
NXR 355	≥4	EFNLB 9-90	EFNLQ 9-90	Self lubrication
NXR 400	2 (50 Hz)	EFNLB 9-80	EFNLQ 9-80	Self lubrication
NXR 400	2 (60 Hz)	EMNLB 9s-80	EMNLB 9s-80	Self lubrication
NXR 400	≥4	EFNLB 9-100	EFNLQ 9-100	Self lubrication
NXR 450	2	EMNLB 9s-80	EMNLB 9s-80	Self lubrication
NXR 450	4	EMNLB 9s-90	EMNLB 9s-90	Self lubrication
NXR 450	≥6	EMNLB 9s-100	EMNLB 9s-100	Self lubrication
NXR 500	2	EMZLB 9s-90	EMZLB 9s-90	Forced lubrication
NXR 500	≥4	EFNLB 14-125	EFNLB 11-125	Self lubrication
NMI 400	2	MNLB 9s-80	MNLB 9s-80	Self lubrication
NMI 450	2	MNLB 9s-80	MNLB 9s-80	Self lubrication
NMI 500	2	FZLB 9-100	FZLQ 9-100	Forced lubrication
NMI 500	≥4	FNLB 11-125	FNLQ 11-125	Self lubrication
NMI 560	2	MZLB 11-125	MZLB 11-125	Forced lubrication
NMI 560	4	FNLB 18-160	FNLQ 18-160	Self lubrication
NMI 560	≥6	FNLB 14-160	FNLQ 14-160	Self lubrication
NMI 630	2	MZLB 14-160	MZLB 14-160	Forced lubrication
NMI 630	4	FNLB 18-160	FNLQ 18-160	Self lubrication
NMI 630	≥6	FNLB 18-200	FNLQ 18-200	Self lubrication

Vertical motors, ball bearing construction

Standard vertical motors use deep groove ball bearings at the D-end and angular contact ball bearings at the N-end. The bearing at the D-end is axially free and preloaded by springs. The angular contact ball bearing at the N-end is the locating bearing and carries the weight of the rotor. The bearing construction is shown in the figures on page 16.

Additional axial force from the driven equipment is not allowed for vertical motors with a standard ball bearing arrangement.

The rated bearing lifetimes for vertical motors are calculated according to the heaviest rotor and the weakest bearing in the motor.

For standard vertical motors, the lubrication intervals are half of the corresponding horizontal motors. The amount of grease and greasing interval are stamped on the lubrication plate.

Vertical motors, thrust bearing construction

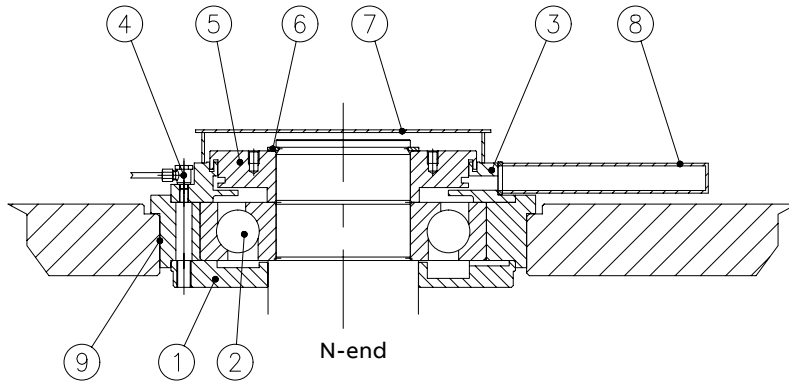
Vertical motors with thrust bearings are designed for applications where the motor has to take the thrust force from the driven equipment.

The permissible axial downward force depends on the specific bearing type, rotation speed, rotor weight, ambient temperature, lubrication method, etc. To enable ABB to select the appropriate bearing construction, contact us with information about the amount of thrust force and its direction, the expected bearing lifetime, and site temperature conditions and altitude.

Bearings

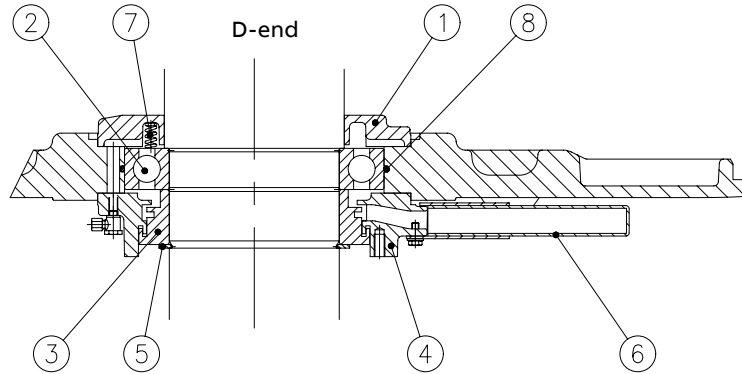
Standard bearing construction for vertical mounted motors

-
- 10
- 1 Inner bearing cover
- 2 Angular contact ball bearing
- 3 Outer bearing cover
- 4 Grease adapter
- 5 Grease valve and labyrinth seal
- 6 Retaining ring
- 7 Cover pate
- 8 Waste grease box
- 9 Insulation



—
10

-
- 11
- 1 Inner bearing cover
- 2 Deep groove ball bearing
- 3 Grease valve
- 4 Outer bearing cover
- 5 Retaining ring
- 6 Waste grease box
- 7 Spring
- 8 O-ring



—
11

Vibration

Standard design

The standard design machines that are manufactured based on the IEC-standard satisfy the Grade A bearing housing vibration, relative shaft vibration and combined runout limits found in IEC 60034-14. The maximum accepted values are shown in the table below.

Standard design unfiltered vibration limits for IEC machines

Poles	Speed [rpm]	Bearing housing vibration	Relative shaft vibration	Combined runout
2	1800 < n ≤ 3600	2.3 mm/s rms	65 μm p-p	16 μm p-p
		2.8 mm/s rms ^{*)}		
≥ 4	600 ≤ n ≤ 1800	2.3 mm/s rms	90 μm p-p	23 μm p-p
	n < 600	37 μm rms		

^{*)} This level is the limit when twice line frequency vibration level is dominant. A twice line frequency component is considered dominant when type test demonstrate it to be greater than 70 % of 2.3 mm/s (rms).

Machines based on NEMA

The standard machines that are manufactured based on the NEMA-standard satisfy the Grade A bearing housing vibration, relative shaft vibration and combined runout limits found in NEMA MG 1. The maximum accepted values are shown in the table below. For bearing housing vibrations, limits given in vibration velocity peak (in/s peak) apply for rotational speeds between 1200 – 3600 rpm. For rotational speeds below 1200 rpm, limits given in vibration displacement (mils p-p) apply.

Unfiltered vibration limits for NEMA standard design machines

Poles	Speed [rpm]	Bearing housing vibration	Relative shaft vibration	Combined runout
2	1800 < n ≤ 3600	0.12 in/s peak (3.0 mm/s peak)	2.6 mils p-p (66.0 μm p-p)	0.65 mils p-p (16.5 μm p-p)
4, 6	1200 ≤ n ≤ 1800	0.12 in/s peak (3.0 mm/s peak)	3.5 mils p-p (88.9 μm p-p)	0.88 mils p-p (22.3 μm p-p)
≥ 8	n < 1200	1.9 mils p-p (48.2 μm p-p)	3.5 mils p-p (88.9 μm p-p)	0.88 mils p-p (22.3 μm p-p)

Rib cooled motors, type NXR

More know-how per kilogram

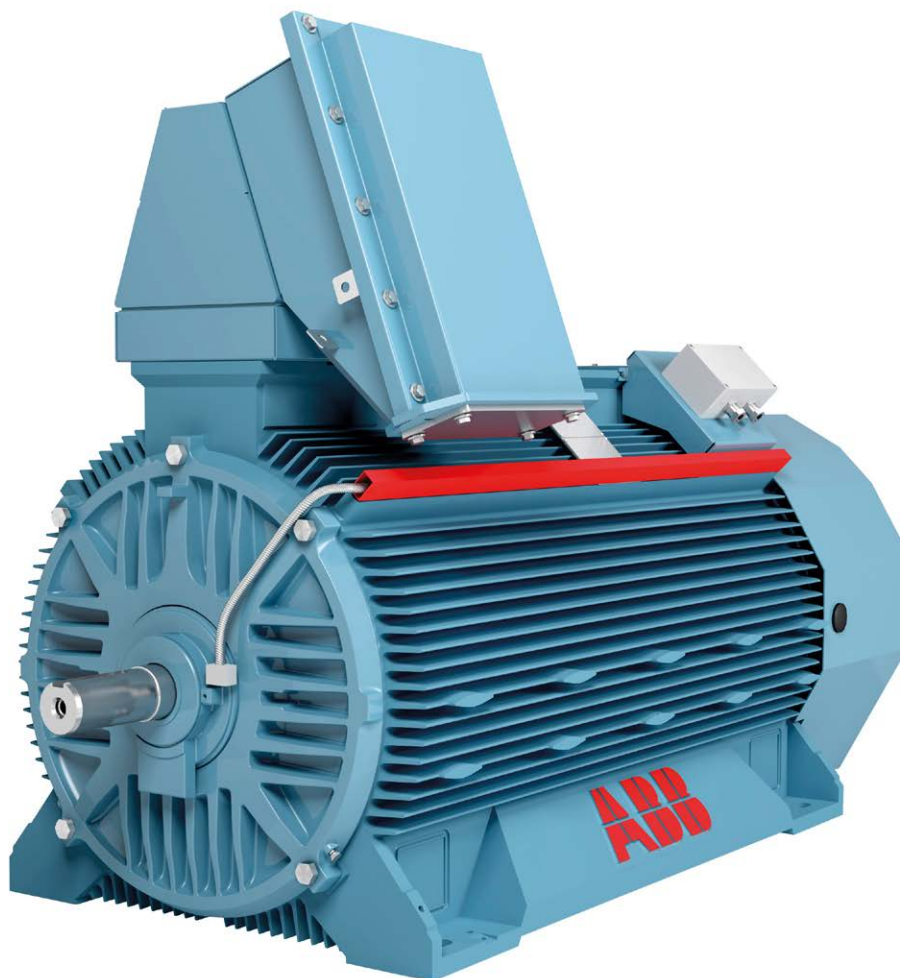
The latest generation of multipurpose rib cooled motors offers high power density, easy configurability and built-in serviceability. They incorporate experience ABB has gained over more than 130 years of manufacturing electric motors.

These motors set a benchmark for the industry, offering more watts per kilogram than has ever been achieved before with rib cooled motors. High power density means that for a given output you can often use a motor one frame size smaller than with conventional products. This helps to save space and enables more compact installations.

NXR motors have a rugged cast iron frame. They are rib cooled motors with IC411 cooling and IP55 protection as standard. The motors are also

available with IC416 cooling and optional IP66 protection. Their IP66 protection has been verified by a leading independent testing organization.

NXR motors cover the output range up to 1,800 kW, and they are available in shaft heights from 315 to 500 mm. The motors can be mounted horizontally (vertical mounting available for 2 poles up to shaft height 355). For NXR motors this catalog shows the technical data at 50 Hz and 60 Hz, and for synchronous speed from 500 to 3600 rpm.

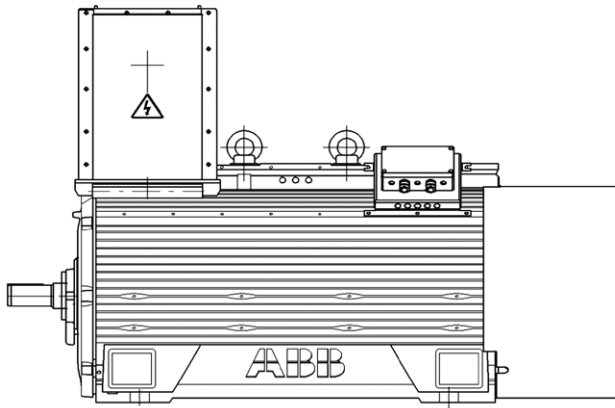


Rib cooled motors, type NXR

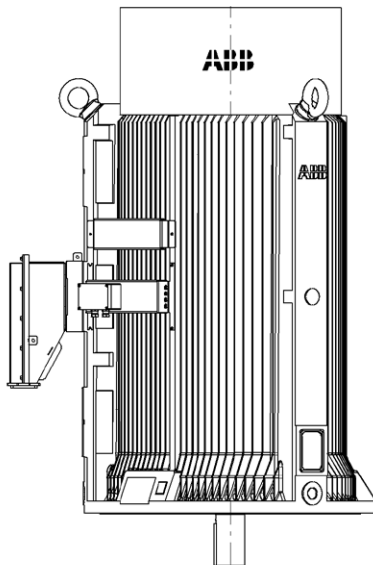
Mounting arrangements

Standard mounting arrangements for NXR motors

—
12 Code I: IM B3
Code II: IM 1001
Standard floor
mounting, feet
facing downwards
(horizontal foot
mounted)



—
13 Code I: IM V1
Code II: IM 4011
Flange and free shaft
end facing downwards
(vertical solid shaft,
flange mounted)



Rib cooled motors, type NXR

Enclosure and cooling

Standard combinations

IC411 / IP55

NXR motors have an external shaft mounted fan that uses the surrounding air for cooling. The motors are protected against dust and water jets. The operating principle of these motors is shown in diagram 14 below.

IC416 / IP55

NXR motors are available with IC416 cooling. An additional motor drives the cooling fan to produce the cooling required for low speed applications, especially in cases where the motor is fed via a variable speed drive.

Protection rating IP55

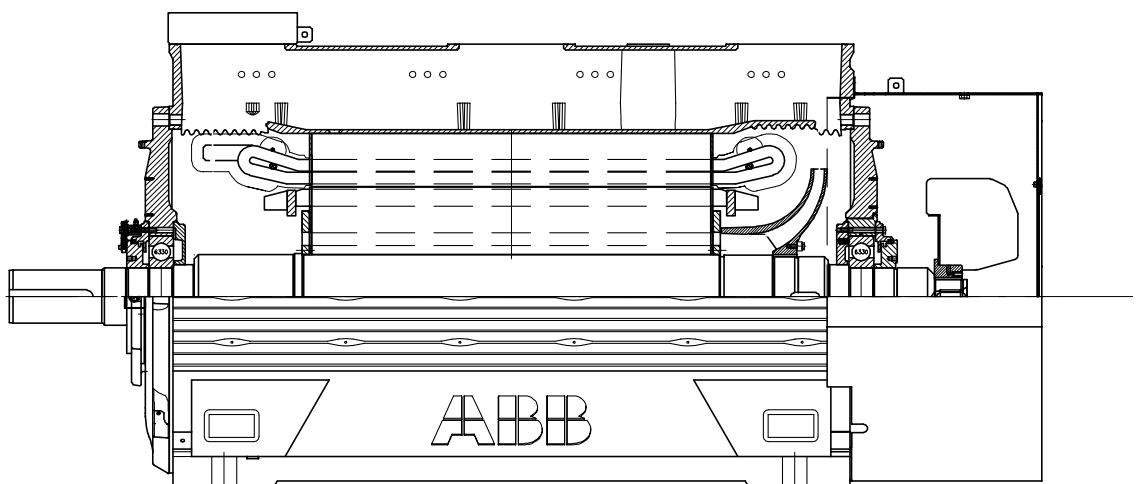
- Protection against dust: as in other dust-protected motors, some dust can enter but not in sufficient quantities to interfere with the motor's operation.
- Protection against water jets: water projected by a nozzle against the motor from any direction has no harmful effect.

Protection rating IP66

NXR motors are available with protection ratings up to IP66.

- Protection against dust: the enclosure is completely dust tight.
- Protection against water jets: water projected in powerful jets (12.5 mm nozzle) against the enclosure from any direction has no harmful effect.

14 Sectional drawing of IC411 / IP55 motor



Rib cooled motors, type NXR

Technical data

The technical data on pages 22 to 38 covers NXR motors with 2 to 6 poles.
Versions with 8, 10 and 12 poles are also available.

IP55, IC411, insulation class F, temperature rise class B
690 V, 50 Hz

Output [kW]	Motor type	Speed [r/min]	Efficiency		Power factor		I_N [A]	I_S I_N [pu]	T_N [Nm]	T_S T_N [pu]	T_{max} T_N [pu]	Rotor inertia [kgm ²]	Motor weight [kg]	Sound pressure level L_p [dB(A)]
			Full load 100 %	3/4 load 75 %	Full load 100 %	3/4 load 75 %								
3000/r min = 2 poles														
690 V 50 Hz														
250	NXR 315MB2	2972	95.8	95.9	0.91	0.90	240	5.7	803	0.7	2.3	1.9	1760	80
280	NXR 315MB2	2971	95.9	96.0	0.89	0.88	273	5.5	900	0.7	2.2	1.9	1770	80
315	NXR 315MC2	2968	95.9	96.1	0.90	0.90	302	5.1	1013	0.7	2.1	2.0	1800	80
355	NXR 315MD2	2971	96.1	96.4	0.91	0.90	339	5.5	1141	0.7	2.2	2.2	1890	80
390	NXR 315ME2	2972	96.3	96.4	0.90	0.89	375	5.9	1253	0.8	2.4	2.5	1970	80
415	NXR 315ME2	2981	96.6	96.7	0.90	0.90	396	5.9	1329	0.7	2.3	3.5	2030	80
450	NXR 355MF2	2970	96.1	96.2	0.91	0.90	430	6.0	1447	0.9	2.3	4.3	2440	80
500	NXR 355MG2	2967	96.1	96.3	0.92	0.92	470	6.0	1609	1.0	2.4	4.8	2570	80
550	NXR 355MG2	2982	96.7	96.8	0.92	0.92	512	6.0	1761	0.7	2.3	6.2	2640	80
560	NXR 400ME2	2974	96.4	96.4	0.91	0.90	533	5.8	1798	0.8	2.3	7.1	3110	81
630	NXR 400MG2	2973	96.5	96.5	0.90	0.90	602	5.9	2023	0.8	2.2	8.3	3370	81
710	NXR 400MJ2	2975	96.7	96.7	0.91	0.91	671	6.0	2279	0.8	2.3	8.6	3470	81
800	NXR 400MK2	2977	96.8	96.9	0.92	0.91	751	6.3	2566	0.9	2.4	9.1	3620	81
850	NXR 400MK2	2985	97.1	97.2	0.91	0.91	796	6.1	2719	0.7	2.2	11.8	3730	81
900	NXR 450MK2	2977	96.8	96.8	0.90	0.90	856	5.4	2887	0.6	2.2	15.9	5130	81
1000	NXR 450MM2	2982	97.0	97.0	0.91	0.90	946	6.0	3202	0.5	2.4	16.7	5350	81
1070	NXR 450MN2	2982	97.0	97.1	0.92	0.91	1001	6.1	3426	0.6	2.5	16.9	5460	81
1120	NXR 450MN2	2988	97.3	97.3	0.92	0.92	1040	6.1	3579	0.5	2.4	22.8	5640	81
1250	NXR 500MM2	2984	97.0	97.0	0.94	0.94	1146	6.0	4000	0.6	2.4	23.4	6650	81
1280	NXR 500MM2	2987	97.1	97.1	0.93	0.94	1177	5.8	4093	0.6	2.2	32.9	6870	81

Rib cooled motors, type NXR

Technical data

IP55, IC411, insulation class F, temperature rise class B
690 V, 50 Hz

Output [kW]	Motor type	Speed [r/min]	Efficiency		Power factor		I_N [A]	I_S I_N [pu]	T_N [Nm]	T_S T_N [pu]	T_{max} T_N [pu]	Rotor inertia [kgm ²]	Motor weight [kg]	Sound pressure level L_p [dB(A)]
			Full load 100 %	3/4 load 75 %	Full load 100 %	3/4 load 75 %								
1500/r min = 4 poles														
690 V 50 Hz														
280	NXR 315MC4	1491	96.2	96.1	0.84	0.80	289	6.2	1793	0.7	2.4	4.6	1880	76
315	NXR 315MC4	1490	96.2	96.2	0.86	0.83	320	5.6	2019	0.7	2.1	4.7	1900	76
355	NXR 315MC4	1490	96.2	96.3	0.85	0.82	362	5.7	2276	0.7	2.2	4.8	1910	76
380	NXR 315MD4	1490	96.3	96.4	0.84	0.80	392	6.0	2435	0.7	2.3	5.0	1950	76
420	NXR 315ME4	1490	96.5	96.5	0.85	0.82	427	6.0	2691	0.7	2.3	5.6	2040	76
450	NXR 355MF4	1484	96.1	96.2	0.85	0.82	460	5.6	2896	1.0	2.2	6.3	2430	76
500	NXR 355MH4	1485	96.2	96.2	0.84	0.81	516	5.9	3215	1.1	2.3	6.8	2530	76
550	NXR 355MH4	1490	96.5	96.5	0.85	0.82	560	5.8	3524	0.8	2.1	8.8	2620	76
630	NXR 400MF4	1487	96.2	96.1	0.85	0.82	648	5.9	4047	1.0	2.2	11.6	3180	81
710	NXR 400MH4	1487	96.3	96.3	0.85	0.82	727	5.8	4560	1.0	2.1	13.3	3420	81
800	NXR 400ML4	1488	96.4	96.4	0.84	0.81	828	6.0	5134	1.0	2.1	15.0	3640	81
870	NXR 400ML4	1492	96.7	96.6	0.85	0.83	888	6.0	5569	0.9	2.0	18.8	3760	81
900	NXR 450MJ4	1488	96.6	96.6	0.88	0.87	881	5.8	5776	0.8	2.2	23.4	4840	81
1000	NXR 450ML4	1490	96.7	96.7	0.87	0.84	997	6.0	6411	0.8	2.3	25.3	5050	81
1120	NXR 450MM4	1490	96.8	96.7	0.86	0.83	1130	6.1	7179	0.8	2.3	28.2	5360	81
1200	NXR 450MM4	1494	97.0	96.9	0.86	0.84	1202	6.0	7670	0.6	2.2	36.3	5550	81
1250	NXR 500MK4	1489	96.9	96.9	0.89	0.88	1209	5.4	8017	0.6	2.1	33.8	6380	81
1400	NXR 500MM4	1491	97.0	96.9	0.87	0.85	1381	6.0	8969	0.7	2.3	38.6	6750	81
1500	NXR 500MP4	1490	97.1	97.1	0.90	0.88	1442	6.0	9613	0.7	2.3	42.3	7110	81
1600	NXR 500MP4	1494	97.2	97.2	0.90	0.89	1530	5.7	10230	0.6	2.1	58.6	7400	81

Rib cooled motors, type NXR

Technical data

IP55, IC411, insulation class F, temperature rise class B
690 V, 50 Hz

Output [kW]	Motor type	Speed [r/min]	Efficiency		Power factor		I_N [A]	I_S I_N [pu]	T_N [Nm]	T_S T_N [pu]	T_{max} T_N [pu]	Rotor inertia [kgm ²]	Motor weight [kg]	Sound pressure level L_p [dB(A)]
			Full load 100 %	3/4 load 75 %	Full load 100 %	3/4 load 75 %								
1000/r min = 6 poles														
690 V 50 Hz														
250	NXR 315MD6	991	95.9	95.9	0.78	0.73	279	5.2	2408	0.8	2.1	4.8	1910	73
280	NXR 315MD6	991	95.9	96.1	0.79	0.74	309	5.0	2698	0.8	2.0	5.0	1950	73
325	NXR 315ME6	992	96.1	96.2	0.78	0.73	362	5.3	3130	0.8	2.1	5.7	2060	73
400	NXR 355MH6	988	95.6	95.6	0.79	0.73	446	5.6	3867	1.1	2.3	7.2	2600	74
450	NXR 355MH6	992	96.1	96.1	0.80	0.75	489	5.3	4332	0.8	2.1	9.3	2680	74
500	NXR 400MH6	991	96.1	96.1	0.85	0.82	513	5.9	4817	0.9	2.2	17.7	3210	74
560	NXR 400MK6	992	96.2	96.1	0.84	0.80	582	6.3	5390	1.0	2.3	19.8	3390	74
630	NXR 400ML6	993	96.2	96.1	0.82	0.78	667	6.1	6060	0.9	2.3	23.2	3700	74
675	NXR 400ML6	995	96.5	96.3	0.84	0.80	700	6.1	6477	0.7	2.1	30.2	3870	74
710	NXR 450MH6	992	96.5	96.5	0.85	0.82	721	5.9	6836	0.8	2.3	31.5	4670	77
800	NXR 450MK6	992	96.6	96.6	0.86	0.83	807	5.9	7701	0.8	2.3	35.6	4960	77
930	NXR 450MP6	992	96.7	96.8	0.87	0.85	920	6.0	8955	0.9	2.2	42.3	5440	77
1000	NXR 450MP6	995	96.9	97.0	0.88	0.86	984	5.9	9601	0.8	2.0	55.2	5680	77
1100	NXR 500ML6	992	96.8	96.8	0.87	0.84	1096	5.9	10589	0.8	2.3	51.1	6460	77
1250	NXR 500MP6	993	96.9	96.9	0.86	0.83	1251	6.1	12026	0.9	2.4	58.3	6920	77
1400	NXR 500MR6	994	97.0	97.0	0.84	0.80	1438	6.1	13456	0.8	2.4	66.4	7450	77
1550	NXR 500MR6	996	97.2	97.2	0.86	0.83	1555	6.0	14866	0.6	2.2	87.4	7770	77

Rib cooled motors, type NXR

Technical data

IP55, IC411, insulation class F, temperature rise class B
3000 V, 50 Hz

Output [kW]	Motor type	Speed [r/min]	Efficiency		Power factor		I_N [A]	I_s I_N [pu]	T_N [Nm]	T_s T_N [pu]	T_{max} T_N [pu]	Rotor inertia [kgm ²]	Motor weight [kg]	Sound pressure level L_p [dB(A)]
			Full load 100 %	3/4 load 75 %	Full load 100 %	3/4 load 75 %								
3000/r min = 2 poles														
3000 V 50 Hz														
125	NXR 315MA2	2972	94.7	94.4	0.91	0.90	28	5.7	402	0.7	2.4	1.7	1670	80
160	NXR 315MA2	2968	94.9	94.9	0.91	0.91	35	5.5	515	0.7	2.3	1.7	1670	80
200	NXR 315MA2	2965	95.1	95.2	0.91	0.91	44	5.2	644	0.7	2.1	1.7	1680	80
250	NXR 315MB2	2968	95.5	95.7	0.90	0.89	56	5.3	804	0.7	2.2	1.8	1710	80
280	NXR 315MB2	2969	95.7	95.9	0.90	0.89	62	5.6	901	0.7	2.3	2.0	1760	80
315	NXR 315MC2	2970	95.9	96.1	0.90	0.89	70	5.6	1013	0.7	2.3	2.2	1840	80
355	NXR 315MD2	2972	96.1	96.3	0.90	0.89	78	5.8	1141	0.7	2.3	2.4	1920	80
380	NXR 315ME2	2973	96.2	96.4	0.91	0.90	84	5.7	1221	0.7	2.3	2.7	2000	80
400	NXR 315ME2	2981	96.5	96.6	0.91	0.90	87	5.8	1281	0.7	2.2	3.7	2070	80
450	NXR 355ME2	2973	96.1	96.2	0.91	0.90	99	6.0	1445	0.8	2.3	4.0	2350	80
500	NXR 355MF2	2973	96.2	96.4	0.91	0.90	109	6.0	1606	0.8	2.4	4.3	2440	80
530	NXR 355MG2	2974	96.4	96.4	0.91	0.90	116	6.1	1702	0.8	2.4	4.6	2540	80
560	NXR 355MG2	2982	96.6	96.7	0.91	0.90	122	6.0	1793	0.7	2.2	6.1	2610	80
630	NXR 400MF2	2976	96.5	96.6	0.91	0.91	137	5.8	2022	0.8	2.3	7.5	3200	81
710	NXR 400MH2	2978	96.7	96.8	0.92	0.92	153	6.0	2277	0.8	2.3	8.4	3430	81
800	NXR 400MK2	2977	96.8	96.9	0.92	0.92	172	6.1	2566	0.9	2.3	9.4	3670	81
840	NXR 400ML2	2978	96.9	96.9	0.91	0.91	182	6.2	2693	0.8	2.3	9.8	3750	81
900	NXR 400ML2	2986	97.2	97.2	0.91	0.91	194	6.1	2878	0.7	2.2	12.6	3870	81
1000	NXR 450MM2	2980	96.9	96.9	0.92	0.91	216	6.1	3204	0.7	2.5	16.7	5300	81
1100	NXR 450MN2	2981	97.0	97.0	0.91	0.90	239	6.3	3524	0.7	2.5	18.1	5540	81
1130	NXR 450MN2	2986	97.2	97.1	0.90	0.90	246	6.1	3614	0.6	2.3	22.8	5700	81
1250	NXR 500MN2	2983	96.9	96.9	0.92	0.92	267	5.8	4001	0.6	2.2	25.3	6740	81
1500	NXR 500MR2	2984	97.1	97.1	0.92	0.92	320	6.0	4800	0.6	2.2	30.4	7470	81
1550	NXR 500MR2	2987	97.3	97.2	0.92	0.92	332	5.9	4955	0.6	2.1	39.2	7690	81

Rib cooled motors, type NXR

Technical data

IP55, IC411, insulation class F, temperature rise class B
3000 V, 50 Hz

Output [kW]	Motor type	Speed [r/min]	Efficiency		Power factor		I_N [A]	I_s I_N [pu]	T_N [Nm]	T_s T_N [pu]	T_{max} T_N [pu]	Rotor inertia [kgm ²]	Motor weight [kg]	Sound pressure level L_p [dB(A)]
			Full load 100 %	3/4 load 75 %	Full load 100 %	3/4 load 75 %								
1500/r min = 4 poles														
3000 V 50 Hz														
125	NXR 315MA4	1481	94.5	94.4	0.85	0.82	30	5.3	806	0.9	2.2	2.8	1650	76
160	NXR 315MA4	1482	94.9	94.8	0.83	0.79	39	5.7	1031	1.0	2.3	2.8	1650	76
200	NXR 315MA4	1481	95.0	95.1	0.83	0.79	49	5.7	1290	1.0	2.3	2.8	1660	76
224	NXR 315MB4	1481	95.2	95.2	0.83	0.79	54	5.7	1445	1.0	2.3	3.0	1700	76
250	NXR 315MB4	1481	95.4	95.4	0.83	0.78	61	5.8	1611	1.1	2.3	3.2	1750	76
280	NXR 315MC4	1481	95.4	95.5	0.84	0.80	67	5.8	1805	1.1	2.3	3.6	1800	76
315	NXR 315MD4	1481	95.6	95.8	0.85	0.82	75	5.9	2031	1.1	2.3	4.0	1900	76
360	NXR 315ME4	1482	95.8	95.9	0.84	0.80	86	5.9	2319	1.1	2.3	4.5	2000	76
400	NXR 315ME4	1490	96.2	96.3	0.84	0.81	95	5.7	2564	0.9	2.0	5.7	2060	76
450	NXR 355MF4	1484	95.9	95.9	0.85	0.82	106	5.7	2895	1.0	2.2	6.4	2430	79
530	NXR 355MH4	1486	96.1	96.1	0.85	0.81	125	6.1	3407	1.1	2.3	7.4	2610	79
570	NXR 355MH4	1489	96.3	96.3	0.85	0.83	133	5.9	3654	1.0	2.1	9.4	2700	79
630	NXR 400MG4	1487	96.3	96.2	0.87	0.84	145	6.0	4045	0.9	2.3	11.9	3260	81
710	NXR 400MJ4	1487	96.4	96.4	0.88	0.85	162	5.9	4560	0.9	2.3	13.6	3490	81
800	NXR 400MM4	1487	96.5	96.5	0.88	0.86	181	5.9	5138	0.9	2.2	15.4	3760	81
900	NXR 400MM4	1492	96.8	96.8	0.88	0.87	203	6.0	5760	0.8	2.0	20.5	3910	81
1000	NXR 450ML4	1489	96.7	96.6	0.87	0.84	230	5.9	6412	0.8	2.2	26.8	5150	81
1120	NXR 450MP4	1490	96.8	96.7	0.86	0.83	260	5.9	7177	0.8	2.2	30.1	5500	81
1200	NXR 450MP4	1494	97.0	96.8	0.86	0.84	275	6.0	7672	0.7	2.1	38.5	5710	81
1250	NXR 500MK4	1490	96.9	96.8	0.88	0.85	284	5.9	8010	0.7	2.3	34.4	6340	81
1400	NXR 500MN4	1490	97.0	96.9	0.88	0.86	314	5.9	8972	0.7	2.3	39.1	6750	81
1500	NXR 500MP4	1491	97.0	97.0	0.88	0.85	340	5.9	9609	0.7	2.2	42.9	7070	81
1650	NXR 500MR4	1491	97.1	97.0	0.87	0.85	375	6.1	10565	0.7	2.3	47.3	7440	81
1750	NXR 500MR4	1495	97.2	97.1	0.88	0.86	393	6.2	11182	0.6	2.2	63.0	7730	81

Rib cooled motors, type NXR

Technical data

IP55, IC411, insulation class F, temperature rise class B
3000 V, 50 Hz

Output [kW]	Motor type	Speed [r/min]	Efficiency		Power factor		I_N [A]	I_s I_N [pu]	T_N [Nm]	T_s T_N [pu]	T_{max} T_N [pu]	Rotor inertia [kgm ²]	Motor weight [kg]	Sound pressure level L_p [dB(A)]
			Full load 100 %	3/4 load 75 %	Full load 100 %	3/4 load 75 %								
1000/r min = 6 poles														
3000 V 50 Hz														
125	NXR 315MA6	986	94.6	94.6	0.78	0.73	32	5.2	1210	1.0	2.3	2.7	1640	73
160	NXR 315MB6	986	94.8	94.9	0.78	0.72	42	5.2	1549	1.0	2.3	3.0	1690	73
200	NXR 315MC6	987	95.1	95.2	0.77	0.70	53	5.4	1935	1.1	2.3	3.4	1780	73
224	NXR 315MD6	987	95.3	95.4	0.77	0.71	59	5.5	2167	1.1	2.3	3.8	1870	73
250	NXR 315ME6	986	95.2	95.4	0.79	0.74	64	5.2	2421	1.0	2.2	4.1	1930	73
280	NXR 315MF6	987	95.4	95.6	0.78	0.72	72	5.5	2709	1.1	2.3	4.5	2020	73
315	NXR 315MF6	992	95.9	96.0	0.80	0.75	79	5.3	3034	0.8	2.0	6.0	2080	73
355	NXR 355MG6	987	95.3	95.4	0.80	0.75	89	5.3	3434	1.0	2.2	6.9	2500	74
380	NXR 355MH6	987	95.4	95.5	0.80	0.75	96	5.4	3675	1.0	2.2	7.4	2590	74
420	NXR 355MH6	991	95.8	95.9	0.81	0.78	104	5.0	4048	0.9	1.8	9.5	2670	74
450	NXR 400MG6	992	95.9	95.9	0.85	0.81	107	5.9	4333	0.9	2.2	17.7	3180	74
500	NXR 400MJ6	993	96.0	95.9	0.82	0.78	122	6.0	4809	0.8	2.3	20.2	3400	74
560	NXR 400ML6	993	96.1	96.0	0.83	0.79	135	6.1	5387	0.8	2.3	22.8	3630	74
630	NXR 400MM6	994	96.3	96.3	0.85	0.83	148	5.9	6050	0.9	1.9	30.4	3850	74
710	NXR 450MJ6	992	96.4	96.4	0.86	0.82	166	5.9	6834	0.8	2.3	32.7	4700	77
800	NXR 450ML6	992	96.5	96.6	0.87	0.85	183	5.9	7704	0.9	2.3	37.8	5050	77
950	NXR 450MP6	993	96.7	96.7	0.85	0.82	222	6.0	9138	0.8	2.3	43.7	5490	77
1000	NXR 450MP6	995	96.8	96.8	0.86	0.84	231	5.8	9599	0.8	2.1	55.9	5730	77
1120	NXR 500MM6	993	96.8	96.8	0.83	0.79	268	5.9	10766	0.8	2.4	51.4	6500	77
1250	NXR 500MP6	994	96.9	96.9	0.83	0.78	300	6.0	12012	0.8	2.4	58.4	6910	77
1450	NXR 500MS6	994	97.0	97.0	0.83	0.79	345	6.0	13933	0.8	2.4	69.7	7600	77
1570	NXR 500MS6	996	97.2	97.2	0.85	0.82	365	6.1	15053	0.7	2.2	92.7	7950	77

Rib cooled motors, type NXR

Technical data

IP55, IC411, insulation class F, temperature rise class B
6000 V, 50 Hz

Output [kW]	Motor type	Speed [r/min]	Efficiency		Power factor		I_N [A]	I_s I_N [pu]	T_N [Nm]	T_s T_N [pu]	T_{max} T_N [pu]	Rotor inertia [kgm ²]	Motor weight [kg]	Sound pressure level L_p [dB(A)]
			Full load 100 %	3/4 load 75 %	Full load 100 %	3/4 load 75 %								
3000/r min = 2 poles														
6000 V 50 Hz														
160	NXR 315MB2	2974	94.7	94.4	0.86	0.82	19	6.5	514	0.9	2.9	2.1	1720	80
180	NXR 315MB2	2970	94.7	94.6	0.87	0.84	21	6.0	579	0.9	2.6	2.1	1720	80
200	NXR 315MB2	2968	94.8	94.8	0.88	0.86	23	5.8	643	0.8	2.4	2.1	1720	80
224	NXR 315MB2	2971	95.0	95.1	0.89	0.87	25	5.8	720	0.8	2.3	2.0	1720	80
250	NXR 315MC2	2968	95.3	95.4	0.89	0.87	28	5.8	804	0.9	2.3	2.2	1770	80
280	NXR 315MC2	2969	95.5	95.6	0.89	0.88	31	5.7	900	0.8	2.2	2.3	1800	80
315	NXR 315MD2	2971	95.7	95.9	0.89	0.88	35	6.0	1012	0.9	2.3	2.5	1890	80
355	NXR 315ME2	2975	96.0	96.2	0.90	0.88	39	6.0	1139	0.7	2.3	2.6	1950	80
370	NXR 315ME2	2983	96.2	96.4	0.90	0.89	41	5.9	1185	0.7	2.2	3.6	2010	80
400	NXR 355ME2	2970	95.7	95.9	0.91	0.90	44	5.9	1286	0.9	2.3	4.0	2290	80
450	NXR 355MF2	2971	95.9	96.0	0.90	0.89	50	6.0	1446	0.9	2.3	4.5	2420	80
500	NXR 355MG2	2974	96.1	96.2	0.90	0.89	55	6.0	1606	0.8	2.3	4.7	2510	80
530	NXR 355MG2	2983	96.5	96.5	0.91	0.90	58	6.1	1696	0.7	2.2	6.1	2590	80
560	NXR 400MF2	2975	96.3	96.4	0.91	0.91	61	5.8	1797	0.8	2.2	7.5	3170	81
630	NXR 400MG2	2977	96.5	96.6	0.92	0.92	68	5.9	2021	0.8	2.3	7.9	3280	81
700	NXR 400MJ2	2979	96.6	96.7	0.92	0.91	76	6.0	2244	0.8	2.3	8.9	3500	81
770	NXR 400ML2	2978	96.7	96.8	0.92	0.92	83	6.1	2469	0.9	2.3	9.6	3680	81
800	NXR 400ML2	2984	96.9	97.0	0.92	0.93	85	6.0	2560	0.7	2.2	12.7	3810	81
900	NXR 450MK2	2980	96.7	96.8	0.91	0.91	98	5.9	2884	0.6	2.4	15.6	5030	81
1000	NXR 450MM2	2980	96.8	96.9	0.90	0.90	110	5.9	3204	0.6	2.4	17.5	5330	81
1050	NXR 450MN2	2982	96.9	96.9	0.90	0.89	115	6.5	3362	0.7	2.6	18.1	5460	81
1100	NXR 450MN2	2986	97.1	97.1	0.90	0.90	120	6.3	3517	0.6	2.4	22.6	5610	81
1250	NXR 500MP2	2984	96.9	96.8	0.92	0.92	134	5.9	4000	0.6	2.3	26.9	6880	81
1450	NXR 500MR2	2985	97.1	97.0	0.92	0.92	155	6.1	4639	0.6	2.3	30.1	7370	81
1500	NXR 500MR2	2988	97.2	97.1	0.92	0.92	161	6.0	4795	0.6	2.1	38.8	7580	81

Rib cooled motors, type NXR

Technical data

IP55, IC411, insulation class F, temperature rise class B
6000 V, 50 Hz

Output [kW]	Motor type	Speed [r/min]	Efficiency		Power factor		I_N [A]	I_s I_N [pu]	T_N [Nm]	T_s T_N [pu]	T_{max} T_N [pu]	Rotor inertia [kgm ²]	Motor weight [kg]	Sound pressure level L_p [dB(A)]
			Full load 100 %	3/4 load 75 %	Full load 100 %	3/4 load 75 %								
1500/r min = 4 poles														
6000 V 50 Hz														
160	NXR 315MB4	1483	94.3	94.0	0.77	0.70	21	6.0	1030	1.0	2.6	3.1	1680	76
200	NXR 315MB4	1484	94.7	94.6	0.81	0.76	25	6.0	1287	1.1	2.4	3.0	1670	76
224	NXR 315MC4	1483	95.0	95.0	0.82	0.78	28	5.9	1443	1.1	2.3	3.3	1730	76
250	NXR 315MC4	1484	95.2	95.2	0.82	0.77	31	5.9	1609	1.1	2.3	3.4	1770	76
280	NXR 315MD4	1483	95.3	95.4	0.84	0.80	34	5.9	1803	1.2	2.3	3.7	1820	76
315	NXR 315ME4	1484	95.6	95.6	0.82	0.77	39	5.9	2026	1.1	2.3	4.1	1910	76
340	NXR 315ME4	1486	95.8	95.8	0.81	0.76	42	6.1	2185	1.0	2.4	4.2	1950	76
370	NXR 315ME4	1490	96.0	96.0	0.83	0.79	45	6.1	2371	0.9	2.3	5.6	2020	76
400	NXR 355MF4	1485	95.6	95.6	0.85	0.82	47	6.0	2572	1.1	2.3	6.2	2360	79
450	NXR 355MG4	1486	95.8	95.8	0.84	0.80	54	6.0	2892	1.0	2.3	6.9	2490	79
480	NXR 355MH4	1486	95.8	95.8	0.83	0.79	58	6.2	3084	1.1	2.4	7.3	2560	79
530	NXR 355MH4	1490	96.1	96.0	0.84	0.81	63	6.0	3396	1.0	2.1	9.2	2640	79
560	NXR 400MF4	1487	96.0	96.0	0.88	0.87	63	5.8	3597	0.8	2.2	11.0	3090	81
630	NXR 400MH4	1488	96.2	96.2	0.88	0.85	72	6.0	4043	0.8	2.2	12.3	3280	81
710	NXR 400MK4	1488	96.4	96.4	0.88	0.86	81	5.9	4557	0.8	2.2	13.7	3490	81
780	NXR 400ML4	1489	96.5	96.5	0.87	0.85	89	5.9	5004	0.8	2.2	15.0	3680	81
850	NXR 400ML4	1493	96.7	96.7	0.88	0.86	97	5.9	5438	0.7	2.0	20.1	3840	81
900	NXR 450MK4	1489	96.6	96.5	0.87	0.85	103	5.9	5771	0.8	2.2	24.2	4880	81
1000	NXR 450MM4	1490	96.6	96.5	0.85	0.82	117	5.9	6407	0.8	2.2	27.9	5210	81
1080	NXR 450MN4	1490	96.6	96.5	0.85	0.82	127	5.8	6922	0.8	2.1	29.9	5410	81
1170	NXR 450MN4	1494	96.9	96.7	0.86	0.83	135	6.0	7479	0.7	2.1	37.7	5600	81
1250	NXR 500ML4	1490	96.8	96.8	0.88	0.85	142	5.9	8010	0.7	2.3	34.8	6340	81
1400	NXR 500MN4	1491	96.9	96.9	0.88	0.85	159	6.1	8968	0.7	2.3	40.7	6810	81
1600	NXR 500MR4	1492	97.0	97.0	0.87	0.84	183	6.3	10243	0.7	2.4	47.0	7350	81
1700	NXR 500MR4	1495	97.2	97.0	0.88	0.85	192	6.3	10861	0.6	2.3	62.4	7640	81

Rib cooled motors, type NXR

Technical data

IP55, IC411, insulation class F, temperature rise class B
6000 V, 50 Hz

Output [kW]	Motor type	Speed [r/min]	Efficiency		Power factor		I_N [A]	I_s I_N [pu]	T_N [Nm]	T_s T_N [pu]	T_{max} T_N [pu]	Rotor inertia [kgm ²]	Motor weight [kg]	Sound pressure level L_p [dB(A)]
			Full load 100 %	3/4 load 75 %	Full load 100 %	3/4 load 75 %								
1000/r min = 6 poles														
6000 V 50 Hz														
140	NXR 315MD6	989	94.4	94.0	0.72	0.63	20	6.2	1352	1.1	3.1	3.8	1820	73
160	NXR 315MD6	988	94.4	94.3	0.75	0.68	22	6.0	1547	1.1	2.8	3.8	1820	73
180	NXR 315MD6	987	94.5	94.5	0.76	0.69	24	6.0	1742	1.1	2.7	4.0	1860	73
200	NXR 315ME6	987	94.7	94.7	0.76	0.69	27	6.1	1936	1.2	2.8	4.2	1900	73
240	NXR 315ME6	988	95.0	95.1	0.77	0.71	32	5.7	2320	1.1	2.4	4.3	1940	73
265	NXR 315ME6	992	95.4	95.5	0.79	0.73	34	5.5	2550	0.9	2.2	5.7	2000	73
280	NXR 355MF6	988	94.9	94.9	0.80	0.74	36	5.5	2707	1.0	2.3	6.3	2340	74
315	NXR 355MH6	989	95.1	95.1	0.79	0.73	40	5.7	3043	1.1	2.4	7.0	2490	74
350	NXR 355MH6	989	95.2	95.2	0.79	0.73	45	5.8	3381	1.1	2.4	7.3	2550	74
380	NXR 355MH6	992	95.5	95.5	0.80	0.76	48	5.4	3659	1.0	2.0	9.4	2630	74
400	NXR 400MG6	991	95.6	95.4	0.79	0.74	51	5.9	3855	1.0	2.4	11.6	3120	74
450	NXR 400MH6	990	95.7	95.6	0.82	0.77	55	5.9	4339	1.0	2.4	13.0	3310	74
500	NXR 400MK6	990	95.8	95.7	0.82	0.78	61	5.9	4821	1.0	2.3	14.4	3500	74
540	NXR 400MM6	991	95.9	95.7	0.82	0.77	66	6.1	5205	1.0	2.4	15.9	3710	74
600	NXR 400MM6	995	96.2	95.8	0.77	0.70	78	6.3	5757	0.8	2.5	20.1	3840	74
630	NXR 450MH6	992	96.2	96.2	0.85	0.82	74	6.0	6064	0.8	2.3	30.2	4480	77
710	NXR 450MK6	992	96.3	96.3	0.86	0.82	83	6.0	6832	0.8	2.3	34.7	4800	77
800	NXR 450MM6	993	96.5	96.4	0.85	0.81	94	6.0	7694	0.8	2.4	39.5	5150	77
880	NXR 450MP6	993	96.5	96.5	0.85	0.82	103	6.1	8463	0.8	2.4	43.3	5390	77
950	NXR 450MP6	995	96.7	96.6	0.87	0.84	109	6.1	9119	0.9	2.1	55.6	5630	77
1000	NXR 500ML6	993	96.6	96.5	0.84	0.80	119	6.0	9617	0.8	2.4	51.8	6370	77
1120	NXR 500MN6	993	96.7	96.6	0.85	0.81	132	6.0	10772	0.8	2.3	58.0	6740	77
1250	NXR 500MQ6	993	96.7	96.7	0.85	0.81	147	6.0	12021	0.8	2.3	64.2	7100	77
1350	NXR 500MS6	993	96.8	96.8	0.84	0.80	160	6.0	12977	0.8	2.4	71.7	7560	77
1500	NXR 500MS6	996	97.1	97.1	0.84	0.81	176	6.0	14379	0.7	2.2	91.9	7870	77

Rib cooled motors, type NXR

Technical data

IP55, IC411, insulation class F, temperature rise class B
10000 V, 50 Hz

Output [kW]	Motor type	Speed [r/min]	Efficiency		Power factor		I_N [A]	I_s I_N [pu]	T_N [Nm]	T_s T_N [pu]	T_{max} T_N [pu]	Rotor inertia [kgm ²]	Motor weight [kg]	Sound pressure level L_p [dB(A)]	
			Full load 100 %	3/4 load 75 %	Full load 100 %	3/4 load 75 %									
3000/r min = 2 poles		10000 V 50 Hz													
355	NXR 400ME2	2974	95.4	95.3	0.89	0.87	24	6.4	1140	0.8	2.7	5.9	3070	81	
400	NXR 400ME2	2973	95.5	95.5	0.90	0.88	27	6.2	1285	0.7	2.6	5.9	3070	81	
450	NXR 400MF2	2973	95.7	95.8	0.90	0.89	30	6.1	1445	0.8	2.4	6.3	3180	81	
500	NXR 400MG2	2971	95.8	95.9	0.91	0.90	33	6.1	1607	0.9	2.4	6.7	3300	81	
560	NXR 400MH2	2973	96.0	96.1	0.91	0.90	37	6.1	1799	0.9	2.4	7.1	3420	81	
600	NXR 400MH2	2983	96.3	96.5	0.91	0.91	39	6.0	1921	0.7	2.2	8.9	3500	81	
630	NXR 450MG2	2977	96.1	96.1	0.91	0.90	42	5.6	2021	0.6	2.3	13.9	4600	81	
710	NXR 450M32	2979	96.3	96.3	0.90	0.89	47	5.9	2276	0.6	2.4	14.7	4770	81	
800	NXR 450MK2	2979	96.4	96.5	0.91	0.90	53	5.7	2564	0.6	2.3	15.8	5000	81	
870	NXR 450ML2	2980	96.6	96.6	0.91	0.90	57	6.0	2787	0.6	2.4	16.3	5120	81	
900	NXR 450ML2	2985	96.7	96.8	0.91	0.91	59	6.2	2879	0.6	2.3	20.6	5260	81	
1000	NXR 500ML2	2984	96.5	96.4	0.92	0.92	65	5.9	3200	0.6	2.3	22.2	6230	81	
1150	NXR 500MN2	2983	96.7	96.6	0.92	0.91	75	5.8	3682	0.6	2.1	26.0	6720	81	
1280	NXR 500MQ2	2983	96.8	96.8	0.92	0.92	83	6.0	4097	0.6	2.2	29.1	7140	81	
1320	NXR 500MQ2	2988	97.0	96.9	0.92	0.92	85	6.1	4219	0.6	2.1	36.7	7330	81	
1500/r min = 4 poles		10000 V 50Hz													
355	NXR 400ME4	1487	94.9	94.6	0.82	0.77	26	6.2	2280	0.8	2.7	8.3	2980	81	
400	NXR 400MF4	1486	95.0	94.9	0.84	0.79	29	6.0	2571	0.8	2.6	8.8	3080	81	
450	NXR 400MG4	1487	95.3	95.2	0.85	0.81	32	6.1	2890	0.8	2.5	9.2	3170	81	
500	NXR 400MH4	1486	95.5	95.5	0.87	0.84	35	6.4	3213	0.9	2.5	10.0	3310	81	
560	NXR 400MJ4	1487	95.7	95.6	0.86	0.82	40	6.0	3596	0.8	2.4	10.9	3470	81	
600	NXR 400MJ4	1491	95.9	95.8	0.85	0.82	42	5.9	3842	0.7	2.2	13.5	3560	81	
630	NXR 450MG4	1488	96.0	95.9	0.85	0.81	45	6.0	4042	0.8	2.4	15.2	4520	81	
710	NXR 450MJ4	1489	96.2	96.1	0.85	0.81	50	6.0	4554	0.8	2.4	17.1	4820	81	
800	NXR 450ML4	1488	96.3	96.3	0.86	0.83	56	5.9	5133	0.8	2.4	18.6	5060	81	
850	NXR 450MM4	1489	96.4	96.4	0.85	0.82	60	6.0	5451	0.8	2.4	19.5	5200	81	
960	NXR 450MM4	1493	96.6	96.5	0.84	0.81	68	6.1	6140	0.6	2.3	24.9	5360	81	
1000	NXR 500MJ4	1490	96.5	96.4	0.86	0.83	69	6.0	6408	0.7	2.4	28.4	6120	81	
1150	NXR 500ML4	1490	96.7	96.6	0.87	0.84	79	6.0	7370	0.8	2.3	32.3	6490	81	
1300	NXR 500MP4	1491	96.9	96.8	0.87	0.84	89	6.1	8326	0.7	2.4	36.4	6930	81	
1400	NXR 500MP4	1494	97.0	96.9	0.88	0.86	94	6.1	8947	0.6	2.2	49.4	7180	81	
710	NXR 450MM6	995	96.1	95.9	0.81	0.77	52	5.9	6814	0.8	2.3	31.8	5370	78	

Rib cooled motors, type NXR

Technical data

IP55, IC411, insulation class F, temperature rise class B
10000 V, 50 Hz

Output [kW]	Motor type	Speed [r/min]	Efficiency		Power factor		I_N [A]	I_s I_N [pu]	T_N [Nm]	T_s T_N [pu]	T_{max} T_N [pu]	Rotor inertia [kgm ²]	Motor weight [kg]	Sound pressure level L_p [dB(A)]
			Full load 100 %	3/4 load 75 %	Full load 100 %	3/4 load 75 %								
1000/r min = 6 poles		10000 V 50 Hz												
250	NXR 400MH6	990	94.2	93.7	0.73	0.65	21	6.1	2411	1.0	3.0	10.2	3270	74
280	NXR 400MH6	990	94.4	93.9	0.75	0.67	23	6.3	2701	1.1	3.1	10.7	3340	74
315	NXR 400MJ6	989	94.5	94.1	0.76	0.68	25	6.2	3041	1.1	2.9	11.1	3420	74
355	NXR 400MJ6	991	94.8	94.5	0.75	0.67	29	6.0	3420	1.1	2.7	11.1	3450	74
400	NXR 400MJ6	993	95.1	94.9	0.78	0.72	31	5.8	3845	1.0	2.3	13.7	3540	74
450	NXR 450MH6	991	95.2	94.9	0.80	0.74	34	5.9	4337	0.9	2.5	20.6	4600	77
500	NXR 450MJ6	990	95.3	95.1	0.81	0.76	37	5.9	4821	1.0	2.5	21.9	4750	77
560	NXR 450MK6	992	95.6	95.5	0.81	0.77	42	5.6	5392	0.9	2.2	22.9	4920	77
630	NXR 450MM6	992	95.7	95.5	0.81	0.76	47	6.2	6066	1.1	2.4	25.7	5220	77
710	NXR 450MM6	995	96.1	96.0	0.81	0.77	52	5.9	6814	0.8	2.3	31.8	5370	77
800	NXR 500MJ6	993	96.2	96.3	0.84	0.80	57	5.8	7696	0.8	2.3	32.8	6040	77
950	NXR 500MM6	993	96.5	96.4	0.83	0.78	69	6.0	9133	0.8	2.4	38.4	6500	77
1080	NXR 500MQ6	993	96.6	96.6	0.84	0.80	77	6.0	10384	0.8	2.4	44.4	6980	77
1175	NXR 500MQ6	996	96.8	96.8	0.85	0.82	83	6.0	11270	0.7	2.2	59.2	7250	77
750/r min = 8 poles		10000 V 50 Hz												
400	NXR 500MH8	743	94.4	93.8	0.76	0.69	32	5.9	5143	1.1	2.7	30.8	5700	78
450	NXR 500MH8	743	94.5	94.0	0.75	0.69	36	5.9	5786	1.1	2.7	31.8	5780	78
500	NXR 500MJ8	742	94.7	94.2	0.76	0.70	40	5.8	6431	1.1	2.6	34.2	5960	78
560	NXR 500MK8	744	95.1	94.6	0.75	0.68	45	5.9	7185	1.1	2.5	34.9	6090	78
630	NXR 500ML8	744	95.2	94.8	0.76	0.69	50	5.9	8084	1.1	2.5	38.2	6340	78
710	NXR 500MN8	744	95.4	95.0	0.76	0.69	57	6.0	9108	1.0	2.5	41.8	6660	78
800	NXR 500MQ8	744	95.6	95.2	0.76	0.70	63	6.0	10262	1.0	2.5	46.4	7020	78
900	NXR 500MQ8	746	95.9	95.6	0.79	0.73	69	5.8	11518	0.7	2.3	59.1	7240	78

Rib cooled motors, type NXR

Technical data

IP55, IC411, insulation class F, temperature rise class B
4160 V, 60 Hz

Output [kW]	Motor type	Speed [r/min]	Efficiency		Power factor		I_N [A]	I_s I_N [pu]	T_N [Nm]	T_s T_N [pu]	T_{max} T_N [pu]	Rotor inertia [kgm ²]	Motor weight [kg]	Sound pressure level L_p [dB(A)]
			Full load 100 %	3/4 load 75 %	Full load 100 %	3/4 load 75 %								
3600/r min = 2 poles														
4160 V 60 Hz														
160	NXR 315MA2	3570	94.2	93.7	0.91	0.90	26	5.9	428	0.7	2.4	1.8	1660	84
200	NXR 315MA2	3569	94.7	94.4	0.91	0.90	32	5.6	535	0.6	2.3	1.7	1660	84
250	NXR 315MB2	3571	95.1	94.9	0.90	0.89	40	5.7	669	0.6	2.3	1.8	1680	84
280	NXR 315MB2	3571	95.4	95.2	0.90	0.88	45	5.7	749	0.6	2.3	1.9	1710	84
315	NXR 315MC2	3571	95.6	95.5	0.90	0.89	51	5.7	842	0.6	2.3	2.0	1770	84
355	NXR 315MC2	3572	95.8	95.7	0.90	0.89	57	5.8	949	0.7	2.3	2.2	1830	84
375	NXR 315MD2	3572	95.8	95.8	0.91	0.90	60	5.9	1002	0.7	2.3	2.4	1870	84
425	NXR 315ME2	3574	96.0	96.0	0.90	0.89	68	5.8	1136	0.6	2.3	2.6	1970	84
445	NXR 315ME2	3582	96.3	96.3	0.91	0.91	70	6.0	1186	0.6	2.2	3.7	2040	84
450	NXR 355ME2	3570	95.8	95.8	0.91	0.91	71	5.7	1204	0.7	2.2	4.1	2340	84
500	NXR 355MF2	3572	95.9	95.9	0.92	0.91	78	5.9	1337	0.7	2.3	4.3	2390	84
570	NXR 355MH2	3574	96.2	96.2	0.92	0.91	89	6.0	1523	0.7	2.3	4.8	2540	84
600	NXR 355MH2	3582	96.4	96.4	0.92	0.92	94	6.1	1600	0.7	2.2	6.2	2620	84
630	NXR 400MF2	3575	96.1	96.1	0.92	0.91	99	6.1	1683	0.8	2.4	7.6	3100	85
710	NXR 400MH2	3576	96.4	96.3	0.91	0.91	111	6.0	1896	0.7	2.3	8.5	3310	85
800	NXR 400MJ2	3576	96.5	96.5	0.92	0.92	125	6.1	2136	0.7	2.3	9.2	3480	85
860	NXR 400ML2	3577	96.6	96.6	0.92	0.91	134	6.2	2296	0.7	2.3	9.7	3610	85
890	NXR 400ML2	3583	96.8	96.7	0.92	0.92	138	6.4	2372	0.8	2.3	12.6	3730	85
1000	NXR 450MK2	3580	96.5	96.4	0.91	0.91	156	6.1	2668	0.6	2.5	15.2	4960	85
1100	NXR 450MM2	3580	96.7	96.5	0.92	0.92	171	6.3	2934	0.7	2.5	17.2	5340	85
1170	NXR 450MN2	3582	96.7	96.5	0.90	0.90	185	6.3	3120	0.6	2.5	18.2	5500	85
1200	NXR 450MN2	3585	96.9	96.7	0.90	0.90	189	6.1	3196	0.6	2.3	22.7	5650	85
1320	NXR 500MN2	3582	96.5	96.3	0.92	0.92	205	5.9	3519	0.6	2.2	26.1	6720	85
1530	NXR 500MR2	3583	96.8	96.6	0.92	0.92	236	6.1	4078	0.6	2.3	31.1	7440	85
1600	NXR 500MR2	3587	96.9	96.7	0.93	0.93	246	6.2	4259	0.6	2.2	39.4	7640	85

Rib cooled motors, type NXR

Technical data

IP55, IC411, insulation class F, temperature rise class B
4160 V, 60 Hz

Output [kW]	Motor type	Speed [r/min]	Efficiency		Power factor		I_N [A]	I_s I_N [pu]	T_N [Nm]	T_s T_N [pu]	T_{max} T_N [pu]	Rotor inertia [kgm ²]	Motor weight [kg]	Sound pressure level L_p [dB(A)]
			Full load 100 %	3/4 load 75 %	Full load 100 %	3/4 load 75 %								
1800/r min = 4 poles														
4160 V 60 Hz														
160	NXR 315MA4	1783	94.3	93.9	0.84	0.80	28	5.9	857	0.9	2.4	2.8	1640	81
200	NXR 315MA4	1781	94.6	94.4	0.84	0.80	35	5.7	1072	0.9	2.2	2.8	1640	81
250	NXR 315MB4	1782	95.0	94.8	0.81	0.76	45	5.7	1339	0.9	2.3	3.0	1680	81
280	NXR 315MB4	1783	95.2	95.0	0.81	0.76	50	5.8	1500	0.9	2.3	3.2	1730	81
315	NXR 315MC4	1783	95.5	95.3	0.82	0.78	56	5.9	1687	0.9	2.3	3.6	1820	81
355	NXR 315MD4	1783	95.7	95.5	0.82	0.78	63	6.1	1901	1.0	2.4	4.0	1910	81
415	NXR 315ME4	1784	95.8	95.7	0.81	0.76	75	6.0	2221	1.0	2.4	4.5	2000	81
460	NXR 315ME4	1791	96.2	96.0	0.82	0.77	81	6.0	2453	0.8	2.2	5.7	2060	81
500	NXR 355MG4	1785	95.9	95.8	0.85	0.82	85	5.9	2675	1.0	2.2	6.8	2470	81
560	NXR 355MH4	1785	96.1	96.0	0.85	0.82	95	5.9	2995	1.0	2.2	7.3	2570	81
610	NXR 355MH4	1791	96.2	96.0	0.83	0.79	106	5.9	3253	0.7	2.1	9.2	2660	81
630	NXR 400MF4	1788	96.1	95.9	0.87	0.84	105	5.9	3364	0.7	2.2	11.0	3080	83
710	NXR 400MG4	1788	96.3	96.2	0.88	0.86	116	5.9	3793	0.7	2.2	12.1	3260	83
800	NXR 400MJ4	1789	96.4	96.3	0.87	0.84	133	5.9	4270	0.7	2.2	13.4	3460	83
900	NXR 400ML4	1789	96.6	96.4	0.87	0.85	148	6.1	4804	0.7	2.2	15.0	3690	83
950	NXR 400ML4	1793	96.7	96.5	0.87	0.85	156	6.1	5059	0.7	2.1	20.0	3850	83
1000	NXR 450MK4	1789	96.5	96.3	0.87	0.85	165	5.9	5338	0.7	2.2	24.6	4900	83
1100	NXR 450ML4	1790	96.6	96.4	0.87	0.84	183	6.0	5870	0.7	2.2	26.8	5130	83
1200	NXR 450MP4	1790	96.7	96.6	0.87	0.85	197	5.9	6402	0.7	2.2	29.4	5420	83
1250	NXR 450MP4	1793	96.8	96.5	0.88	0.86	204	6.0	6657	0.7	2.1	38.5	5630	83
1400	NXR 500ML4	1789	96.8	96.6	0.89	0.87	225	5.8	7472	0.7	2.2	36.6	6510	84
1600	NXR 500MP4	1790	96.9	96.8	0.88	0.86	259	5.8	8535	0.6	2.2	42.1	6990	84
1700	NXR 500MR4	1791	97.0	96.8	0.88	0.86	275	5.9	9066	0.6	2.3	47.2	7430	84
1800	NXR 500MR4	1793	97.0	96.8	0.89	0.87	290	6.1	9584	0.6	2.1	63.0	7710	84

Rib cooled motors, type NXR

Technical data

IP55, IC411, insulation class F, temperature rise class B
4160 V, 60 Hz

Output [kW]	Motor type	Speed [r/min]	Efficiency		Power factor		I_N [A]	I_s I_N [pu]	T_N [Nm]	T_s T_N [pu]	T_{max} T_N [pu]	Rotor inertia [kgm ²]	Motor weight [kg]	Sound pressure level L_p [dB(A)]
			Full load 100 %	3/4 load 75 %	Full load 100 %	3/4 load 75 %								
1200/r min = 6 poles														
4160 V 60 Hz														
125	NXR 315MA6	1187	94.2	94.0	0.80	0.74	23	5.4	1006	0.9	2.4	2.7	1620	76
160	NXR 315MA6	1187	94.5	94.4	0.78	0.71	30	5.3	1288	0.9	2.3	2.7	1630	76
180	NXR 315MB6	1186	94.7	94.6	0.79	0.73	34	5.2	1449	0.9	2.2	2.9	1670	76
200	NXR 315MB6	1186	94.8	94.8	0.79	0.73	37	5.2	1610	0.9	2.2	3.1	1700	76
224	NXR 315MC6	1186	95.0	95.0	0.79	0.74	41	5.1	1804	0.9	2.2	3.4	1760	76
250	NXR 315MD6	1185	95.2	95.2	0.80	0.76	45	5.1	2014	0.9	2.1	3.8	1840	76
280	NXR 315ME6	1185	95.3	95.4	0.81	0.76	50	5.1	2256	0.9	2.1	4.1	1920	76
310	NXR 315MF6	1186	95.5	95.5	0.80	0.75	56	5.3	2496	1.0	2.2	4.4	1990	76
335	NXR 315MF6	1191	95.9	95.9	0.81	0.77	60	5.2	2685	0.7	2.0	5.9	2050	76
355	NXR 355MG6	1187	95.3	95.2	0.81	0.76	64	5.4	2855	0.9	2.2	6.7	2450	79
425	NXR 355MH6	1187	95.5	95.4	0.81	0.76	76	5.4	3418	0.9	2.2	7.4	2580	79
470	NXR 355MH6	1192	95.9	95.8	0.82	0.78	83	5.2	3766	0.7	2.0	9.5	2670	79
500	NXR 400MG6	1192	95.8	95.6	0.83	0.80	87	5.9	4006	0.8	2.2	16.7	3070	79
560	NXR 400MH6	1192	96.0	95.8	0.83	0.79	97	5.9	4485	0.7	2.2	19.4	3320	79
620	NXR 400MK6	1193	96.0	95.6	0.80	0.75	112	6.4	4961	0.8	2.4	21.7	3510	79
680	NXR 400ML6	1193	96.1	96.0	0.84	0.80	117	6.3	5445	0.8	2.3	23.3	3670	79
720	NXR 400MM6	1195	96.3	96.1	0.85	0.82	122	6.2	5754	0.7	2.1	30.3	3840	79
800	NXR 450MJ6	1192	96.3	96.1	0.85	0.81	136	5.9	6407	0.8	2.3	33.8	4740	82
900	NXR 450ML6	1193	96.4	96.2	0.85	0.81	153	5.9	7206	0.7	2.3	37.9	5030	82
1050	NXR 450MP6	1193	96.5	96.4	0.85	0.81	178	6.0	8406	0.8	2.4	43.6	5440	82
1120	NXR 450MP6	1195	96.7	96.5	0.85	0.83	188	5.9	8949	0.7	2.1	55.2	5660	82
1250	NXR 500MM6	1193	96.7	96.6	0.84	0.80	213	5.9	10003	0.7	2.4	53.5	6570	82
1400	NXR 500MQ6	1193	96.8	96.7	0.85	0.82	236	5.8	11204	0.7	2.4	62.5	7120	82
1550	NXR 500MS6	1194	96.9	96.7	0.85	0.81	263	6.0	12400	0.7	2.5	70.5	7560	82
1700	NXR 500MS6	1196	97.0	96.9	0.86	0.83	284	6.1	13574	0.7	2.2	93.1	7910	82

Rib cooled motors, type NXR

Technical data

IP55, IC411, insulation class F, temperature rise class B
6600 V, 60 Hz

Output [kW]	Motor type	Speed [r/min]	Efficiency		Power factor		I_N [A]	I_s I_N [pu]	T_N [Nm]	T_s T_N [pu]	T_{max} T_N [pu]	Rotor inertia [kgm ²]	Motor weight [kg]	Sound pressure level L_p [dB(A)]
			Full load 100 %	3/4 load 75 %	Full load 100 %	3/4 load 75 %								
3600/r min = 2 poles														
6600 V 60 Hz														
160	NXR 315MB2	3574	94.0	93.3	0.86	0.83	17	6.5	427	0.8	3.0	2.1	1710	84
200	NXR 315MB2	3569	94.4	94.0	0.89	0.86	21	5.8	535	0.7	2.5	2.0	1710	84
224	NXR 315MB2	3567	94.5	94.3	0.90	0.88	23	5.8	600	0.7	2.5	2.0	1700	84
250	NXR 315MB2	3573	94.8	94.7	0.90	0.89	25	5.8	668	0.6	2.3	1.9	1700	84
280	NXR 315MB2	3573	95.2	95.1	0.90	0.88	28	5.8	748	0.6	2.3	2.0	1730	84
315	NXR 315MC2	3571	95.4	95.3	0.90	0.89	32	5.6	842	0.6	2.2	2.1	1760	84
355	NXR 315MD2	3573	95.7	95.6	0.90	0.89	36	5.8	949	0.7	2.3	2.3	1850	84
420	NXR 315ME2	3575	96.0	96.0	0.90	0.89	42	5.9	1122	0.6	2.3	2.6	1950	84
430	NXR 315ME2	3582	96.2	96.2	0.90	0.90	43	5.9	1146	0.6	2.2	3.6	2010	84
450	NXR 355MF2	3570	95.7	95.7	0.91	0.91	45	5.8	1204	0.8	2.2	4.2	2340	84
500	NXR 355MF2	3573	95.9	95.9	0.92	0.91	50	5.9	1336	0.7	2.3	4.3	2410	84
550	NXR 355MH2	3576	96.1	96.1	0.92	0.91	54	6.0	1469	0.7	2.3	4.6	2510	84
570	NXR 355MH2	3582	96.3	96.3	0.92	0.92	56	6.1	1520	0.6	2.2	6.2	2600	84
630	NXR 400MF2	3576	96.2	96.1	0.91	0.91	62	6.1	1682	0.7	2.4	7.7	3120	85
710	NXR 400MH2	3576	96.3	96.3	0.92	0.91	70	6.1	1896	0.7	2.3	8.4	3280	85
800	NXR 400MK2	3578	96.5	96.5	0.92	0.92	78	6.3	2135	0.7	2.4	9.3	3530	85
860	NXR 400MK2	3579	96.6	96.6	0.91	0.91	85	6.4	2295	0.7	2.4	9.6	3580	85
890	NXR 400MK2	3584	96.8	96.7	0.91	0.91	88	6.5	2372	0.7	2.3	12.4	3700	85
950	NXR 450MK2	3579	96.4	96.3	0.91	0.91	94	6.0	2535	0.6	2.4	14.9	4980	85
1050	NXR 450ML2	3581	96.6	96.4	0.90	0.90	105	6.1	2800	0.6	2.4	16.2	5230	85
1140	NXR 450MN2	3581	96.7	96.5	0.91	0.91	112	6.3	3040	0.6	2.5	17.9	5450	85
1180	NXR 450MN2	3586	96.8	96.7	0.91	0.91	116	6.3	3143	0.6	2.4	22.7	5610	85
1250	NXR 500MM2	3583	96.5	96.2	0.92	0.92	122	6.0	3332	0.6	2.3	24.7	6540	85
1400	NXR 500MP2	3584	96.7	96.4	0.93	0.93	136	6.2	3730	0.6	2.3	26.7	6880	85
1500	NXR 500MR2	3583	96.7	96.5	0.92	0.92	146	6.1	3998	0.6	2.2	30.8	7390	85
1580	NXR 500MR2	3587	96.9	96.7	0.92	0.93	153	6.1	4206	0.6	2.2	39.0	7580	85

Rib cooled motors, type NXR

Technical data

IP55, IC411, insulation class F, temperature rise class B
6600 V, 60 Hz

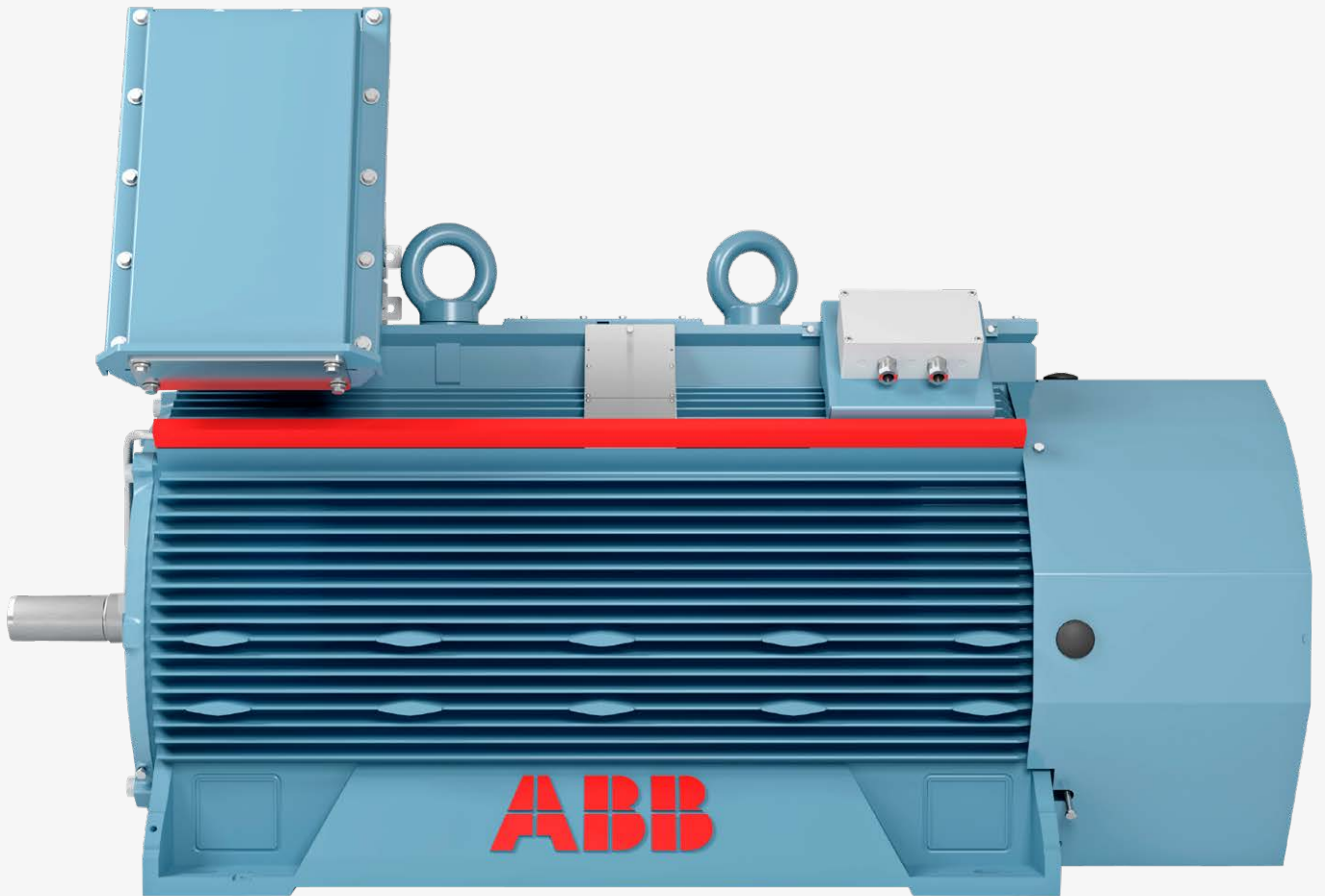
Output [kW]	Motor type	Speed [r/min]	Efficiency		Power factor		I_N [A]	I_s I_N [pu]	T_N [Nm]	T_s T_N [pu]	T_{max} T_N [pu]	Rotor inertia [kgm ²]	Motor weight [kg]	Sound pressure level L_p [dB(A)]
			Full load 100 %	3/4 load 75 %	Full load 100 %	3/4 load 75 %								
1800/r min = 4 poles														
6600 V 60 Hz														
160	NXR 315MB4	1783	93.8	93.2	0.78	0.72	19	6.1	857	1.0	2.7	3.1	1660	81
200	NXR 315MB4	1783	94.4	94.0	0.81	0.77	23	5.9	1071	1.0	2.3	3.0	1660	81
224	NXR 315MB4	1782	94.5	94.3	0.83	0.79	25	5.8	1200	0.9	2.3	3.0	1660	81
250	NXR 315MB4	1782	94.8	94.6	0.82	0.78	28	5.7	1340	1.0	2.2	3.0	1680	81
280	NXR 315MC4	1783	95.1	95.0	0.82	0.78	31	5.7	1500	0.9	2.2	3.5	1770	81
315	NXR 315MD4	1784	95.4	95.2	0.81	0.77	36	5.8	1686	0.9	2.2	3.9	1860	81
355	NXR 315ME4	1784	95.5	95.4	0.82	0.77	40	5.9	1901	0.9	2.3	4.1	1910	81
400	NXR 315ME4	1786	95.8	95.6	0.81	0.75	45	6.0	2138	0.9	2.4	4.2	1950	81
435	NXR 315ME4	1790	96.0	95.8	0.83	0.79	48	6.1	2320	0.8	2.3	5.6	2020	81
450	NXR 355MF4	1784	95.7	95.6	0.85	0.82	48	6.0	2408	1.0	2.2	6.1	2330	81
500	NXR 355MG4	1785	95.9	95.8	0.85	0.82	53	5.8	2675	0.9	2.1	6.7	2460	81
550	NXR 355MH4	1785	96.0	95.9	0.85	0.82	59	5.8	2942	0.9	2.1	7.2	2550	81
600	NXR 355MH4	1791	96.1	95.9	0.82	0.78	67	6.0	3199	0.7	2.2	9.2	2640	81
630	NXR 400MG4	1787	96.1	96.0	0.88	0.86	65	5.9	3366	0.7	2.2	11.3	3140	83
710	NXR 400MH4	1787	96.3	96.2	0.89	0.87	72	6.0	3794	0.8	2.2	12.6	3320	83
770	NXR 400MJ4	1787	96.4	96.3	0.89	0.87	79	5.9	4114	0.7	2.2	13.4	3450	83
860	NXR 400ML4	1788	96.5	96.4	0.89	0.87	88	5.9	4594	0.7	2.2	15.1	3680	83
920	NXR 400ML4	1792	96.7	96.5	0.89	0.88	93	6.1	4902	0.6	2.1	20.2	3840	83
1000	NXR 450MK4	1790	96.5	96.2	0.86	0.83	106	5.9	5335	0.7	2.2	25.4	4940	83
1100	NXR 450MM4	1791	96.6	96.4	0.86	0.83	116	6.0	5866	0.7	2.2	26.9	5140	83
1200	NXR 450MN4	1791	96.7	96.5	0.86	0.83	126	6.0	6399	0.7	2.2	29.0	5390	83
1250	NXR 450MN4	1794	96.8	96.5	0.87	0.85	129	6.2	6655	0.7	2.2	38.0	5600	83
1400	NXR 500ML4	1790	96.7	96.5	0.88	0.85	144	6.0	7469	0.7	2.3	37.1	6500	84
1600	NXR 500MP4	1790	96.9	96.8	0.88	0.86	163	5.9	8534	0.6	2.3	42.5	7000	84
1700	NXR 500MR4	1791	96.9	96.8	0.88	0.86	174	6.2	9063	0.7	2.4	47.2	7360	84
1750	NXR 500MR4	1794	96.9	96.7	0.88	0.86	180	6.3	9315	0.6	2.2	62.7	7640	84

Rib cooled motors, type NXR

Technical data

IP55, IC411, insulation class F, temperature rise class B
6600 V, 60 Hz

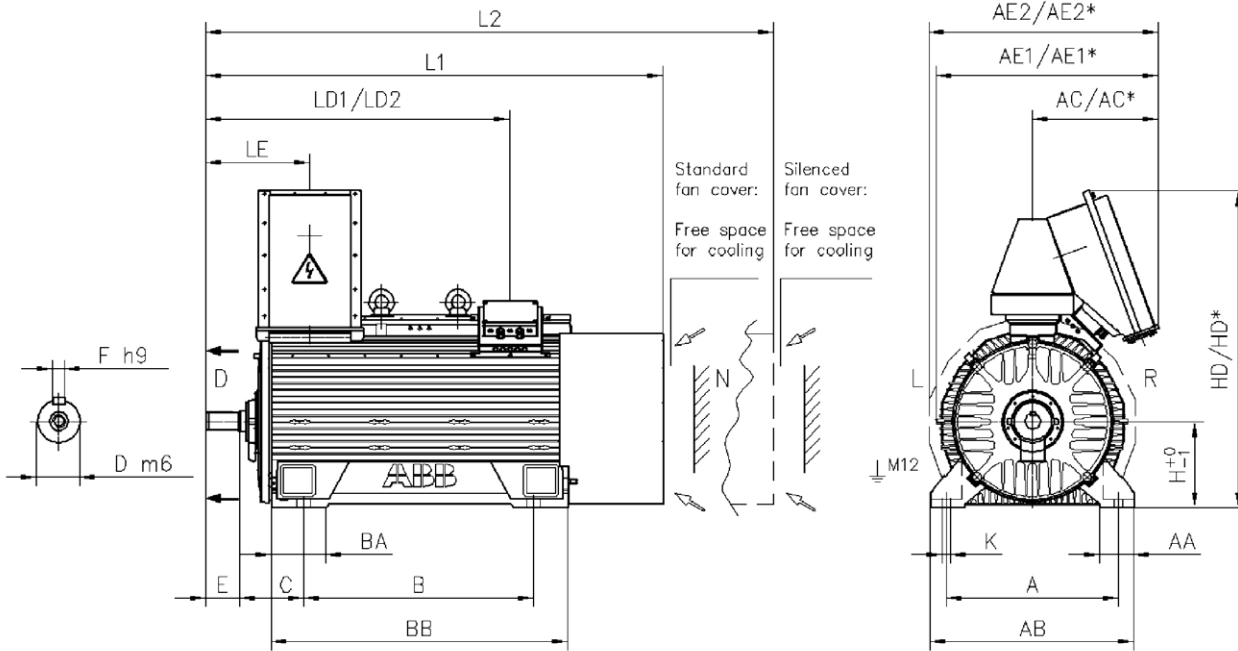
Output [kW]	Motor type	Speed [r/min]	Efficiency		Power factor		I_N [A]	I_s I_N [pu]	T_N [Nm]	T_s T_N [pu]	T_{max} T_N [pu]	Rotor inertia [kgm ²]	Motor weight [kg]	Sound pressure level L_p [dB(A)]
			Full load 100 %	3/4 load 75 %	Full load 100 %	3/4 load 75 %								
1200/r min = 6 poles														
6600 V 60 Hz														
160	NXR 315MC6	1188	94.3	93.9	0.73	0.65	20	6.0	1286	1.0	2.9	3.5	1770	76
200	NXR 315MD6	1186	94.6	94.4	0.78	0.71	24	6.1	1610	1.1	2.7	3.7	1810	76
224	NXR 315MD6	1189	94.9	94.7	0.76	0.70	27	5.9	1800	1.1	2.5	3.8	1830	76
250	NXR 315MD6	1188	95.1	94.9	0.76	0.69	30	5.9	2009	1.1	2.5	4.0	1870	76
280	NXR 315ME6	1188	95.2	95.1	0.78	0.72	33	5.7	2251	1.1	2.4	4.3	1940	76
315	NXR 315ME6	1192	95.6	95.6	0.79	0.74	36	5.5	2523	0.8	2.1	5.7	2000	76
355	NXR 355MG6	1188	95.2	95.0	0.80	0.75	41	5.6	2854	0.9	2.3	6.6	2420	79
410	NXR 355MH6	1189	95.4	95.1	0.78	0.72	48	6.0	3293	1.1	2.5	7.3	2550	79
460	NXR 355MH6	1193	95.8	95.6	0.80	0.75	53	5.9	3682	0.8	2.3	9.5	2640	79
500	NXR 400MJ6	1190	95.7	95.5	0.83	0.78	55	5.7	4013	0.9	2.3	12.5	3240	79
560	NXR 400ML6	1189	95.8	95.7	0.84	0.81	61	5.4	4497	0.8	2.1	14.4	3500	79
630	NXR 400MM6	1193	96.0	95.6	0.78	0.71	74	6.1	5044	1.0	2.5	15.4	3690	79
675	NXR 400MM6	1195	96.2	95.8	0.81	0.76	76	6.3	5395	0.8	2.4	20.3	3840	79
710	NXR 450MH6	1191	96.1	96.1	0.87	0.85	74	5.9	5691	0.8	2.3	30.0	4460	82
800	NXR 450MK6	1192	96.3	96.2	0.87	0.85	83	5.8	6411	0.7	2.3	34.0	4750	82
900	NXR 450MM6	1192	96.4	96.3	0.86	0.83	95	5.9	7208	0.7	2.3	38.4	5070	82
1000	NXR 450MP6	1192	96.5	96.4	0.88	0.85	104	5.9	8011	0.7	2.3	43.4	5400	82
1050	NXR 450MP6	1194	96.6	96.5	0.88	0.86	108	6.0	8395	0.8	2.1	56.0	5630	82
1120	NXR 500ML6	1192	96.5	96.4	0.85	0.82	119	5.8	8970	0.7	2.3	50.7	6300	82
1250	NXR 500MN6	1193	96.7	96.6	0.85	0.82	132	5.9	10006	0.7	2.4	55.5	6650	82
1400	NXR 500MQ6	1193	96.8	96.7	0.86	0.83	147	5.9	11207	0.7	2.4	62.8	7090	82
1550	NXR 500MS6	1193	96.9	96.8	0.86	0.83	163	6.1	12405	0.7	2.4	70.3	7540	82
1650	NXR 500MS6	1196	97.0	96.9	0.86	0.84	172	6.1	13176	0.7	2.2	92.6	7880	82



Rib cooled motors, type NXR

Dimension drawings

IEC, antifriction bearings, 1 < UN ≤ 11 kV, IM 1001, IC411



NXR	Poles	A	B	C	D	E	F	H	K	AA	AB	BA	BB	L1	L2	LD1	LD2	LE
315M	2	710	800	280	70	140	20	315	35	140	800	236	1070	1755	2215	1175	925	445
315M	≥4	710	800	280	80	170	22	315	35	140	800	236	1070	1785	2245	1205	955	475
355M	2	710	950	265	70	140	20	355	35	140	840	226	1225	1895	2355	1260	960	430
355M	≥4	710	950	265	90	170	25	355	35	140	840	226	1225	1925	2385	1290	990	460
400M	2	800	1250	224	80	170	22	400	35	160	900	229	1430	2145	2670	1525	1075	470
400M	≥4	800	1250	224	110	210	28	400	35	160	900	229	1430	2185	2710	1565	1115	510
450M	2	900	1250	355	90	170	25	450	42	170	1050	285	1610	2365	2935	1705	1405	500
450M	≥4	900	1250	355	110	210	28	450	42	170	1050	285	1610	2405	2975	1745	1445	540
500M	2	NA	NA	NA	NA	NA	NA	NA	NA	NA	NA	NA	NA	NA	NA	NA	NA	NA
500M	≥4	1120	1500	315	140	250	36	500	42	200	1250	266	1780	2720	3325	1985	1535	590

NXR	Poles	AC	AC*)	AE1	AE1*)	AE2	AE2*)	HD	HD*)
315M	2	525	NA	910	NA	940	NA	1260	NA
315M	≥4	525	NA	910	NA	940	NA	1260	NA
355M	2	525	NA	920	NA	960	NA	1310	NA
355M	≥4	525	NA	920	NA	960	NA	1310	NA
400M	2	525	685	970	1130	1000	1160	1425	1610
400M	≥4	525	685	970	1130	1000	1160	1425	1610
450M	2	525	685	1030	1190	1065	1220	1555	1745
450M	≥4	525	685	1030	1190	1065	1220	1555	1745
500M	2	NA	NA	NA	NA	NA	NA	NA	NA
500M	≥4	525	685	1085	1245	1115	1275	1680	1870

*) Dimension for 6.6 kV < UN ≤ 11 kV

1) Standard fan cover

2) Silenced fan cover

Note: 450 2p antifriction bearing only available for 50 Hz

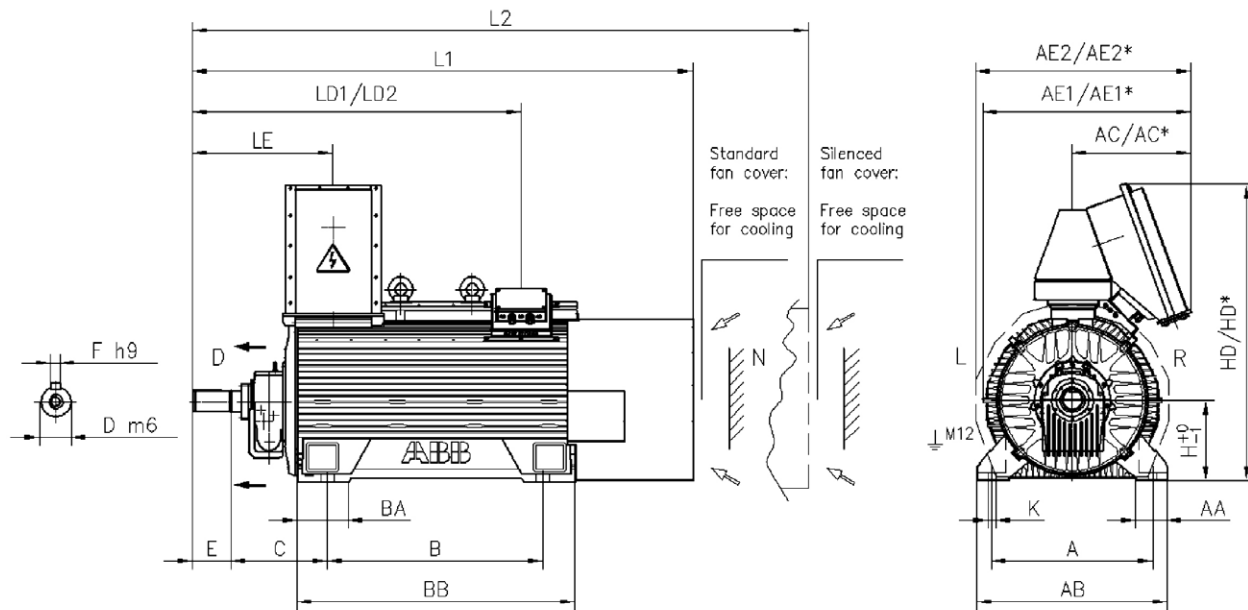
Note: 500 only available with ≥ 4p

Table gives main dimensions in mm.

Rib cooled motors, type NXR

Dimension drawings

IEC, sleeve bearings, 1 < UN ≤ 11 kV, IM 1001, IC411



NXR	Poles	A	B	C	D	E	F	H	K	AA	AB	BA	BB	L1	L2	LD1	LD2	LE
315M	2	NA	NA	NA	NA	NA	NA	NA	NA	NA	NA	NA	NA	NA	NA	NA	NA	NA
315M	≥4	NA	NA	NA	NA	NA	NA	NA	NA	NA	NA	NA	NA	NA	NA	NA	NA	NA
355M	2	710	950	425	70	140	20	355	35	140	840	226	1225	2180	2640	1420	1120	590
355M	≥4	710	950	425	90	170	25	355	35	140	840	226	1225	2210	2670	1450	1150	620
400M	2	800	1250	375	80	170	22	400	35	160	900	229	1430	2405	2930	1680	1225	625
400M	≥4	800	1250	375	110	210	28	400	35	160	900	229	1430	2445	2970	1720	1270	660
450M	2	900	1250	450	90	170	25	450	42	170	1050	285	1610	2520	3090	1800	1500	590
450M	≥4	900	1250	450	110	210	28	450	42	170	1050	285	1610	2560	3130	1840	1540	630
500M	2	1120	1500	425	100	210	28	500	42	200	1250	266	1780	2760	3365	2055	1605	660
500M	≥4	1120	1500	560	140	250	36	500	42	200	1250	266	1780	3130	3735	2230	1780	830

NXR	Poles	AC	AC ^{*)}	AE1	AE1 ^{*)}	AE2	AE2 ^{*)}	HD	HD ^{*)}
315M	2	NA	NA	NA	NA	NA	NA	NA	NA
315M	≥4	NA	NA	NA	NA	NA	NA	NA	NA
355M	2	525	NA	920	NA	960	NA	1310	NA
355M	≥4	525	NA	920	NA	960	NA	1310	NA
400M	2	525	685	970	1130	1000	1160	1425	1610
400M	≥4	525	685	970	1130	1000	1160	1425	1610
450M	2	525	685	1030	1190	1065	1220	1555	1745
450M	≥4	525	685	1030	1190	1065	1220	1555	1745
500M	2	525	685	1085	1245	1115	1275	1680	1870
500M	≥4	525	685	1085	1245	1115	1275	1680	1870

*) Dimension for 6.6 kV < UN ≤ 11 kV

1) Standard fan cover

2) Silenced fan cover

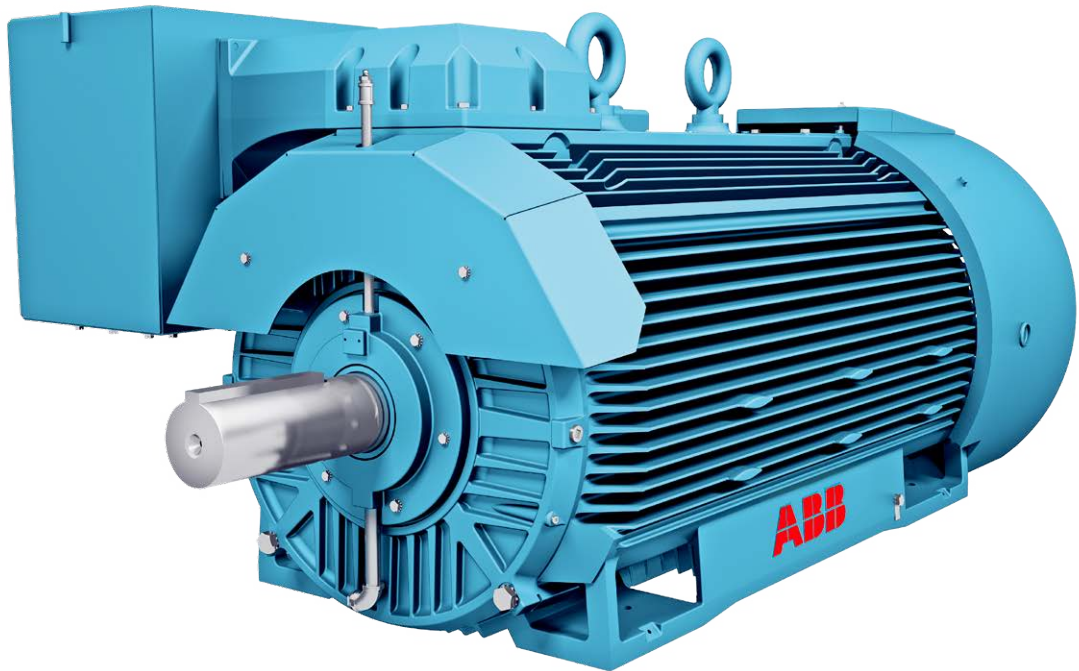
Note: Shaft height 315 not available

Table gives main dimensions in mm.

Modified to order above NEMA motors, type NXR US

Available from stock

Modified to order above NEMA motors fit most applications where a highly customized motor is not needed. Totally enclosed fan cooled motors, type NXR US, are available from stock or with short lead times.



Motor modifications to fit application requirements

Completing the modification in our Athens, GA USA factory, NXR US motors have modifications available to allow them to meet specific application requirements. The modifications range from bearing type change-outs to upgrading to IP55 ingress protection. These modifications allow you to tailor N-series motors to fit your applications without having to order a highly custom engineered motor.

By using a variable speed drive, you can optimize the motor's performance, minimize energy consumption and control your process more accurately. With increasing use of VSDs, it is always an advantage to have a motor that is capable of being adapted for VSD use later. This provides additional flexibility to configure your processes in the future.

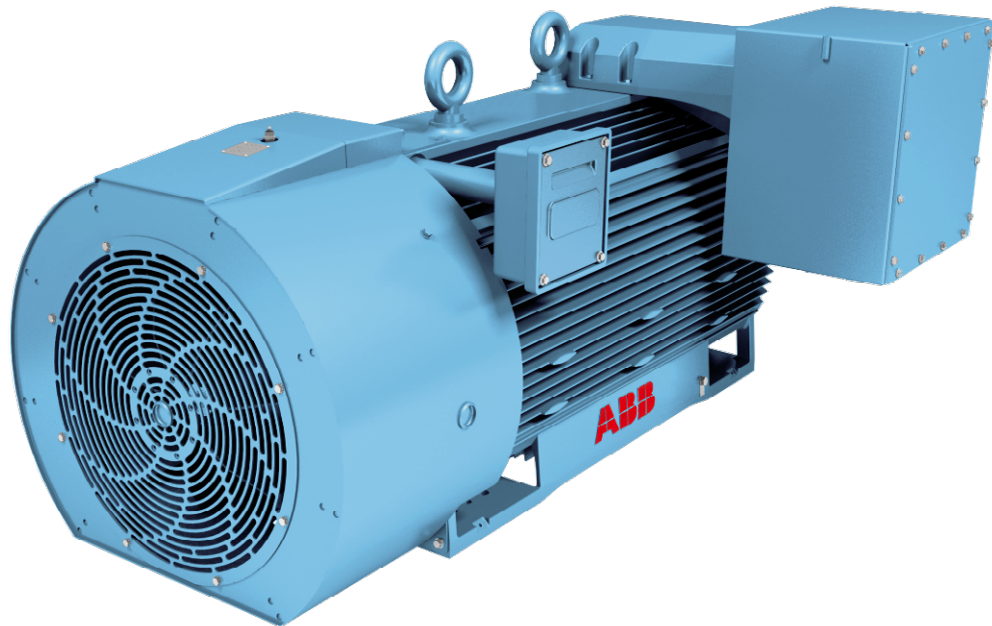
Modified to order above NEMA motors, type NXR US

Key features and benefits

- High efficiency for lower total cost of ownership
- High power density for more Hp per pound
- Optional ingress protection level available up to IP55
- Compact size for smaller overall installations
- Rigid, weight-optimized frame is engineered to minimize vibration
- Fixing points make accessory fitting straight forward
- Flexible repositioning of main terminal box on site by ABB service personnel
- Designed for easy deployment of ABB condition monitoring systems
- Based on more than 125 years of experience manufacturing electric motor

Main specifications

Rated horsepower	250 Hp to 1000 Hp
Frame sizes	5000, 5800
Number of poles	2 to 6 pole
Voltages	460, 2300/4000, 4160
Frequency	50 Hz Reratable, 60 Hz, VSD
Service factor	DOL: 1.15, VSD: 1.00
Cooling	IC411, IC416, TEFC, TEBC
Protection	IP54 (optionally IP55)
Enclosure material	Cast iron
Bearings	Anti-friction
Motor types	NXR US
Mounting	Horizontal
Ex protection types	Hazardous area location Class I Div 2 area capable
Standards	NEMA feature set and mounting dimensions



Modified to order above NEMA motor, type NXR US

Technical data

Modified to order above NEMA motor, type NXR US, three phase, totally enclosed, foot mounted
460 V, 60 Hz

Hp	RPM	NEMA frame	Encl.	Reference number	Aprx. weight (lb.)	Full load efficiency	Voltage	Full load amps
460 V 60 Hz								
250	1200	5008	TEFC	MTO-N50256L-4	3550	95.8	460	301
300	1200	5010	TEFC	MTO-N50306L-4	4010	95.8	460	361
350	1200	5010	TEFC	MTO-N50356L-4	4230	95.8	460	412
400	1200	5010	TEFC	MTO-N50406L-4	4340	95.8	460	478
	3600	5010	TEFC	MTO-N50452S-4	3950	95.8	460	471
450	1800	5010	TEFC	MTO-N50454L-4	4100	96.2	460	503
	1200	5012	TEFC	MTO-N50456L-4	4740	95.8	460	538
	3600	5010	TEFC	MTO-N50502S-4	4010	95.8	460	522
500	1800	5010	TEFC	MTO-N50504L-4	4280	96.2	460	554
	1200	5012	TEFC	MTO-N50506L-4	4980	95.8	460	595
	3600	5010	TEFC	MTO-N50602S-4	4210	95.8	460	623
600	1800	5010	TEFC	MTO-N50604L-4	4480	96.2	460	659
	1200	5012	TEFC	MTO-N50606L-4	5250	95.8	460	728
	3600	5010	TEFC	MTO-N50702S-4	4610	95.8	460	725
700	1800	5012	TEFC	MTO-N50704L-4	5160	96.2	460	766
	1200	5012	TEFC	MTO-N50706L-4	5670	95.8	460	823
	3600	5810	TEFC	MTO-N58802S-4	7360	95.8	460	828
800	1800	5012	TEFC	MTO-N50804L-4	5470	96.2	460	871
	1200	5810	TEFC	MTO-N58806L-4	7520	95.8	460	908
	3600	5810	TEFC	MTO-N58902S-4	7870	95.8	460	927
900	1800	5012	TEFC	MTO-N50904L-4	5670	96.2	460	980
	1200	5810	TEFC	MTO-N58906L-4	7980	95.8	460	1016
1000	1800	5810	TEFC	MTO-N581004L-4	8050	96.2	460	1068
	1200	5810	TEFC	MTO-N581006L-4	8330	95.8	460	1124

Modified to order above NEMA motor, type NXR US

Technical data

Modified to order above NEMA motor, type NXR US, three phase, totally enclosed, foot mounted
2300/4000 V, 60 Hz

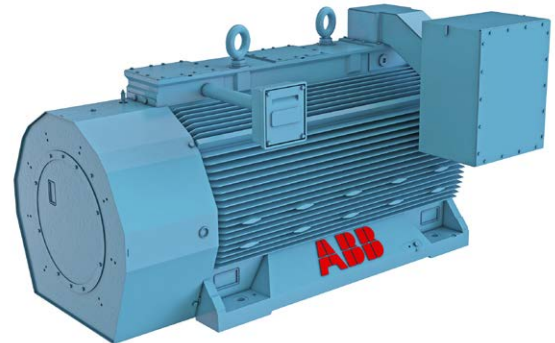
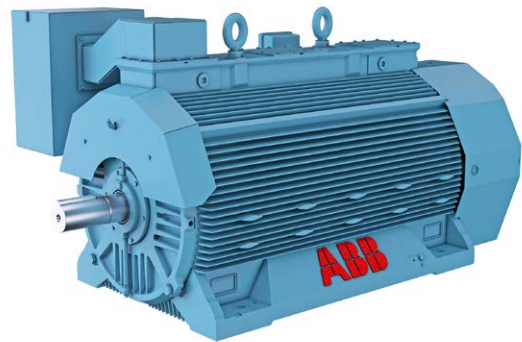
Hp	RPM	NEMA frame	Encl.	Reference number	Aprx. weight (lb.)	Full load efficiency	Voltage	Full load amps
2300/4000 V 60Hz								
250	1200	5008	TEFC	MTO-N50256L-2340	3530	94.1	2300/4000	65.8/37.9
300	1200	5010	TEFC	MTO-N50306L-2340	3970	94.5	2300/4000	78.2/45.1
	3600	5010	TEFC	MTO-N50352S-2340	3730	94.5	2300/4000	76.8/44.2
350	1800	5008	TEFC	MTO-N50354L-2340	3510	94.5	2300/4000	84.1/48.5
	1200	5010	TEFC	MTO-N50356L-2340	4450	94.5	2300/4000	88.3/50.9
	3600	5010	TEFC	MTO-N50402S-2340	3900	95.0	2300/4000	87.6/50.4
400	1800	5010	TEFC	MTO-N50404L-2340	3990	95.0	2300/4000	93.6/54.0
	1200	5012	TEFC	MTO-N50406L-2340	4850	95.0	2300/4000	100.5/57.9
	3600	5010	TEFC	MTO-N50452S-2340	4060	95.0	2300/4000	98.2/56.5
450	1800	5010	TEFC	MTO-N50454L-2340	4250	95.0	2300/4000	102.7/59.1
	1200	5012	TEFC	MTO-N50456L-2340	5180	95.0	2300/4000	111.6/64.4
	3600	5010	TEFC	MTO-N50502S-2340	4210	95.0	2300/4000	107.4/61.8
500	1800	5012	TEFC	MTO-N50504L-2340	4760	95.0	2300/4000	114.2/65.7
	1200	5012	TEFC	MTO-N50506L-2340	5450	95.0	2300/4000	122.1/70.3
	3600	5010	TEFC	MTO-N50602S-2340	4450	95.4	2300/4000	129.7/74.6
600	1800	5012	TEFC	MTO-N50604L-2340	5140	95.4	2300/4000	139.5/80.3
	1200	5012	TEFC	MTO-N50606L-2340	5670	95.4	2300/4000	143.8/82.8
	3600	5810	TEFC	MTO-N58702S-2340	6680	95.4	2300/4000	147.4/84.8
700	1800	5012	TEFC	MTO-N50704L-2340	5510	95.4	2300/4000	165.0/95.1
	1200	5810	TEFC	MTO-N58706L-2340	7470	95.4	2300/4000	161.5/93.0
	3600	5810	TEFC	MTO-N58802S-2340	7300	95.8	2300/4000	167.1/96.1
800	1800	5012	TEFC	MTO-N50804L-2340	5690	95.8	2300/4000	178.5/102.7
	1200	5810	TEFC	MTO-N58806L-2340	7910	95.8	2300/4000	182.6/105.1
	3600	5810	TEFC	MTO-N58902S-2340	7670	95.8	2300/4000	187.3/107.7
900	1800	5810	TEFC	MTO-N58904L-2340	7690	95.8	2300/4000	198.9/114.5
1000	1800	5810	TEFC	MTO-N581004L-2340	8090	95.8	2300/4000	220.3/126.7

Modified to order above NEMA motor, type NXR US

Modification options in MachSize

Options listed below may not align with Motor Mod Express®.
Please use the online MachSize tool to properly modify and order the correct options.

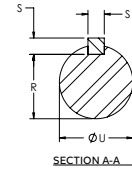
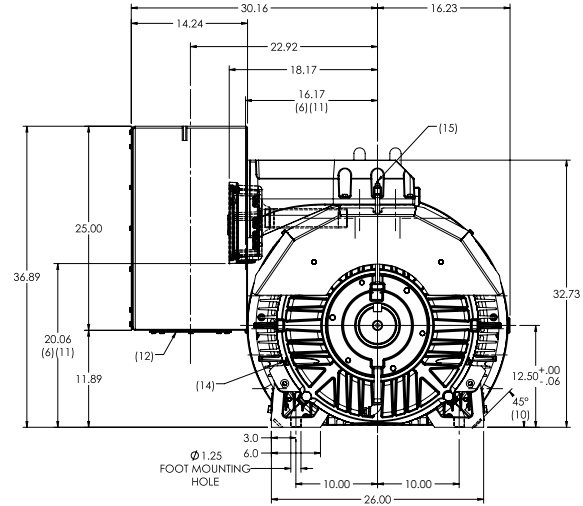
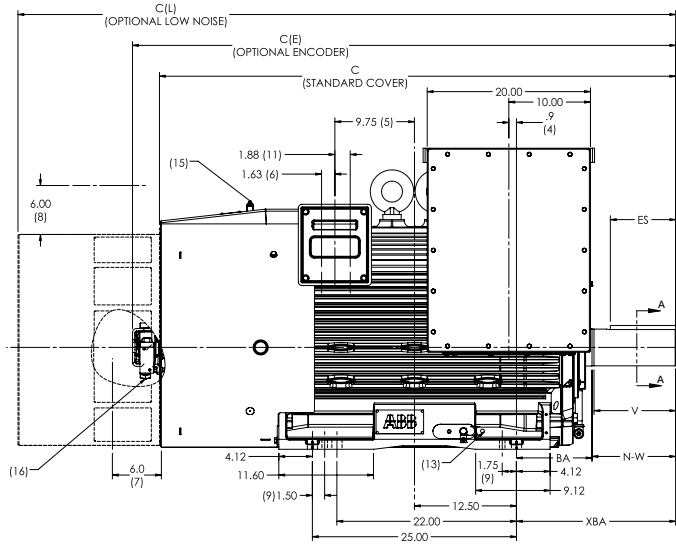
Ball to Roller Conversion
Bearing Temperature Detector (100 Ohm)
T-Drains
Labyrinth Seal (DE, ODE or both)
Inpro Seal (DE, ODE or both)
NEMA F2 or F3 Mounted Terminal Box
Oversized Main Terminal Boxes
Bus Bars/Stand offs
Lightning Arrestors
Surge Capacitors
Export Packaging (Totally Enclosed Crate)
Arctic Duty (-40 °C)
N/C Winding Thermostats
D-flange (5000, 5800), C-face (5000)
Totally Enclose Blower Cooler (In-line or Piggyback Blower)
Charcoal Gray Motor Paint
Industrial Gray Motor Paint
Black Motor Paint
Blue Motor Paint
Industrial Red Motor Paint
White Motor Paint
Traffic Yellow Motor Paint
Protection from Tropical Environment
Upgrade to IP55
Add Encoder
Shaft Ground Brush (Non-Hazardous area only)
Provision for Vibration Detection (1/4-28)
Vibration Switch "Robert Shaw"
Velocity Transducer 1 each end B/N 92000
Velocity Transducer 2 each end B/N 92000
Velocity Transducer 3 each end B/N 92000
Accelerometer 1 each end B/N 330400
Accelerometer 2 each end B/N 330400
Accelerometer 3 each end B/N 330400
ABB Ability™ Smart Sensor



Modified to order above NEMA motor, type NXR US

Dimension drawings

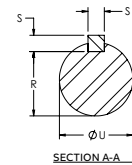
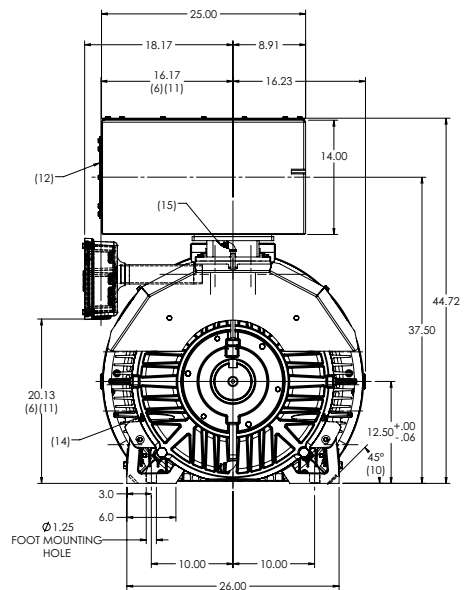
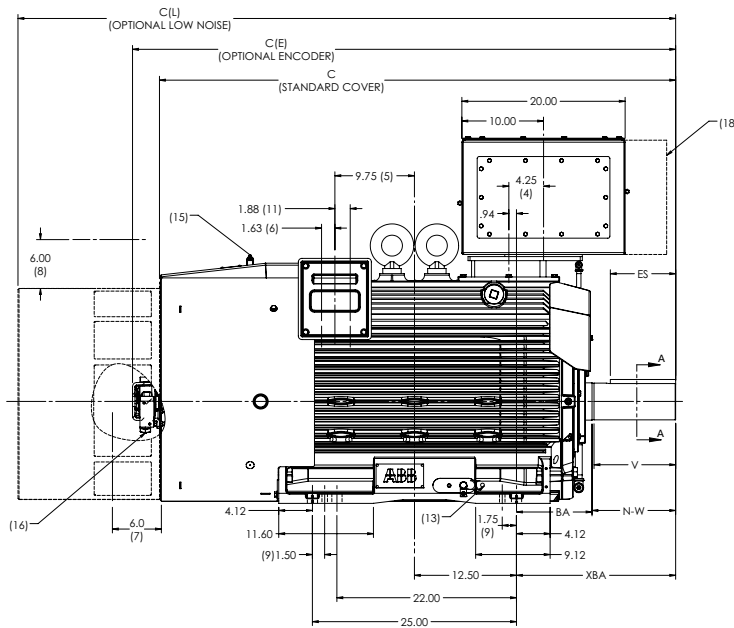
Squirrel-cage induction motors, frame NXR US 5008, terminal box mounting F1



	POLES	C	C(L)	C(E)	N-W	BA	XBA	V	ES	U +.000/- .001	S +.001/- .000	R +.000/- .015
A	2	59.24	76.57	62.54	7.00	8.50	15.50	6.75	4.00	2.625	.625	2.275
B	4	63.24	80.57	66.54	10.25	9.25	19.50	10.00	8.00	4.125	1.000	3.563
C	6	63.24	80.57	66.54	10.25	9.25	19.50	10.00	8.00	4.500	1.000	3.944

DIMENSIONS ARE IN INCHES

Squirrel-cage induction motors, frame NXR US 5008, terminal box mounting F3



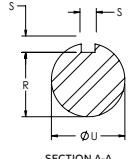
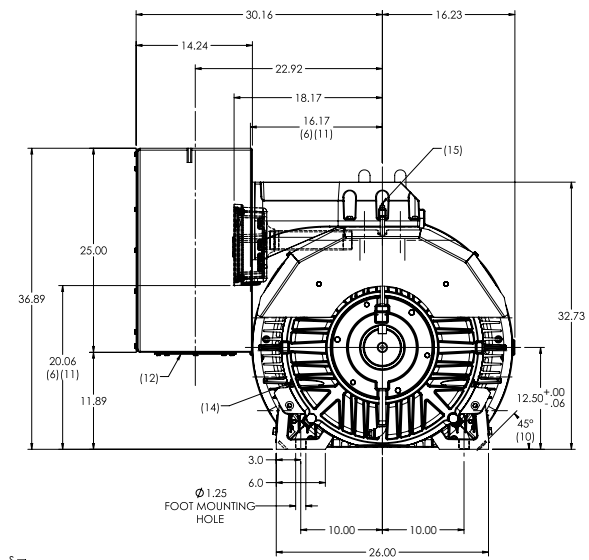
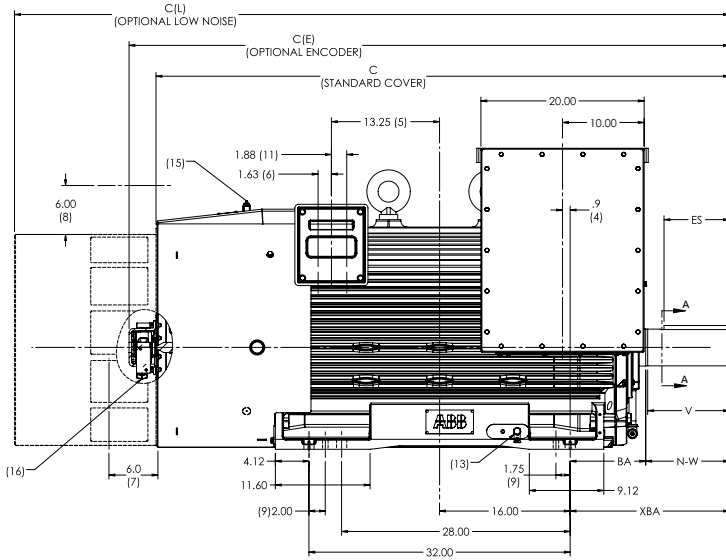
	POLES	C	C(L)	C(E)	N-W	BA	XBA	V	ES	U +.000/- .001	S +.001/- .000	R +.000/- .015
A	2	59.24	76.57	62.54	7.00	8.50	15.50	6.75	4.00	2.625	.625	2.275
B	4	63.24	80.57	66.54	10.25	9.25	19.50	10.00	8.00	4.125	1.000	3.563
C	6	63.24	80.57	66.54	10.25	9.25	19.50	10.00	8.00	4.500	1.000	3.944

DIMENSIONS ARE IN INCHES

Modified to order above NEMA motor, type NXR US

Dimension drawings

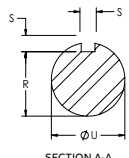
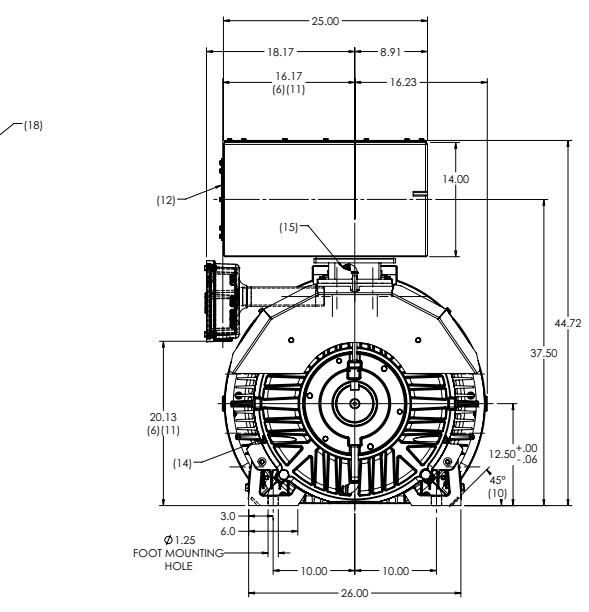
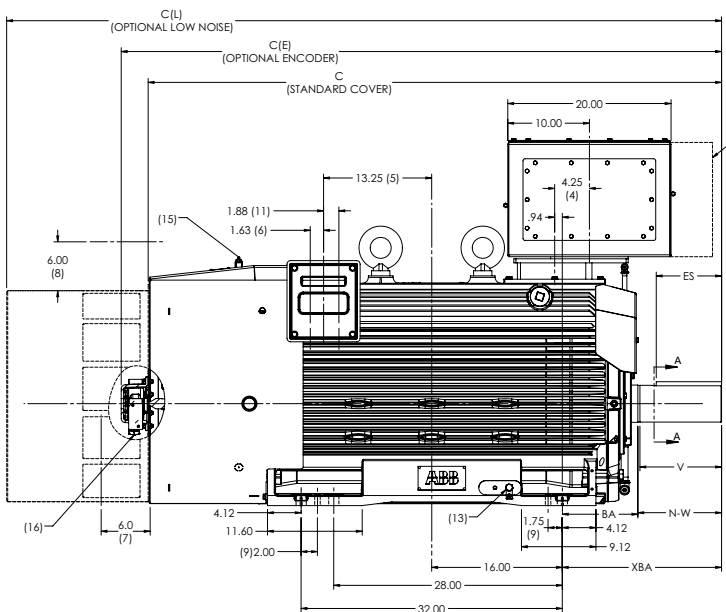
Squirrel-cage induction motors, frame NXR US 5010, terminal box mounting F1



	POLES	C	C(L)	C(E)	N-W	BA	XBA	V	ES	U +.000/-001	S +.001/-000	R +.000/-015
A	2	66.24	83.57	69.54	7.00	8.50	15.50	6.75	4.00	2.625	.625	2.275
B	4	70.24	87.57	73.54	10.25	9.25	19.50	10.00	8.00	4.125	1.000	3.563
C	6	70.24	87.57	73.54	10.25	9.25	19.50	10.00	8.00	4.500	1.000	3.944

DIMENSIONS ARE IN INCHES

Squirrel-cage induction motors, frame NXR US 5010, terminal box mounting F3



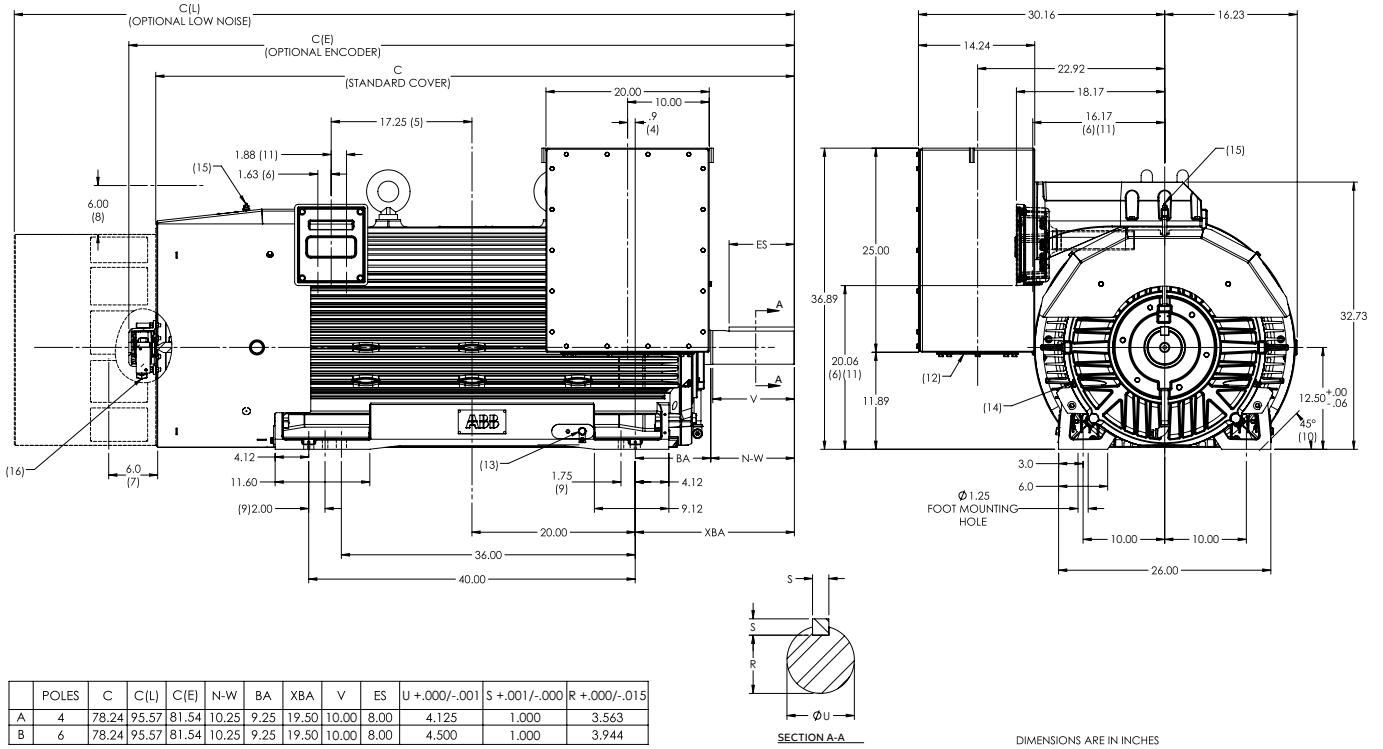
	POLES	C	C(L)	C(E)	N-W	BA	XBA	V	ES	U +.000/-001	S +.001/-000	R +.000/-015
A	2	66.24	83.57	69.54	7.00	8.50	15.50	6.75	4.00	2.625	.625	2.275
B	4	70.24	87.57	73.54	10.25	9.25	19.50	10.00	8.00	4.125	1.000	3.563
C	6	70.24	87.57	73.54	10.25	9.25	19.50	10.00	8.00	4.500	1.000	3.944

DIMENSIONS ARE IN INCHES

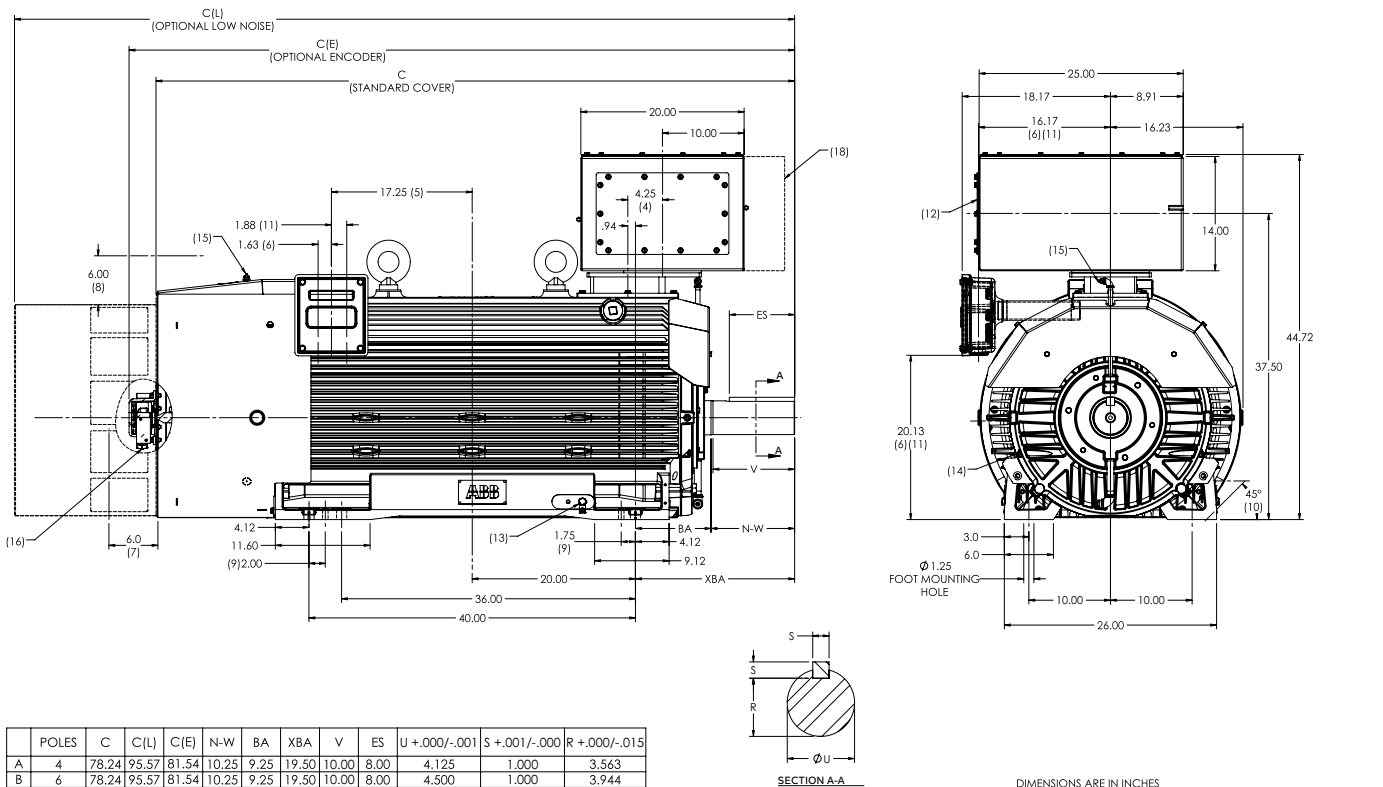
Modified to order above NEMA motor, type NXR US

Dimension drawings

Squirrel-cage induction motors, frame NXR US 5012, terminal box mounting F1



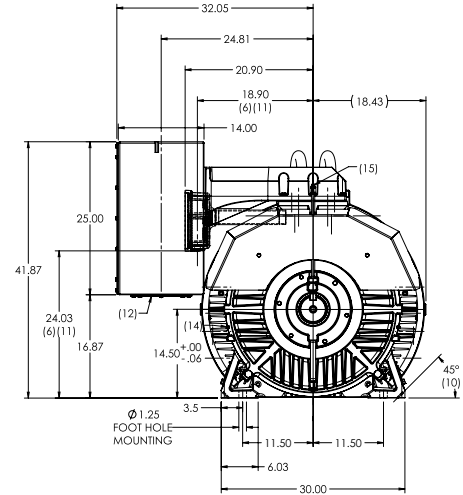
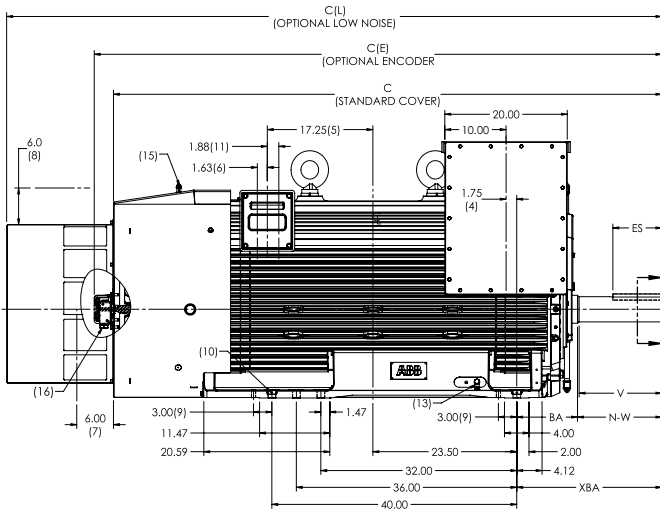
Squirrel-cage induction motors, frame NXR US 5012, terminal box mounting F3



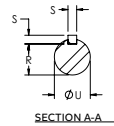
Modified to order above NEMA motor, type NXR US

Dimension drawings

Squirrel-cage induction motors, frame NXR US 5810, terminal box mounting F1

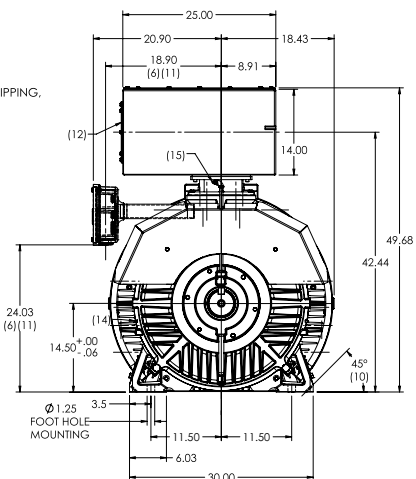
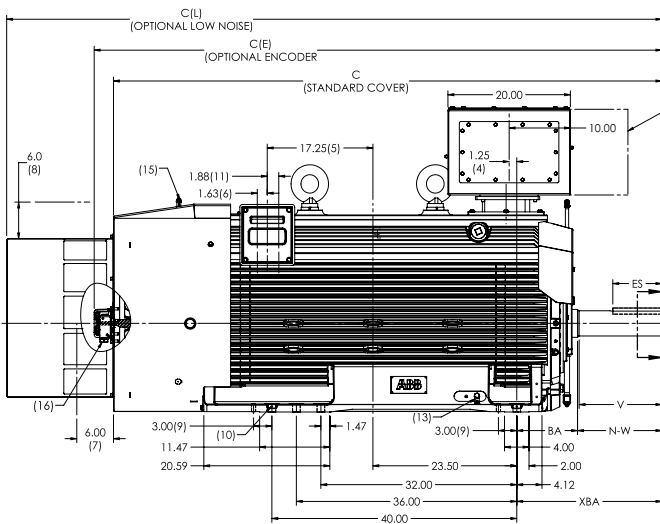


	POLES	C	C(L)	C(E)	N-W	BA	XBA	V	ES	U +.000/ -.001	S +.001/ -.000	R +.000/ -.015
A	2	82.99	100.31	86.01	7.00	10.00	17.00	6.75	4.00	2.625	0.625	2.275
B	4	89.67	107.00	92.70	13.75	9.94	23.69	13.50	8.00	4.125	1.000	3.563
C	6	89.67	107.00	92.70	13.75	9.94	23.69	13.50	8.00	4.500	1.000	3.944

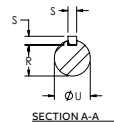


DIMENSIONS ARE IN INCHES

Squirrel-cage induction motors, frame NXR US 5810, terminal box mounting F3



	POLES	C	C(L)	C(E)	N-W	BA	XBA	V	ES	U +.000/ -.001	S +.001/ -.000	R +.000/ -.015
A	2	82.98	100.31	86.01	7.00	10.00	17.00	6.75	4.00	2.625	0.625	2.275
B	4	89.67	107.00	92.70	13.75	9.94	23.69	13.50	8.00	4.125	1.000	3.563
C	6	89.67	107.00	92.70	13.75	9.94	23.69	13.50	8.00	4.500	1.000	3.944



DIMENSIONS ARE IN INCHES

Modular induction motors, type NMI

Easy to buy, integrate and use

NMI modular induction motors provide a cost-efficient solution for safe area applications. They are easy to integrate into the process due to their compact design, interface flexibility, and low noise.

NMI motors are designed on base standards of IEC 60034 and NEMA MG1 electrical part, having performance characteristics in accordance with requirements of load torque inertia and efficiency.

NMI motors have a welded steel frame. They are rated from 160 to 8,100 kW, and are available at 50 and 60 Hz in shaft heights from 355 to 630 mm.

The complete range is designed for fixed speed drive applications with DOL power supply, and is available for VFD cases fed by frequency converters.

The motors are available for horizontal or vertical mounting. Vertical mounting is specifically designed for vertical, condensate and circulating water pumps.

This catalog only shows the typical technical data at 50 Hz with fixed speed for synchronous speed from 1000 to 3000 rpm and 60 Hz from 900 to 1800 rpm. For VFD cases and for more detailed technical data on NMI modular induction motors, please contact ABB.

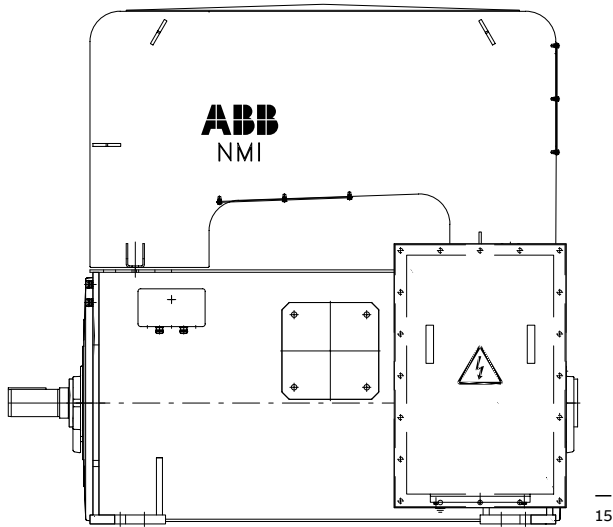


Modular induction motors, type NMI

Mounting arrangements

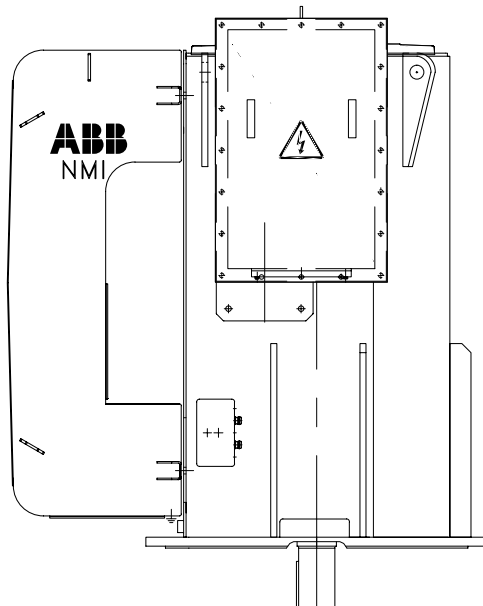
Standard mounting arrangements for NMI motors

—
15
Code I: IM B3
Code II: IM 1001
Horizontal foot
mounted



—
15

—
16
Code I: IM V1
Code II: IM 4011
Vertical flange mounted
(free shaft end facing
downwards)



—
16

Modular induction motors, type NMI

Enclosure and cooling

—
17
IC01 / IP24
—
18
IC01 / IP24W
—
19
IC611 / IP55
—
20
IC81W / IP55

Standard combinations for NMI motors:

IC01 / IP24, NMI 355-500

The motor has a shaft mounted inside fan (if any) using the surrounding air for cooling. The motor is so designed that the ingress of rain, snow and airborne particles into the electrical parts is reduced. The motor is protected such that splashing water from any direction will have no harmful effect. The standard filter material is galvanized steel.

IC01 / IP24W, NMI 560-630

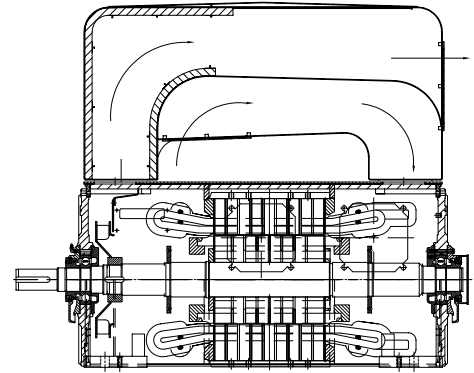
This weather protected motor has a shaft mounted cooling fan inside the housing. The design of the motor reduces the ingress of rain, snow and airborne particles into the electrical parts. In the air intake path this is achieved by ensuring that the average velocity does not exceed 3 m/s, allowing any heavier particles to settle. The design of the air intake path includes three acute direction changes in excess of 90 degrees to further reduce the flow rate to the optimal level. The motor is protected against splashing water from any direction.

IC611 / IP55

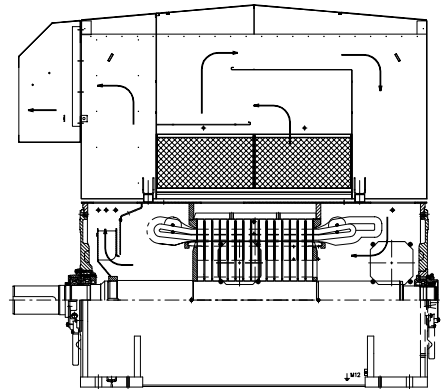
This design has an air-to-air heat exchanger mounted on the motor, which is fully enclosed. Shaft mounted fans are fitted both inside and outside of the casing to supply the inside and outside cooling circuits respectively. The motor is protected against dust and splashing water from any direction.

IC81W / IP55

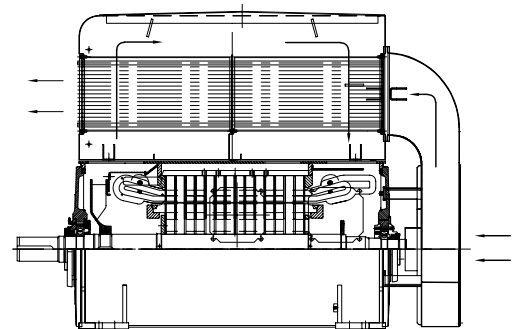
This fully enclosed motor is fitted with an air-to-water heat exchanger. A shaft mounted fan is fitted inside the casing to supply the internal cooling circuit. The motor is protected against dust and splashing water from any direction.



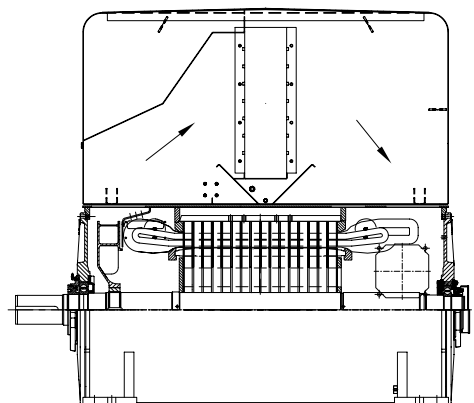
—
17



—
18



—
19



—
20

Modular induction motors, type NMI

Technical data

The technical data on pages 56 to 91 covers NMI motors with 2 to 6 poles at 50 Hz, and 4 to 8 poles at 60 Hz of cooling method IC611 and IC81W. Motors with higher poles up to 16, with cooling method IC01, and with other voltage ratings are also available. You can get technical data by self-service in MachSize, or contact with ABB.

IP55, IC611, insulation class F, temperature rise class B
690 V, 50 Hz

Output [kW]	Motor type	Speed [r/min]	Efficiency		Power factor		I_N [A]	I_s [pu]	T_N [Nm]	T_s [pu]	T_{max} [pu]	Rotor inertia [kgm ²]	Motor weight [kg]	Sound pressure level L_p [dB(A)]
			Full load 100 %	3/4 load 75 %	Full load 100 %	3/4 load 75 %								
3000/r min = 2 poles														
690 V 50 Hz														
250	NMI 355L2A	2981	95.0	94.7	0.91	0.89	243	6.4	801	0.6	3.0	6.3	2590	87
280	NMI 355L2A	2979	95.1	94.8	0.91	0.90	271	5.7	898	0.5	2.7	6.3	2590	87
315	NMI 355L2A	2976	95.1	95.1	0.91	0.91	304	5.1	1011	0.5	2.4	6.3	2590	87
355	NMI 355L2A	2972	95.1	95.2	0.91	0.91	344	4.5	1141	0.4	2.1	6.3	2590	87
400	NMI 355L2A	2974	94.8	94.7	0.90	0.88	393	5.8	1284	0.6	2.8	4.8	2480	87
450	NMI 355L2A	2970	94.8	94.9	0.90	0.89	440	5.2	1447	0.5	2.5	4.8	2480	87
500	NMI 355L2A	2967	94.8	95.0	0.90	0.89	491	4.6	1609	0.5	2.3	4.8	2480	87
560	NMI 355L2A	2965	95.2	95.2	0.90	0.88	548	5.9	1804	0.7	2.9	5.3	2590	87
630	NMI 355L2A	2960	95.1	95.3	0.90	0.89	615	5.3	2032	0.7	2.6	5.3	2590	87
710	NMI 355L2A	2963	95.0	95.3	0.91	0.91	686	4.5	2289	0.5	2.1	5.6	2680	87
800	NMI 400L2A	2973	95.3	95.3	0.91	0.90	775	5.2	2569	0.5	2.5	9.2	3140	87
900	NMI 400L2A	2971	95.3	95.5	0.91	0.90	872	4.6	2892	0.5	2.2	9.3	3150	87
1000	NMI 400L2A	2978	95.9	95.9	0.91	0.90	960	6.0	3207	0.6	2.8	10.7	3400	87
1120	NMI 400L2A	2975	95.9	96.0	0.91	0.90	1074	5.4	3595	0.6	2.5	10.7	3400	87
1250	NMI 400L2A	2975	95.7	95.9	0.91	0.91	1196	5.0	4013	0.5	2.3	11.5	3510	87
1400	NMI 450L2A	2981	96.2	96.1	0.91	0.90	1344	6.5	4485	0.7	3.1	16.5	4570	88
1600	NMI 450L2A	2978	96.2	96.2	0.91	0.90	1536	5.7	5131	0.6	2.7	16.5	4570	88
1800	NMI 450L2A	2976	96.1	96.2	0.91	0.91	1725	5.5	5775	0.6	2.6	17.4	4720	88
2000	NMI 500L2A	2983	96.3	96.2	0.93	0.92	1878	6.2	6403	0.5	3.0	26.6	5570	89
2240	NMI 500L2A	2982	96.4	96.3	0.90	0.89	2156	5.9	7172	0.4	2.9	28.5	5770	89
2500	NMI 500L2A	2980	96.4	96.4	0.92	0.91	2361	5.7	8010	0.5	2.8	28.6	5780	89
2800	NMI 500L2A	2979	96.3	96.3	0.92	0.92	2640	5.9	8976	0.6	2.8	34.0	6330	89

Modular induction motors, type NMI

Technical data

IP55, IC611, insulation class F, temperature rise class B
690 V, 50 Hz

Output [kW]	Motor type	Speed [r/min]	Efficiency		Power factor		I_N [A]	I_s I_N [pu]	T_N [Nm]	T_s T_N [pu]	T_{max} T_N [pu]	Rotor inertia [kgm ²]	Motor weight [kg]	Sound pressure level L_p [dB(A)]
			Full load 100 %	3/4 load 75 %	Full load 100 %	3/4 load 75 %								
1500 r/min = 4 poles														
690 V 50 Hz														
250	NMI 355L4A	1485	95.1	95.1	0.88	0.87	249	5.0	1608	0.6	2.3	8.8	2580	81
280	NMI 355L4A	1483	95.1	95.2	0.89	0.88	278	4.5	1803	0.5	2.0	8.8	2580	81
315	NMI 355L4A	1485	95.4	95.5	0.88	0.87	313	5.0	2026	0.6	2.2	8.8	2580	81
355	NMI 355L4A	1482	95.3	95.6	0.88	0.88	353	4.4	2287	0.5	2.0	8.8	2580	81
400	NMI 355L4A	1481	94.9	95.0	0.85	0.81	413	6.2	2580	1.1	2.9	7.3	2480	81
450	NMI 355L4A	1476	94.8	95.1	0.89	0.87	449	5.1	2912	0.9	2.3	7.9	2570	81
500	NMI 355L4A	1480	95.2	95.4	0.87	0.84	504	6.3	3226	1.1	2.9	8.4	2660	81
560	NMI 355L4A	1477	95.1	95.4	0.88	0.85	561	5.6	3620	1.0	2.6	8.4	2660	81
630	NMI 355L4A	1479	95.3	95.5	0.87	0.84	636	6.3	4068	1.2	3.0	9.0	2750	81
710	NMI 355L4A	1480	95.3	95.6	0.88	0.86	708	5.3	4580	0.9	2.4	9.8	2920	81
800	NMI 400L4A	1484	95.5	95.6	0.88	0.86	801	5.2	5149	0.8	2.4	15.6	3170	81
900	NMI 400L4A	1484	95.7	95.8	0.88	0.86	897	5.4	5791	0.8	2.4	16.7	3290	81
1000	NMI 400L4A	1485	95.9	96.0	0.87	0.85	1000	5.8	6430	0.9	2.6	17.9	3420	81
1120	NMI 400L4A	1485	96.0	96.1	0.87	0.84	1127	6.3	7202	1.0	2.9	19.2	3540	81
1250	NMI 400L4A	1484	95.8	96.0	0.89	0.87	1233	5.4	8045	0.9	2.4	20.1	3650	81
1400	NMI 400L4A	1485	96.1	96.2	0.88	0.86	1380	6.0	9000	1.0	2.6	22.5	3880	81
1600	NMI 450L4A	1485	95.8	95.9	0.90	0.88	1554	6.3	10286	0.8	2.9	34.9	4480	83
1800	NMI 450L4A	1485	95.9	96.2	0.91	0.91	1720	5.2	11578	0.6	2.3	38.3	4780	83
2100	NMI 450L4A	1487	96.2	96.3	0.90	0.87	2038	6.7	13490	0.9	3.1	41.6	4970	83
2240	NMI 500L4A	1486	96.1	96.1	0.89	0.87	2194	6.0	14396	0.8	2.9	53.1	5830	84
2500	NMI 500L4A	1485	96.1	96.2	0.89	0.87	2438	5.9	16072	0.7	2.8	56.2	5970	84
2650	NMI 500L4A	1486	96.3	96.5	0.90	0.90	2551	5.0	17025	0.5	2.3	60.6	6350	84

Modular induction motors, type NMI

Technical data

IP55, IC611, insulation class F, temperature rise class B
690 V, 50 Hz

Output [kW]	Motor type	Speed [r/min]	Efficiency		Power factor		I_N [A]	I_s I_N [pu]	T_N [Nm]	T_s T_N [pu]	T_{max} T_N [pu]	Rotor inertia [kgm ²]	Motor weight [kg]	Sound pressure level L_p [dB(A)]
			Full load 100 %	3/4 load 75 %	Full load 100 %	3/4 load 75 %								
1000 r/min = 6 poles														
690 V 50 Hz														
250	NMI 355L6A	990	95.2	95.5	0.85	0.83	258	5.3	2411	0.8	2.1	11.7	2510	78
280	NMI 355L6A	989	95.0	95.5	0.86	0.84	288	4.8	2704	0.7	1.9	11.7	2510	78
315	NMI 355L6A	989	95.1	95.5	0.85	0.83	326	4.9	3042	0.8	2.0	11.7	2500	78
355	NMI 355L6A	989	95.3	95.8	0.86	0.84	363	5.0	3427	0.8	2.0	13.7	2700	78
400	NMI 355L6A	983	94.7	95.1	0.86	0.83	413	4.8	3885	1.0	2.1	12.6	2800	78
450	NMI 355L6A	984	94.8	95.2	0.86	0.83	465	5.0	4368	1.0	2.2	13.4	2890	78
500	NMI 355L6A	985	95.0	95.3	0.85	0.82	518	5.4	4848	1.1	2.3	14.2	2980	78
530	NMI 355L6A	987	95.2	95.3	0.83	0.78	561	6.3	5127	1.3	2.7	14.9	3070	78
560	NMI 400L6A	989	95.1	95.1	0.84	0.79	590	5.8	5406	0.8	2.7	20.5	3280	78
630	NMI 400L6A	989	95.1	95.2	0.84	0.81	657	5.6	6085	0.8	2.6	21.9	3370	78
710	NMI 400L6A	988	95.2	95.3	0.85	0.81	736	5.5	6860	0.8	2.5	23.2	3490	78
800	NMI 400L6A	988	95.5	95.5	0.84	0.80	837	5.7	7729	0.9	2.7	24.5	3660	78
900	NMI 400L6A	989	95.6	95.6	0.83	0.79	949	5.8	8694	0.9	2.7	25.9	3770	78
1000	NMI 450L6A	989	95.5	95.8	0.87	0.85	1002	5.5	9660	0.9	2.5	34.4	3990	79
1120	NMI 450L6A	989	95.7	96.0	0.87	0.85	1121	5.7	10816	0.9	2.6	36.8	4130	79
1250	NMI 450L6A	989	95.8	96.2	0.89	0.87	1233	5.8	12071	1.0	2.5	41.7	4410	79
1400	NMI 450L6A	990	96.0	96.3	0.87	0.84	1398	6.4	13505	1.1	2.8	44.1	4550	79
1600	NMI 450L6A	990	96.2	96.4	0.87	0.84	1601	6.1	15429	1.0	2.7	49.9	4880	79
1800	NMI 500L6A	991	96.1	96.2	0.85	0.81	1852	6.0	17352	0.9	2.7	71.1	5850	79
2000	NMI 500L6A	991	96.2	96.4	0.86	0.83	2019	5.7	19277	0.8	2.6	78.2	6140	79
2240	NMI 500L6A	991	96.4	96.5	0.87	0.84	2245	5.9	21584	0.9	2.6	90.0	6710	79

Modular induction motors, type NMI

Technical data

IP55, IC611, insulation class F, temperature rise class B
3000 V, 50 Hz

Output [kW]	Motor type	Speed [r/min]	Efficiency		Power factor		I_N [A]	I_S I_N [pu]	T_N [Nm]	T_S T_N [pu]	T_{max} T_N [pu]	Rotor inertia [kgm ²]	Motor weight [kg]	Sound pressure level L_p [dB(A)]
			Full load 100 %	3/4 load 75 %	Full load 100 %	3/4 load 75 %								
3000 r/min = 2 poles														
3000 V 50 Hz														
250	NMI 355L2A	2977	93.9	93.4	0.90	0.88	57	6.9	802	0.7	3.3	4.8	2440	87
280	NMI 355L2A	2974	94.0	93.7	0.91	0.89	63	6.4	899	0.7	3.1	4.8	2440	87
315	NMI 355L2A	2977	94.4	94.0	0.89	0.87	72	6.8	1010	0.7	3.3	4.8	2450	87
355	NMI 355L2A	2974	94.5	94.3	0.90	0.88	80	6.3	1140	0.7	3.0	4.8	2450	87
400	NMI 355L2A	2974	94.8	94.6	0.89	0.87	91	6.3	1284	0.7	3.1	4.8	2460	87
450	NMI 355L2A	2970	94.7	94.8	0.90	0.88	102	5.6	1447	0.6	2.7	4.8	2460	87
500	NMI 355L2A	2969	94.8	95.0	0.91	0.90	112	5.5	1608	0.6	2.6	5.2	2540	87
560	NMI 355L2A	2968	95.0	95.3	0.91	0.91	124	5.3	1802	0.6	2.5	5.6	2650	87
630	NMI 355L2A	2972	95.3	95.5	0.91	0.90	140	6.1	2024	0.7	2.9	5.9	2730	87
710	NMI 355L2A	2972	95.3	95.4	0.91	0.90	157	6.1	2281	0.7	2.9	6.3	2830	87
800	NMI 355L2A	2973	95.5	95.6	0.91	0.90	176	6.3	2570	0.7	2.9	6.7	2920	87
900	NMI 400L2A	2975	95.5	95.5	0.91	0.89	200	5.8	2889	0.6	2.8	10.0	3240	87
1000	NMI 400L2A	2976	95.7	95.7	0.91	0.90	221	6.1	3209	0.6	2.9	10.8	3360	87
1120	NMI 400L2A	2972	95.5	95.6	0.91	0.90	248	5.4	3598	0.6	2.6	10.8	3360	87
1250	NMI 400L2A	2977	95.9	95.9	0.91	0.89	277	6.1	4010	0.7	2.9	12.2	3610	87
1330	NMI 400L2A	2975	95.9	95.9	0.92	0.91	290	6.3	4270	0.7	2.9	12.8	3720	87
1400	NMI 450L2A	2975	95.9	96.0	0.90	0.89	313	5.3	4494	0.5	2.6	13.5	4110	88
1600	NMI 450L2A	2975	95.9	96.0	0.90	0.90	355	5.5	5136	0.5	2.7	14.5	4270	88
1800	NMI 450L2A	2977	96.2	96.2	0.90	0.90	399	5.9	5774	0.6	2.9	16.3	4560	88
1900	NMI 450L2A	2979	96.3	96.3	0.91	0.90	419	5.6	6090	0.5	2.7	17.1	4720	88
2000	NMI 500L2A	2980	95.8	95.7	0.91	0.90	440	6.0	6410	0.5	3.0	25.3	5340	89
2240	NMI 500L2A	2980	96.0	96.0	0.92	0.92	488	5.8	7178	0.5	2.8	26.5	5510	89
2500	NMI 500L2A	2980	96.2	96.1	0.92	0.91	544	6.0	8012	0.5	2.9	30.0	5900	89
2800	NMI 500L2A	2980	96.3	96.3	0.93	0.92	604	5.9	8972	0.5	2.9	31.2	6110	89
3150	NMI 560L2A	2984	96.6	96.5	0.93	0.93	675	5.9	10079	0.4	2.8	48.7	9460	87
3550	NMI 560L2A	2977	96.5	96.4	0.93	0.93	763	5.8	11389	0.6	2.8	58.9	10250	87
4000	NMI 560L2A	2983	96.8	96.8	0.94	0.94	850	5.5	12805	0.4	2.6	58.0	10450	87
4200	NMI 560L2A	2984	96.9	96.9	0.93	0.93	892	5.9	13443	0.5	2.8	58.0	10620	87
4500	NMI 560L2A	2979	96.9	96.9	0.94	0.94	951	5.2	14424	0.5	2.4	63.5	10810	87
5000	NMI 630L2A	2982	96.5	96.3	0.93	0.93	1074	6.0	16014	0.5	2.8	121.9	14130	88
5600	NMI 630L2A	2982	96.6	96.5	0.94	0.94	1191	6.0	17932	0.5	2.8	125.0	14390	88
6000	NMI 630L2A	2983	96.7	96.6	0.94	0.95	1264	6.0	19205	0.4	2.8	130.4	14550	88

Modular induction motors, type NMI

Technical data

IP55, IC611, insulation class F, temperature rise class B
3000 V, 50 Hz

Output [kW]	Motor type	Speed [r/min]	Efficiency		Power factor		I_N [A]	I_S I_N [pu]	T_N [Nm]	T_S T_N [pu]	T_{max} T_N [pu]	Rotor inertia [kgm ²]	Motor weight [kg]	Sound pressure level L_p [dB(A)]
			Full load 100 %	3/4 load 75 %	Full load 100 %	3/4 load 75 %								
1500 r/min = 4 poles														
3000 V 50 Hz														
250	NMI 355L4A	1484	94.4	94.2	0.85	0.81	60	7.0	1609	1.2	3.3	7.3	2440	81
280	NMI 355L4A	1482	94.4	94.4	0.86	0.83	66	6.3	1804	1.0	2.9	7.3	2440	81
315	NMI 355L4A	1480	94.4	94.6	0.88	0.85	73	6.0	2033	1.0	2.7	7.3	2440	81
355	NMI 355L4A	1482	94.7	94.7	0.85	0.81	85	6.6	2287	1.2	3.2	7.3	2440	81
400	NMI 355L4A	1480	94.6	94.8	0.86	0.83	94	6.0	2582	1.0	2.8	7.3	2440	81
450	NMI 355L4A	1481	94.9	95.0	0.86	0.82	106	6.4	2902	1.2	3.0	7.9	2540	81
500	NMI 355L4A	1478	94.8	95.1	0.87	0.84	117	5.8	3229	1.0	2.7	7.9	2540	81
560	NMI 355L4A	1480	95.1	95.3	0.86	0.83	131	6.1	3614	1.1	2.9	8.4	2640	81
630	NMI 355L4A	1479	95.0	95.2	0.87	0.83	147	5.9	4067	1.1	2.8	9.0	2740	81
710	NMI 355L4A	1479	95.1	95.4	0.87	0.83	166	5.9	4583	1.1	2.8	9.5	2830	81
760	NMI 355L4A	1481	95.4	95.5	0.87	0.83	177	6.5	4901	1.2	3.0	10.6	3010	81
800	NMI 400L4A	1484	95.4	95.6	0.88	0.86	184	5.5	5148	0.7	2.5	15.5	3150	81
900	NMI 400L4A	1484	95.5	95.7	0.88	0.87	205	5.4	5792	0.7	2.5	16.6	3260	81
1000	NMI 400L4A	1484	95.7	95.9	0.89	0.87	227	5.6	6434	0.8	2.5	17.7	3380	81
1120	NMI 400L4A	1485	95.7	95.8	0.88	0.86	255	5.8	7204	0.8	2.6	18.8	3500	81
1250	NMI 400L4A	1485	95.9	96.0	0.89	0.87	283	5.9	8037	0.9	2.5	21.0	3730	81
1400	NMI 450L4A	1486	95.7	95.7	0.88	0.86	320	5.8	8994	0.7	2.7	33.6	4360	83
1600	NMI 450L4A	1488	96.0	96.0	0.89	0.87	362	5.6	10269	0.6	2.6	37.3	4650	83
1800	NMI 450L4A	1488	96.0	96.1	0.89	0.87	406	5.5	11548	0.6	2.5	41.1	4880	83
1900	NMI 450L4A	1489	96.2	96.3	0.88	0.86	449	5.6	12636	0.6	2.6	43.5	5050	83
2000	NMI 500L4A	1487	95.9	95.9	0.88	0.85	458	6.0	12844	0.7	2.9	50.0	5560	84
2240	NMI 500L4A	1487	96.1	96.1	0.88	0.86	508	6.0	14386	0.7	2.8	53.5	5770	84
2500	NMI 500L4A	1486	96.2	96.2	0.88	0.86	567	6.0	16062	0.7	2.9	56.7	5970	84
2800	NMI 500L4A	1487	96.4	96.4	0.88	0.85	637	6.0	17980	0.7	2.8	62.3	6350	84
3000	NMI 500L4A	1488	96.5	96.6	0.90	0.88	666	5.7	19254	0.6	2.6	66.6	6660	84
3250	NMI 560L4A	1484	95.8	96.1	0.91	0.91	721	4.3	20911	0.5	2.0	100.8	8490	86
3750	NMI 560L4A	1490	96.4	96.5	0.89	0.88	840	5.6	24041	0.6	2.6	113.1	9190	86
4250	NMI 560L4A	1490	96.6	96.7	0.90	0.88	945	5.9	27241	0.6	2.6	131.4	10100	86
4750	NMI 560L4A	1491	96.8	96.9	0.89	0.88	1062	5.6	30426	0.6	2.5	128.3	10070	86
5000	NMI 630L4A	1488	96.4	96.5	0.92	0.92	1080	5.1	32096	0.5	2.4	198.7	12290	87
5600	NMI 630L4A	1488	96.6	96.7	0.92	0.92	1207	5.4	35934	0.5	2.6	214.0	12870	87
6300	NMI 630L4A	1488	96.7	96.8	0.91	0.91	1377	5.4	40425	0.5	2.5	244.1	14080	87

Modular induction motors, type NMI

Technical data

IP55, IC611, insulation class F, temperature rise class B
3000 V, 50 Hz

Output [kW]	Motor type	Speed [r/min]	Efficiency		Power factor		I_N [A]	I_s I_N [pu]	T_N [Nm]	T_s T_N [pu]	T_{max} T_N [pu]	Rotor inertia [kgm ²]	Motor weight [kg]	Sound pressure level L_p [dB(A)]
			Full load 100 %	3/4 load 75 %	Full load 100 %	3/4 load 75 %								
1000 r/min =6 poles														
3000 V 50 Hz														
250	NMI 355L6A	985	94.0	94.3	0.85	0.82	60	5.0	2424	1.0	2.2	10.2	2500	78
280	NMI 355L6A	985	94.2	94.5	0.85	0.82	67	5.1	2714	1.0	2.3	11.0	2590	78
315	NMI 355L6A	986	94.4	94.7	0.85	0.82	75	5.3	3052	1.1	2.4	11.8	2680	78
355	NMI 355L6A	987	94.7	94.8	0.84	0.81	86	5.8	3435	1.2	2.5	12.6	2770	78
400	NMI 355L6A	988	94.9	94.9	0.82	0.77	99	6.5	3864	1.4	2.9	13.4	2860	78
450	NMI 355L6A	988	94.9	94.9	0.82	0.77	111	6.5	4348	1.4	2.9	14.2	2940	78
500	NMI 355L6A	989	95.1	95.1	0.82	0.76	124	6.7	4829	1.5	3.0	14.9	3050	78
560	NMI 400L6A	986	94.6	94.8	0.85	0.82	135	4.9	5422	0.7	2.3	18.0	3060	78
630	NMI 400L6A	986	94.6	94.9	0.86	0.84	150	4.7	6104	0.7	2.2	19.3	3150	78
710	NMI 400L6A	988	95.0	95.1	0.83	0.79	173	5.6	6865	0.9	2.6	20.6	3280	78
800	NMI 400L6A	989	95.2	95.2	0.83	0.78	195	6.1	7727	1.0	2.9	23.3	3490	78
900	NMI 400L6A	989	95.4	95.4	0.84	0.80	215	6.2	8691	1.0	2.9	27.4	3830	78
1000	NMI 450L6A	991	95.7	95.8	0.85	0.81	237	5.7	9637	0.8	2.6	39.2	4240	79
1120	NMI 450L6A	990	95.7	95.9	0.86	0.84	262	5.3	10806	0.7	2.3	41.3	4370	79
1250	NMI 450L6A	991	95.9	96.0	0.85	0.82	295	6.0	12045	0.9	2.6	46.3	4650	79
1400	NMI 450L6A	991	96.0	96.1	0.84	0.80	333	6.1	13487	0.9	2.7	48.9	4790	79
1500	NMI 450L6A	992	96.2	96.2	0.84	0.80	356	6.4	14444	1.0	2.9	53.7	5070	79
1600	NMI 500L6A	990	95.9	96.1	0.85	0.81	379	5.6	15433	0.9	2.5	62.9	5440	79
1800	NMI 500L6A	990	96.1	96.3	0.86	0.83	419	5.7	17355	0.9	2.5	71.4	5790	79
2000	NMI 500L6A	991	96.2	96.4	0.86	0.83	465	6.1	19272	1.0	2.7	79.4	6130	79
2250	NMI 500L6A	991	96.4	96.5	0.85	0.82	526	5.8	21674	0.8	2.6	90.9	6660	79
2500	NMI 560L6A	989	96.0	96.2	0.87	0.86	577	4.3	24127	0.5	1.9	118.4	8130	83
2800	NMI 560L6A	992	96.3	96.5	0.85	0.84	655	4.6	26960	0.5	2.0	126.9	8540	83
3150	NMI 560L6A	992	96.5	96.7	0.86	0.84	730	4.9	30310	0.6	2.2	143.7	9190	83
3550	NMI 560L6A	992	96.6	96.8	0.86	0.85	819	4.9	34163	0.6	2.1	154.8	9630	83
4000	NMI 560L6A	993	96.8	96.9	0.88	0.86	908	5.7	38473	0.7	2.5	185.2	10710	83
4500	NMI 630L6A	994	96.9	96.9	0.87	0.85	1032	5.4	43221	0.6	2.4	266.9	12850	84
5000	NMI 630L6A	994	97.0	97.1	0.88	0.87	1122	5.4	48025	0.6	2.3	312.3	14200	84
5700	NMI 630L6A	995	97.1	97.1	0.85	0.82	1331	5.5	54717	0.6	2.4	328.9	14730	84

Modular induction motors, type NMI

Technical data

IP55, IC611, insulation class F, temperature rise class B
6000 V, 50 Hz

Output [kW]	Motor type	Speed [r/min]	Efficiency		Power factor		I_N [A]	I_s I_N [pu]	T_N [Nm]	T_s T_N [pu]	T_{max} T_N [pu]	Rotor inertia [kgm ²]	Motor weight [kg]	Sound pressure level L_p [dB(A)]
			Full load 100 %	3/4 load 75 %	Full load 100 %	3/4 load 75 %								
3000 r/min = 2 poles			6000 V 50 Hz											
250	NMI 355L2A	2975	93.5	93.2	0.91	0.90	28	6.5	802	0.7	3.1	4.8	2410	87
280	NMI 355L2A	2975	93.8	93.5	0.91	0.89	32	6.5	899	0.7	3.1	4.8	2420	87
315	NMI 355L2A	2975	94.0	93.9	0.91	0.89	36	6.5	1011	0.7	3.1	4.8	2420	87
355	NMI 355L2A	2975	94.3	94.1	0.90	0.88	40	6.5	1139	0.7	3.1	4.8	2420	87
400	NMI 355L2A	2976	94.5	94.3	0.89	0.86	46	6.6	1284	0.7	3.2	4.8	2420	87
450	NMI 355L2A	2972	94.4	94.5	0.89	0.88	51	5.9	1446	0.6	2.8	4.8	2420	87
500	NMI 355L2A	2971	94.6	94.8	0.91	0.89	56	5.8	1607	0.6	2.7	5.2	2510	87
560	NMI 355L2A	2970	94.5	94.7	0.91	0.91	62	5.6	1800	0.6	2.6	5.6	2610	87
630	NMI 355L2A	2970	94.7	94.9	0.92	0.91	70	5.6	2026	0.6	2.6	5.9	2700	87
710	NMI 355L2A	2974	95.2	95.3	0.92	0.91	78	6.5	2280	0.8	3.0	6.7	2890	87
800	NMI 400L2A	2974	95.1	95.2	0.91	0.90	89	5.3	2569	0.5	2.5	9.3	3080	87
900	NMI 400L2A	2974	95.0	95.1	0.91	0.91	100	5.3	2890	0.5	2.5	10.0	3200	87
1000	NMI 400L2A	2975	95.3	95.4	0.92	0.91	110	5.6	3210	0.6	2.6	10.7	3320	87
1120	NMI 400L2A	2976	95.6	95.6	0.92	0.91	123	5.9	3594	0.6	2.7	11.4	3440	87
1250	NMI 400L2A	2978	95.8	95.9	0.92	0.92	136	6.2	4009	0.7	2.8	12.8	3680	87
1400	NMI 450L2A	2978	96.0	96.0	0.90	0.89	155	6.2	4489	0.6	3.1	14.5	4210	88
1600	NMI 450L2A	2978	95.9	95.9	0.92	0.91	175	5.9	5130	0.6	2.8	16.1	4480	88
1800	NMI 450L2A	2978	96.1	96.1	0.91	0.91	197	5.5	5772	0.5	2.6	17.0	4660	88
2000	NMI 450L2A	2979	96.4	96.4	0.92	0.91	218	5.4	6411	0.5	2.6	19.1	5010	88
2240	NMI 500L2A	2983	96.1	96.0	0.92	0.91	243	6.0	7171	0.5	2.9	28.1	5650	89
2500	NMI 500L2A	2981	96.2	96.2	0.93	0.92	270	6.0	8008	0.5	2.9	29.7	5850	89
2800	NMI 500L2A	2980	96.4	96.4	0.93	0.93	299	5.7	8973	0.5	2.8	33.3	6310	89
3150	NMI 560L2A	2982	96.4	96.4	0.94	0.94	335	5.6	10088	0.4	2.7	52.0	9620	87
3550	NMI 560L2A	2983	96.6	96.5	0.93	0.93	379	6.2	11366	0.6	2.9	57.1	10130	87
4000	NMI 560L2A	2982	96.7	96.7	0.94	0.94	424	5.4	12809	0.4	2.5	60.4	8210	87
4500	NMI 560L2A	2985	96.9	96.8	0.94	0.94	478	6.0	14397	0.5	2.8	66.6	8910	87
4800	NMI 560L2A	2984	97.0	97.0	0.94	0.94	508	6.0	15362	0.5	2.8	66.8	9090	87
5000	NMI 630L2A	2984	96.4	96.2	0.93	0.92	538	6.0	15999	0.4	2.9	109.3	13000	88
5600	NMI 630L2A	2986	96.6	96.5	0.93	0.93	597	5.7	17910	0.4	2.7	114.4	13650	88
6200	NMI 630L2A	2987	96.7	96.6	0.93	0.93	660	6.0	19821	0.5	2.8	130.8	14500	88

Modular induction motors, type NMI

Technical data

IP55, IC611, insulation class F, temperature rise class B
6000 V, 50 Hz

Output [kW]	Motor type	Speed [r/min]	Efficiency		Power factor		I_N [A]	I_s I_N [pu]	T_N [Nm]	T_s T_N [pu]	T_{max} T_N [pu]	Rotor inertia [kgm ²]	Motor weight [kg]	Sound pressure level L_p [dB(A)]
			Full load 100 %	3/4 load 75 %	Full load 100 %	3/4 load 75 %								
1500 r/min = 4 poles														
6000 V 50 Hz														
250	NMI 355L4A	1483	93.9	93.8	0.86	0.82	30	6.3	1610	1.0	3.0	7.3	2420	81
280	NMI 355L4A	1481	93.8	94.0	0.88	0.85	33	5.9	1806	1.0	2.7	7.3	2420	81
315	NMI 355L4A	1483	94.1	94.1	0.84	0.80	38	6.4	2028	1.0	3.0	7.3	2420	81
355	NMI 355L4A	1482	94.3	94.4	0.87	0.84	42	6.5	2288	1.1	3.0	7.9	2500	81
400	NMI 355L4A	1481	94.1	94.3	0.85	0.81	48	6.2	2579	1.1	2.9	7.3	2410	81
450	NMI 355L4A	1479	94.0	94.3	0.87	0.84	53	5.9	2905	1.0	2.7	7.9	2500	81
500	NMI 355L4A	1481	94.5	94.7	0.88	0.85	58	6.3	3225	1.1	2.9	9.0	2690	81
560	NMI 355L4A	1480	94.5	94.7	0.86	0.83	66	5.8	3614	1.0	2.8	8.4	2610	81
630	NMI 355L4A	1482	95.0	95.1	0.86	0.82	75	6.5	4060	1.2	3.1	9.5	2790	81
670	NMI 355L4A	1482	95.2	95.2	0.87	0.83	78	6.8	4316	1.3	3.2	10.6	2980	81
710	NMI 400L4A	1485	95.2	95.3	0.88	0.86	82	5.7	4566	0.7	2.6	15.5	3120	81
800	NMI 400L4A	1486	95.3	95.4	0.86	0.82	94	5.9	5142	0.8	2.8	15.5	3120	81
900	NMI 400L4A	1486	95.3	95.3	0.86	0.83	105	6.0	5785	0.8	2.8	16.6	3240	81
1000	NMI 400L4A	1486	95.5	95.5	0.86	0.83	117	6.3	6426	0.9	2.9	17.7	3350	81
1120	NMI 400L4A	1487	95.7	95.8	0.88	0.85	129	6.4	7195	0.9	2.9	19.9	3580	81
1250	NMI 400L4A	1487	95.9	96.0	0.89	0.87	141	6.5	8028	1.0	2.8	23.1	3930	81
1400	NMI 450L4A	1486	95.5	95.5	0.88	0.86	160	5.7	8994	0.6	2.7	33.6	4310	83
1500	NMI 450L4A	1487	95.7	95.7	0.87	0.84	174	6.1	9631	0.7	2.9	35.4	4460	83
1600	NMI 450L4A	1489	95.8	95.8	0.88	0.86	182	6.2	10261	0.7	2.8	39.2	4700	83
1800	NMI 450L4A	1489	96.1	96.1	0.89	0.87	203	6.2	11542	0.7	2.8	43.4	5010	83
1950	NMI 450L4A	1490	96.2	96.2	0.87	0.85	223	6.0	12500	0.7	2.8	45.4	5160	83
2000	NMI 500L4A	1486	95.7	95.8	0.88	0.85	229	6.0	12849	0.7	2.9	50.2	5510	84
2240	NMI 500L4A	1486	95.9	96.0	0.89	0.87	253	6.0	14391	0.7	2.8	53.9	5710	84
2500	NMI 500L4A	1488	96.2	96.3	0.91	0.90	275	6.0	16046	0.8	2.7	64.1	6370	84
2800	NMI 500L4A	1488	96.4	96.5	0.91	0.90	306	5.9	17972	0.7	2.6	70.5	6760	84
3000	NMI 500L4A	1488	96.4	96.5	0.89	0.87	336	6.0	19253	0.7	2.7	73.5	6980	84
3150	NMI 560L4A	1489	96.0	96.1	0.89	0.88	353	5.1	20200	0.5	2.4	98.5	8390	86
3550	NMI 560L4A	1490	96.3	96.3	0.89	0.88	397	5.6	22752	0.6	2.6	107.6	8840	86
4000	NMI 560L4A	1490	96.4	96.5	0.90	0.88	444	6.0	25639	0.6	2.8	122.6	9540	86
4500	NMI 560L4A	1491	96.6	96.7	0.90	0.89	495	6.0	28829	0.6	2.7	131.0	10000	86
4900	NMI 560L4A	1491	96.9	97.0	0.91	0.90	537	5.9	31378	0.6	2.6	134.8	10510	86
5000	NMI 630L4A	1491	96.5	96.5	0.90	0.88	555	5.9	32023	0.6	2.8	186.8	11890	87
5600	NMI 630L4A	1491	96.7	96.7	0.91	0.90	610	6.0	35868	0.6	2.8	209.2	12730	87
6300	NMI 630L4A	1492	96.9	96.9	0.90	0.88	699	5.6	40311	0.5	2.6	223.7	13560	87
6800	NMI 630L4A	1493	97.0	97.0	0.87	0.86	773	5.5	43499	0.5	2.5	245.7	14390	87

Modular induction motors, type NMI

Technical data

IP55, IC611, insulation class F, temperature rise class B
6000 V, 50 Hz

Output [kW]	Motor type	Speed [r/min]	Efficiency		Power factor		I_N [A]	I_S I_N [pu]	T_N [Nm]	T_S T_N [pu]	T_{max} T_N [pu]	Rotor inertia [kgm ²]	Motor weight [kg]	Sound pressure level L_p [dB(A)]
			Full load 100 %	3/4 load 75 %	Full load 100 %	3/4 load 75 %								
1000 r/min = 6 poles														
6000 V 50 Hz														
250	NMI 355L6A	990	93.7	93.3	0.75	0.67	34	6.3	2410	1.2	3.0	10.1	2470	78
280	NMI 355L6A	989	93.8	93.6	0.77	0.71	37	5.8	2703	1.1	2.7	10.1	2470	78
315	NMI 355L6A	989	94.1	94.1	0.80	0.74	40	5.9	3041	1.1	2.7	11.7	2650	78
355	NMI 355L6A	988	94.1	94.2	0.81	0.77	45	5.3	3433	1.0	2.4	11.7	2650	78
400	NMI 355L6A	988	94.4	94.3	0.78	0.73	52	5.1	3867	0.9	2.4	11.7	2680	78
450	NMI 355L6A	990	94.6	94.2	0.74	0.67	62	6.0	4340	1.2	2.9	14.1	2950	78
500	NMI 355L6A	990	95.0	94.7	0.81	0.75	63	6.4	4823	1.1	3.0	14.7	3030	78
560	NMI 400L6A	989	94.6	94.7	0.84	0.81	67	5.6	5407	0.8	2.6	20.6	3220	78
630	NMI 400L6A	989	94.8	94.9	0.85	0.81	75	5.6	6084	0.8	2.6	21.9	3330	78
710	NMI 400L6A	989	95.0	95.1	0.84	0.80	85	5.9	6856	0.9	2.7	23.2	3450	78
800	NMI 400L6A	990	95.3	95.3	0.85	0.81	96	5.8	7718	0.9	2.7	25.7	3660	78
900	NMI 450L6A	991	95.3	95.4	0.85	0.82	107	5.4	8675	0.7	2.4	36.7	4060	79
1000	NMI 450L6A	991	95.4	95.6	0.85	0.81	119	5.7	9636	0.8	2.5	39.1	4190	79
1120	NMI 450L6A	991	95.7	95.7	0.83	0.79	135	6.2	10791	0.9	2.8	41.4	4350	79
1250	NMI 450L6A	991	95.8	95.8	0.83	0.79	151	6.1	12047	0.9	2.7	46.8	4630	79
1400	NMI 450L6A	992	96.0	96.0	0.84	0.79	168	6.5	13478	0.9	2.9	53.8	5030	79
1600	NMI 500L6A	991	95.8	95.9	0.84	0.80	192	6.1	15415	1.0	2.8	66.9	5530	79
1800	NMI 500L6A	991	96.0	96.1	0.85	0.81	213	5.9	17341	0.9	2.7	74.4	5880	79
2000	NMI 500L6A	992	96.2	96.3	0.87	0.84	230	6.0	19256	0.9	2.6	90.2	6520	79
2120	NMI 500L6A	992	96.3	96.4	0.86	0.83	247	6.0	20411	0.8	2.6	94.0	6720	79
2240	NMI 560L6A	992	96.0	96.1	0.87	0.85	259	5.2	21559	0.6	2.3	123.1	8240	83
2500	NMI 560L6A	992	96.1	96.2	0.87	0.85	289	5.1	24067	0.6	2.3	128.7	8440	83
2800	NMI 560L6A	992	96.2	96.4	0.88	0.86	319	5.4	26943	0.6	2.4	145.8	9070	83
3150	NMI 560L6A	993	96.4	96.6	0.88	0.87	357	4.8	30294	0.5	2.1	157.9	9690	83
3550	NMI 560L6A	993	96.6	96.6	0.87	0.84	407	6.0	34132	0.7	2.7	174.3	10180	83
3700	NMI 560L6A	993	96.6	96.7	0.87	0.85	422	6.0	35572	0.7	2.6	185.2	10610	83
4000	NMI 560L6A	993	96.8	96.9	0.86	0.84	461	5.9	38453	0.8	2.5	182.7	10720	83
4500	NMI 630L6A	995	96.8	96.8	0.86	0.84	518	5.9	43207	0.7	2.6	267.5	12730	84
5000	NMI 630L6A	995	96.9	96.9	0.85	0.83	582	6.0	47995	0.7	2.6	294.1	13530	84
5600	NMI 630L6A	995	97.0	97.0	0.85	0.82	654	5.7	53752	0.6	2.5	329.9	14640	84

Modular induction motors, type NMI

Technical data

IP55, IC611, insulation class F, temperature rise class B
10000 V, 50 Hz

Output [kW]	Motor type	Speed [r/min]	Efficiency		Power factor		I_N [A]	I_S I_N [pu]	T_N [Nm]	T_S T_N [pu]	T_{max} T_N [pu]	Rotor inertia [kgm ²]	Motor weight [kg]	Sound pressure level L_p [dB(A)]
			Full load 100 %	3/4 load 75 %	Full load 100 %	3/4 load 75 %								
3000 r/min = 2 poles														
10000 V 50 Hz														
280	NMI 355L2A	2975	93.5	93.0	0.85	0.80	20	6.9	899	0.8	3.5	4.9	2420	87
315	NMI 355L2A	2974	93.8	93.4	0.87	0.83	22	7.0	1011	0.8	3.4	5.3	2510	87
355	NMI 355L2A	2971	93.9	93.7	0.88	0.85	25	6.3	1141	0.7	3.0	5.3	2510	87
400	NMI 355L2A	2967	93.9	93.9	0.88	0.86	28	5.6	1287	0.6	2.7	5.3	2510	87
450	NMI 355L2A	2962	93.8	94.1	0.89	0.87	31	5.0	1451	0.5	2.4	5.3	2510	87
500	NMI 400L2A	2978	94.2	93.9	0.88	0.85	35	6.2	1603	0.6	3.0	7.2	2940	87
560	NMI 400L2A	2975	94.3	94.1	0.89	0.86	39	5.6	1798	0.5	2.7	7.2	2940	87
630	NMI 400L2A	2977	94.5	94.4	0.89	0.87	43	5.8	2021	0.6	2.7	7.7	3030	87
710	NMI 400L2A	2978	94.9	94.8	0.90	0.87	48	6.1	2277	0.6	2.8	8.3	3150	87
800	NMI 400L2A	2977	95.1	95.1	0.91	0.89	54	5.9	2566	0.6	2.7	8.9	3270	87
900	NMI 400L2A	2979	95.4	95.4	0.90	0.88	60	6.4	2885	0.7	2.9	9.5	3400	87
1000	NMI 400L2A	2979	95.4	95.3	0.91	0.89	67	6.4	3206	0.7	2.9	10.0	3510	87
1100	NMI 400L2A	2979	95.5	95.5	0.91	0.89	73	6.5	3526	0.7	3.0	10.6	3630	87
1120	NMI 450L2A	2982	95.4	95.3	0.90	0.88	75	6.1	3586	0.5	3.0	14.4	4120	88
1250	NMI 450L2A	2982	95.6	95.6	0.91	0.89	83	6.1	4003	0.5	2.9	15.3	4270	88
1400	NMI 450L2A	2981	95.6	95.5	0.91	0.90	92	6.1	4484	0.5	2.9	16.2	4420	88
1600	NMI 450L2A	2982	95.9	95.8	0.91	0.89	106	6.4	5123	0.5	3.1	18.1	4730	88
1800	NMI 500L2A	2984	95.9	95.8	0.93	0.92	117	6.2	5760	0.5	3.0	26.5	5390	89
2000	NMI 500L2A	2982	95.9	95.7	0.92	0.91	131	5.5	6405	0.4	2.7	26.5	5490	89
2240	NMI 500L2A	2983	96.1	96.0	0.92	0.90	147	6.0	7170	0.5	2.9	28.0	5670	89
2500	NMI 500L2A	2981	96.2	96.1	0.91	0.90	165	6.2	8007	0.5	3.0	31.6	6040	89
2800	NMI 560L2A	2981	96.1	95.9	0.92	0.92	183	6.0	8969	0.5	2.8	52.9	9480	87
3100	NMI 560L2A	2980	96.1	96.0	0.91	0.90	204	5.9	9934	0.5	2.9	56.0	9760	87
3550	NMI 560L2A	2983	96.6	96.5	0.93	0.93	228	6.0	11364	0.5	2.9	56.3	10110	87
4000	NMI 560L2A	2985	96.7	96.7	0.94	0.94	255	6.0	12797	0.5	2.8	62.9	10710	87
4400	NMI 630L2A	2986	96.1	95.9	0.93	0.92	285	6.0	14072	0.5	2.8	116.1	13400	88
4800	NMI 630L2A	2985	96.2	96.1	0.94	0.94	305	6.0	15355	0.4	2.8	120.5	13700	88
5300	NMI 630L2A	2986	96.4	96.2	0.94	0.94	338	6.2	16947	0.4	2.9	131.4	14500	88

Modular induction motors, type NMI

Technical data

IP55, IC611, insulation class F, temperature rise class B
10000 V, 50 Hz

Output [kW]	Motor type	Speed [r/min]	Efficiency		Power factor		I_N [A]	I_S I_N [pu]	T_N [Nm]	T_S T_N [pu]	T_{max} T_N [pu]	Rotor inertia [kgm ²]	Motor weight [kg]	Sound pressure level L_p [dB(A)]
			Full load 100 %	3/4 load 75 %	Full load 100 %	3/4 load 75 %								
1500 r/min = 4 poles														
10000 V 50 Hz														
315	NMI 355L4A	1486	93.8	93.3	0.76	0.69	25	7.0	2024	1.1	3.7	7.9	2500	81
355	NMI 355L4A	1485	94.0	93.7	0.78	0.72	28	6.6	2282	1.1	3.3	7.9	2500	81
400	NMI 355L4A	1485	94.2	93.8	0.78	0.71	32	6.8	2572	1.1	3.5	8.4	2590	81
450	NMI 355L4A	1484	94.3	94.1	0.79	0.73	35	6.9	2895	1.1	3.5	9.0	2660	81
500	NMI 355L4A	1484	94.4	94.3	0.81	0.75	38	6.5	3217	1.1	3.2	9.0	2660	81
560	NMI 400L4A	1487	94.3	94.2	0.85	0.81	40	6.0	3597	0.8	2.7	17.0	3170	81
630	NMI 400L4A	1487	94.4	94.3	0.84	0.80	46	6.4	4045	0.9	2.9	18.2	3260	81
710	NMI 400L4A	1489	94.8	94.7	0.85	0.80	51	6.4	4553	0.9	2.8	18.8	3360	81
800	NMI 400L4A	1489	95.0	95.0	0.86	0.82	57	6.4	5132	0.9	2.8	19.9	3480	81
900	NMI 400L4A	1489	95.0	94.9	0.86	0.83	63	6.5	5772	0.8	2.9	20.8	3590	81
1000	NMI 400L4A	1489	95.3	95.2	0.85	0.80	72	6.3	6413	0.8	2.8	21.8	3710	81
1120	NMI 450L4A	1488	95.0	94.9	0.86	0.82	80	6.0	7190	0.7	2.9	27.7	4130	83
1250	NMI 450L4A	1487	95.2	95.2	0.86	0.83	88	6.0	8025	0.7	2.9	29.3	4270	83
1400	NMI 450L4A	1488	95.4	95.3	0.85	0.82	99	6.5	8987	0.8	3.1	32.7	4560	83
1600	NMI 450L4A	1489	95.8	95.8	0.87	0.84	111	6.2	10258	0.7	2.9	35.8	4850	83
1800	NMI 500L4A	1488	95.6	95.6	0.91	0.89	120	6.4	11553	0.8	2.9	55.6	5760	84
2000	NMI 500L4A	1488	95.7	95.7	0.89	0.86	136	6.2	12834	0.7	2.8	58.4	5930	84
2240	NMI 500L4A	1489	95.9	95.9	0.90	0.88	150	5.9	14369	0.6	2.7	60.9	6100	84
2370	NMI 500L4A	1489	96.1	96.1	0.89	0.86	161	6.2	15204	0.7	2.8	64.2	6330	84
2500	NMI 560L4A	1491	95.8	95.7	0.88	0.86	171	6.0	16015	0.6	2.8	96.3	8560	86
2800	NMI 560L4A	1491	96.0	95.9	0.89	0.87	190	6.0	17937	0.6	2.8	104.5	8990	86
3150	NMI 560L4A	1491	96.1	96.1	0.88	0.86	214	6.0	20180	0.6	2.8	108.7	9220	86
3550	NMI 560L4A	1490	96.3	96.3	0.89	0.87	240	6.0	22749	0.6	2.8	113.1	9470	86
3900	NMI 560L4A	1491	96.4	96.4	0.89	0.87	263	6.0	24986	0.6	2.7	122.1	9930	86
4500	NMI 560L4A	1490	96.7	96.6	0.87	0.85	309	6.0	28834	0.7	2.8	129.9	10480	86
5000	NMI 630L4A	1492	96.5	96.5	0.91	0.90	330	5.9	31993	0.6	2.6	210.2	12820	87
5600	NMI 630L4A	1493	96.7	96.6	0.88	0.86	380	6.2	35811	0.6	2.8	230.5	13650	87
6000	NMI 630L4A	1493	96.8	96.7	0.88	0.87	405	6.2	38368	0.6	2.8	244.8	14200	87

Modular induction motors, type NMI

Technical data

IP55, IC611, insulation class F, temperature rise class B
10000 V, 50 Hz

Output [kW]	Motor type	Speed [r/min]	Efficiency		Power factor		I_N [A]	I_S I_N [pu]	T_N [Nm]	T_S T_N [pu]	T_{max} T_N [pu]	Rotor inertia [kgm ²]	Motor weight [kg]	Sound pressure level L_p [dB(A)]
			Full load 100 %	3/4 load 75 %	Full load 100 %	3/4 load 75 %								
1000 r/min = 6 poles														
10000 V 50 Hz														
250	NMI 355L6A	994	94.1	93.5	0.73	0.65	21	8.4	2402	1.5	4.2	13.7	2680	78
280	NMI 355L6A	993	94.3	93.8	0.76	0.68	23	7.8	2692	1.3	3.8	13.7	2680	78
315	NMI 355L6A	992	94.4	94.1	0.78	0.72	25	7.1	3031	1.2	3.4	13.7	2680	78
355	NMI 355L6A	991	94.4	94.3	0.81	0.75	27	6.5	3420	1.0	3.0	13.7	2680	78
400	NMI 355L6A	990	94.3	94.5	0.82	0.77	30	5.9	3858	0.9	2.6	13.7	2680	78
450	NMI 400L6A	993	94.0	93.7	0.78	0.72	35	6.2	4329	1.0	2.9	19.0	3340	78
500	NMI 400L6A	992	94.1	93.9	0.80	0.74	38	5.7	4814	0.9	2.6	19.0	3340	78
560	NMI 400L6A	991	94.5	94.3	0.81	0.76	42	5.7	5394	0.9	2.5	20.1	3460	78
630	NMI 400L6A	991	94.4	94.3	0.80	0.74	48	5.5	6069	0.9	2.5	20.1	3480	78
710	NMI 450L6A	991	94.6	94.6	0.83	0.79	52	5.8	6839	0.8	2.7	31.5	4030	79
800	NMI 450L6A	991	94.8	94.9	0.84	0.81	58	5.5	7709	0.7	2.5	33.9	4180	79
900	NMI 450L6A	992	95.1	95.1	0.82	0.77	67	5.5	8666	0.7	2.6	35.9	4350	79
1000	NMI 450L6A	991	95.3	95.3	0.82	0.78	74	5.6	9632	0.8	2.6	37.5	4470	79
1120	NMI 450L6A	991	95.4	95.5	0.83	0.80	81	5.1	10791	0.6	2.3	41.2	4740	79
1250	NMI 500L6A	992	95.4	95.4	0.84	0.79	90	6.3	12029	0.9	2.8	64.0	5310	79
1400	NMI 500L6A	993	95.5	95.5	0.82	0.78	103	6.3	13469	0.9	2.8	67.9	5480	79
1600	NMI 500L6A	992	95.7	95.7	0.82	0.78	117	5.9	15395	0.8	2.6	75.5	5820	79
1700	NMI 500L6A	993	95.7	95.8	0.84	0.80	122	6.2	16352	0.8	2.8	83.4	6100	79
1800	NMI 500L6A	993	95.9	95.9	0.84	0.79	130	6.1	17318	0.9	2.7	87.8	6330	79
2000	NMI 560L6A	992	95.5	95.6	0.85	0.83	141	5.4	19254	0.6	2.4	128.1	8350	83
2240	NMI 560L6A	992	95.8	95.8	0.87	0.84	156	5.6	21564	0.6	2.5	140.2	8800	83
2500	NMI 560L6A	993	96.0	96.0	0.86	0.84	174	5.8	24043	0.7	2.6	150.0	9200	83
2800	NMI 560L6A	992	96.1	96.1	0.86	0.83	196	6.0	26957	0.7	2.8	158.4	9480	83
3150	NMI 560L6A	993	96.4	96.4	0.86	0.83	219	5.9	30294	0.7	2.6	166.5	9910	83
3550	NMI 630L6A	995	96.5	96.4	0.85	0.82	251	5.6	34078	0.6	2.5	245.1	12070	84
4000	NMI 630L6A	995	96.6	96.5	0.84	0.81	283	5.9	38387	0.6	2.6	272.2	12830	84
4500	NMI 630L6A	995	96.7	96.7	0.84	0.81	319	5.9	43191	0.6	2.6	290.2	13430	84
4900	NMI 630L6A	995	96.8	96.8	0.84	0.80	349	6.0	47025	0.7	2.6	308.3	13970	84

Modular induction motors, type NMI

Technical data

IP55, IC81W, insulation class F, temperature rise class B
690 V, 50 Hz

Output [kW]	Motor type	Speed [r/min]	Efficiency		Power factor		I_N [A]	I_S I_N [pu]	T_N [Nm]	T_S T_N [pu]	T_{max} T_N [pu]	Rotor inertia [kgm ²]	Motor weight [kg]	Sound pressure level L_p [dB(A)]
			Full load 100 %	3/4 load 75 %	Full load 100 %	3/4 load 75 %								
3000 r/min = 2 poles														
690 V 50 Hz														
250	NMI 355L2L	2975	94.7	94.5	0.91	0.90	243	5.9	803	0.6	2.8	4.2	2370	76
280	NMI 355L2L	2971	94.7	94.7	0.91	0.90	271	5.3	900	0.5	2.5	4.2	2370	76
315	NMI 355L2L	2967	94.6	94.8	0.91	0.91	306	4.7	1014	0.5	2.2	4.2	2370	76
355	NMI 355L2L	2977	95.2	95.1	0.89	0.87	350	6.5	1139	0.7	3.2	4.2	2380	76
400	NMI 355L2L	2974	95.3	95.3	0.90	0.88	392	5.8	1284	0.6	2.8	4.2	2380	76
450	NMI 355L2L	2971	95.2	95.4	0.90	0.89	439	5.2	1447	0.5	2.5	4.2	2380	76
500	NMI 355L2L	2967	95.1	95.4	0.90	0.89	489	4.7	1609	0.5	2.3	4.2	2380	76
560	NMI 355L2L	2962	94.9	95.4	0.90	0.90	551	4.1	1805	0.4	2.0	4.2	2380	76
630	NMI 355L2L	2960	95.3	95.7	0.90	0.89	613	5.3	2032	0.7	2.6	4.7	2490	76
710	NMI 355L2L	2961	95.3	95.7	0.90	0.89	690	5.1	2290	0.6	2.5	5.1	2570	76
800	NMI 355L2L	2961	95.3	95.9	0.90	0.91	779	4.3	2580	0.5	2.0	4.9	2570	76
850	NMI 355L2L	2958	95.1	95.8	0.90	0.91	833	4.0	2744	0.4	1.9	4.9	2570	76
900	NMI 400L2L	2971	95.6	95.9	0.91	0.90	869	4.7	2892	0.5	2.2	8.7	3070	76
1000	NMI 400L2L	2968	95.5	95.9	0.90	0.91	972	4.2	3218	0.4	2.0	8.7	3080	76
1120	NMI 400L2L	2975	96.1	96.3	0.91	0.90	1071	5.4	3595	0.6	2.5	10.1	3330	76
1250	NMI 400L2L	2972	96.0	96.4	0.91	0.91	1200	4.8	4017	0.5	2.2	10.1	3330	76
1400	NMI 400L2L	2968	95.9	96.4	0.90	0.91	1354	4.3	4505	0.4	2.0	10.1	3330	76
1500	NMI 400L2L	2968	95.8	96.3	0.91	0.92	1445	4.1	4826	0.4	1.9	10.9	3440	76
1600	NMI 450L2L	2978	96.4	96.6	0.91	0.90	1532	5.7	5131	0.6	2.7	15.8	4440	77
1800	NMI 450L2L	2974	96.4	96.6	0.90	0.91	1729	5.0	5779	0.5	2.4	15.8	4440	77
2000	NMI 450L2L	2971	96.2	96.6	0.90	0.91	1931	4.5	6428	0.5	2.2	15.8	4440	77
2240	NMI 450L2L	2971	96.2	96.6	0.90	0.91	2161	4.4	7200	0.5	2.1	16.9	4600	77
2500	NMI 500L2L	2977	96.4	96.7	0.92	0.93	2353	5.0	8020	0.4	2.4	25.6	5420	77
2800	NMI 500L2L	2976	96.5	96.7	0.92	0.92	2651	5.0	8986	0.4	2.5	27.8	5630	77
3150	NMI 500L2L	2974	96.6	96.8	0.91	0.91	2993	5.4	10113	0.5	2.6	31.5	6000	77

Modular induction motors, type NMI

Technical data

IP55, IC81W, insulation class F, temperature rise class B
690 V, 50 Hz

Output [kW]	Motor type	Speed [r/min]	Efficiency		Power factor		I_N [A]	I_S I_N [pu]	T_N [Nm]	T_S T_N [pu]	T_{max} T_N [pu]	Rotor inertia [kgm ²]	Motor weight [kg]	Sound pressure level L_p [dB(A)]
			Full load 100 %	3/4 load 75 %	Full load 100 %	3/4 load 75 %								
1500 r/min = 4 poles														
690 V 50 Hz														
250	NMI 355L4L	1484	95.3	95.4	0.88	0.85	251	5.9	1608	0.9	2.7	6.5	2370	74
280	NMI 355L4L	1482	95.2	95.4	0.88	0.86	279	5.3	1804	0.8	2.4	6.5	2370	74
315	NMI 355L4L	1480	95.0	95.5	0.88	0.87	314	4.8	2033	0.7	2.1	6.5	2370	74
355	NMI 355L4L	1476	94.8	95.4	0.88	0.88	355	4.2	2296	0.6	1.9	6.5	2370	74
400	NMI 355L4L	1479	95.1	95.6	0.87	0.85	404	4.8	2582	0.7	2.1	6.5	2370	74
450	NMI 355L4L	1476	94.8	95.5	0.87	0.86	455	4.3	2911	0.6	1.9	6.5	2370	74
500	NMI 355L4L	1475	95.0	95.5	0.87	0.85	506	5.0	3237	0.9	2.3	6.6	2380	74
560	NMI 355L4L	1475	94.9	95.7	0.87	0.87	566	4.1	3625	0.6	1.9	7.0	2470	74
630	NMI 355L4L	1476	95.2	95.9	0.88	0.88	627	4.4	4075	0.7	1.9	8.1	2660	74
710	NMI 355L4L	1479	95.6	96.1	0.88	0.87	703	5.0	4583	0.8	2.2	9.1	2830	74
800	NMI 355L4L	1476	95.3	96.0	0.88	0.88	796	4.4	5176	0.7	2.0	9.1	2830	74
900	NMI 400L4L	1481	95.6	96.0	0.88	0.87	898	4.7	5802	0.7	2.1	14.1	3050	74
1000	NMI 400L4L	1482	95.8	96.2	0.88	0.87	993	4.9	6443	0.7	2.2	15.2	3170	74
1120	NMI 400L4L	1483	96.0	96.3	0.88	0.86	1114	5.2	7211	0.8	2.3	16.4	3300	74
1250	NMI 400L4L	1483	96.1	96.4	0.87	0.85	1246	5.7	8049	0.9	2.6	17.7	3430	74
1400	NMI 400L4L	1481	96.0	96.5	0.89	0.88	1377	4.9	9024	0.8	2.1	18.6	3540	74
1600	NMI 400L4L	1483	96.2	96.6	0.89	0.88	1569	5.3	10304	0.9	2.3	20.8	3760	74
1800	NMI 450L4L	1482	95.9	96.3	0.91	0.90	1734	5.4	11595	0.7	2.5	31.1	4230	75
2000	NMI 450L4L	1483	95.9	96.4	0.91	0.90	1920	5.0	12874	0.6	2.2	34.2	4470	75
2240	NMI 450L4L	1483	96.2	96.6	0.91	0.90	2141	6.0	14420	0.8	2.7	36.9	4660	75
2500	NMI 450L4L	1483	96.2	96.6	0.90	0.89	2410	5.6	16100	0.8	2.6	38.9	4820	75
2800	NMI 500L4L	1485	96.5	96.8	0.91	0.90	2682	5.1	18011	0.6	2.3	56.6	5970	75
3150	NMI 500L4L	1485	96.4	96.8	0.90	0.90	3049	4.3	20259	0.5	1.9	57.8	6150	75

Modular induction motors, type NMI

Technical data

IP55, IC81W, insulation class F, temperature rise class B
690 V, 50 Hz

Output [kW]	Motor type	Speed [r/min]	Efficiency		Power factor		I_N [A]	I_s I_N [pu]	T_N [Nm]	T_s T_N [pu]	T_{max} T_N [pu]	Rotor inertia [kgm ²]	Motor weight [kg]	Sound pressure level L_p [dB(A)]
			Full load 100 %	3/4 load 75 %	Full load 100 %	3/4 load 75 %								
1000 r/min = 6 poles														
690 V 50 Hz														
250	NMI 355L6L	985	94.7	94.9	0.84	0.80	265	5.4	2422	1.0	2.4	8.7	2340	73
280	NMI 355L6L	983	94.5	94.9	0.84	0.81	294	4.8	2719	0.9	2.1	8.7	2340	73
315	NMI 355L6L	981	94.2	94.9	0.85	0.83	330	4.3	3066	0.8	1.9	8.7	2340	73
355	NMI 355L6L	986	94.8	95.0	0.82	0.77	383	5.7	3438	1.2	2.5	9.5	2420	73
400	NMI 355L6L	984	94.6	95.1	0.83	0.79	426	5.1	3882	1.0	2.2	9.5	2420	73
450	NMI 355L6L	984	94.8	95.3	0.83	0.80	476	5.1	4368	1.0	2.2	10.3	2520	73
500	NMI 355L6L	984	94.9	95.3	0.83	0.80	530	5.2	4851	1.1	2.3	11.1	2610	73
560	NMI 355L6L	984	95.0	95.5	0.84	0.81	585	5.2	5435	1.1	2.2	12.7	2790	73
630	NMI 400L6L	987	95.0	95.4	0.84	0.81	658	4.9	6097	0.7	2.2	17.7	3040	73
710	NMI 400L6L	986	95.1	95.6	0.85	0.83	733	4.6	6878	0.7	2.1	19.0	3160	73
800	NMI 400L6L	985	95.0	95.5	0.86	0.84	823	4.5	7755	0.6	2.0	20.4	3260	73
900	NMI 400L6L	985	95.4	95.8	0.85	0.83	925	4.6	8726	0.7	2.1	21.7	3430	73
1000	NMI 400L6L	985	95.5	95.9	0.85	0.83	1029	4.6	9694	0.7	2.1	23.0	3540	73
1120	NMI 400L6L	985	95.6	95.9	0.85	0.82	1158	4.7	10855	0.7	2.2	24.4	3660	73
1250	NMI 450L6L	988	95.7	96.2	0.88	0.87	1236	5.2	12085	0.8	2.3	37.1	4120	74
1400	NMI 450L6L	988	95.9	96.3	0.88	0.86	1391	5.6	13525	0.9	2.5	39.5	4260	74
1600	NMI 450L6L	989	96.0	96.5	0.88	0.86	1581	5.8	15453	1.0	2.5	44.4	4540	74
1800	NMI 450L6L	989	96.2	96.5	0.87	0.85	1796	6.0	17378	1.1	2.6	49.6	4820	74
1900	NMI 450L6L	988	96.2	96.6	0.89	0.87	1867	5.4	18362	0.9	2.4	49.5	4860	74
2000	NMI 500L6L	987	96.0	96.5	0.88	0.87	1990	4.3	19344	0.6	1.9	68.3	5680	74
2240	NMI 500L6L	989	96.2	96.5	0.87	0.85	2244	5.0	21637	0.7	2.2	71.2	5820	74
2500	NMI 500L6L	989	96.3	96.6	0.86	0.83	2524	5.4	24131	0.8	2.4	79.7	6190	74
2650	NMI 500L6L	989	96.3	96.6	0.86	0.84	2673	5.1	25583	0.8	2.3	87.8	6520	74

Modular induction motors, type NMI

Technical data

IP55, IC81W, insulation class F, temperature rise class B
3000 V, 50 Hz

Output [kW]	Motor type	Speed [r/min]	Efficiency		Power factor		I_N [A]	I_S I_N [pu]	T_N [Nm]	T_S T_N [pu]	T_{max} T_N [pu]	Rotor inertia [kgm ²]	Motor weight [kg]	Sound pressure level L_p [dB(A)]
			Full load 100 %	3/4 load 75 %	Full load 100 %	3/4 load 75 %								
3000 r/min = 2 poles														
3000 V 50 Hz														
250	NMI 355L2L	2975	94.6	94.4	0.91	0.89	56	6.6	802	0.7	3.2	4.2	2350	76
280	NMI 355L2L	2977	94.6	94.4	0.90	0.88	63	6.9	898	0.7	3.3	4.2	2340	76
315	NMI 355L2L	2974	94.7	94.6	0.90	0.89	71	6.2	1011	0.6	3.0	4.2	2340	76
355	NMI 355L2L	2970	94.6	94.8	0.91	0.90	80	5.5	1141	0.6	2.6	4.2	2340	76
400	NMI 355L2L	2974	94.9	95.0	0.89	0.87	91	6.1	1285	0.6	2.9	4.2	2340	76
450	NMI 355L2L	2970	94.8	95.1	0.90	0.88	102	5.4	1447	0.6	2.6	4.2	2340	76
500	NMI 355L2L	2968	95.1	95.4	0.89	0.88	113	5.4	1609	0.6	2.6	4.2	2350	76
560	NMI 355L2L	2964	94.9	95.4	0.89	0.89	127	4.8	1804	0.5	2.3	4.2	2350	76
630	NMI 355L2L	2965	95.2	95.6	0.90	0.89	142	5.0	2029	0.5	2.4	4.6	2450	76
710	NMI 355L2L	2964	95.2	95.7	0.91	0.90	159	4.8	2287	0.5	2.3	4.9	2540	76
800	NMI 355L2L	2964	95.3	95.8	0.91	0.91	178	4.8	2578	0.5	2.3	5.3	2630	76
900	NMI 355L2L	2964	95.3	95.9	0.91	0.91	199	4.8	2900	0.6	2.3	5.7	2730	76
1000	NMI 355L2L	2965	95.5	96.0	0.91	0.91	221	5.0	3221	0.6	2.3	6.1	2820	76
1120	NMI 400L2L	2968	95.6	96.0	0.91	0.91	248	4.7	3604	0.5	2.2	9.5	3170	76
1250	NMI 400L2L	2969	95.8	96.2	0.91	0.91	276	4.9	4021	0.5	2.3	10.2	3290	76
1400	NMI 400L2L	2969	95.9	96.4	0.92	0.92	305	5.0	4503	0.5	2.3	11.7	3520	76
1600	NMI 400L2L	2970	96.1	96.5	0.92	0.92	348	5.3	5144	0.6	2.4	12.3	3640	76
1700	NMI 400L2L	2969	96.0	96.5	0.92	0.92	371	5.0	5467	0.6	2.3	12.4	3640	76
1800	NMI 450L2L	2971	96.2	96.6	0.91	0.90	398	5.0	5785	0.5	2.4	13.7	4130	77
2000	NMI 450L2L	2969	96.1	96.5	0.91	0.91	441	4.5	6433	0.4	2.2	14.7	4290	77
2240	NMI 450L2L	2971	96.3	96.6	0.90	0.90	496	4.7	7200	0.4	2.3	15.6	4430	77
2400	NMI 450L2L	2971	96.3	96.7	0.90	0.91	532	4.4	7715	0.4	2.1	16.7	4600	77
2500	NMI 500L2L	2974	96.1	96.3	0.91	0.91	549	4.8	8027	0.4	2.4	24.0	5190	77
2800	NMI 500L2L	2974	96.2	96.5	0.92	0.92	612	4.7	8990	0.4	2.3	25.2	5360	77
3150	NMI 500L2L	2976	96.4	96.7	0.92	0.92	682	5.1	10107	0.4	2.4	28.4	5740	77
3550	NMI 500L2L	2975	96.5	96.8	0.92	0.93	768	4.7	11394	0.4	2.3	30.3	5970	77
4000	NMI 560L2L	2975	96.7	96.9	0.93	0.93	856	5.0	12838	0.4	2.4	56.8	9450	74
4500	NMI 560L2L	2980	97.0	97.1	0.93	0.93	958	5.6	14418	0.5	2.6	58.0	9720	74
4900	NMI 560L2L	2981	97.0	97.1	0.93	0.93	1045	5.6	15697	0.4	2.7	60.6	9930	74
5400	NMI 560L2L	2981	97.1	97.2	0.93	0.92	1157	5.9	17297	0.4	2.9	64.5	10490	74
5800	NMI 560L2L	2980	97.1	97.3	0.93	0.93	1234	5.8	18587	0.4	2.8	65.2	10610	74
6200	NMI 630L2L	2981	96.9	96.9	0.93	0.93	1324	5.9	19862	0.5	2.9	113.3	12720	75
6900	NMI 630L2L	2979	96.9	97.0	0.93	0.93	1473	5.5	22115	0.4	2.7	117.7	12990	75
7500	NMI 630L2L	2982	97.1	97.1	0.93	0.93	1592	5.8	24020	0.5	2.8	124.6	13640	75
8000	NMI 630L2L	2981	97.1	97.2	0.93	0.93	1698	5.6	25625	0.5	2.7	129.2	14030	75

Modular induction motors, type NMI

Technical data

IP55, IC81W, insulation class F, temperature rise class B
3000 V, 50 Hz

Output [kW]	Motor type	Speed [r/min]	Efficiency		Power factor		I_N [A]	I_S I_N [pu]	T_N [Nm]	T_S T_N [pu]	T_{max} T_N [pu]	Rotor inertia [kgm ²]	Motor weight [kg]	Sound pressure level L_p [dB(A)]
			Full load 100 %	3/4 load 75 %	Full load 100 %	3/4 load 75 %								
1500 r/min = 4 poles														
3000 V 50 Hz														
250	NMI 355L4L	1487	95.2	95.2	0.85	0.80	60	6.9	1606	1.1	3.2	6.5	2340	74
280	NMI 355L4L	1485	95.2	95.3	0.86	0.82	66	6.3	1800	1.0	2.8	6.5	2340	74
315	NMI 355L4L	1483	95.1	95.4	0.87	0.84	73	5.6	2028	0.8	2.5	6.5	2340	74
355	NMI 355L4L	1483	95.1	95.2	0.83	0.78	86	7.0	2285	1.2	3.4	6.6	2340	74
400	NMI 355L4L	1481	95.0	95.2	0.85	0.81	95	6.3	2579	1.1	3.0	6.6	2340	74
450	NMI 355L4L	1480	95.2	95.5	0.87	0.83	105	6.1	2904	1.1	2.8	7.2	2450	74
500	NMI 355L4L	1479	95.2	95.6	0.88	0.85	115	5.9	3228	1.0	2.7	7.7	2530	74
560	NMI 355L4L	1478	95.3	95.8	0.88	0.86	128	5.8	3617	1.0	2.7	8.3	2630	74
630	NMI 355L4L	1478	95.3	95.8	0.89	0.86	144	5.8	4071	1.1	2.6	8.8	2710	74
710	NMI 355L4L	1478	95.5	95.9	0.89	0.86	162	5.9	4587	1.1	2.7	9.4	2820	74
800	NMI 355L4L	1476	95.3	95.9	0.89	0.88	181	5.4	5174	0.9	2.5	9.3	2820	74
900	NMI 400L4L	1484	95.7	95.9	0.87	0.84	209	5.4	5793	0.7	2.5	14.0	3040	74
1000	NMI 400L4L	1482	95.6	96.0	0.89	0.87	227	4.9	6445	0.7	2.2	15.1	3140	74
1120	NMI 400L4L	1482	95.8	96.2	0.89	0.88	254	5.0	7217	0.7	2.2	16.2	3270	74
1250	NMI 400L4L	1483	95.9	96.3	0.89	0.87	283	5.2	8051	0.7	2.3	17.3	3380	74
1400	NMI 400L4L	1484	96.0	96.4	0.88	0.86	319	5.6	9010	0.8	2.5	18.4	3500	74
1500	NMI 400L4L	1481	95.9	96.4	0.89	0.89	337	5.0	9669	0.7	2.2	19.5	3620	74
1600	NMI 450L4L	1484	95.8	96.1	0.88	0.87	364	5.1	10296	0.6	2.4	31.3	4220	75
1800	NMI 450L4L	1485	96.1	96.3	0.89	0.88	405	5.4	11578	0.6	2.5	35.3	4500	75
2000	NMI 450L4L	1484	96.0	96.3	0.89	0.88	450	5.3	12866	0.6	2.5	37.2	4610	75
2240	NMI 450L4L	1487	96.3	96.6	0.89	0.88	503	5.2	14386	0.6	2.3	40.8	4890	75
2370	NMI 450L4L	1486	96.3	96.6	0.88	0.87	539	4.7	15232	0.5	2.1	40.8	4910	75
2500	NMI 500L4L	1484	96.0	96.4	0.89	0.87	564	5.0	16090	0.6	2.4	48.0	5390	75
2800	NMI 500L4L	1483	96.2	96.6	0.91	0.90	618	4.8	18032	0.5	2.2	53.8	5770	75
3150	NMI 500L4L	1484	96.3	96.7	0.91	0.91	692	5.1	20273	0.6	2.4	59.9	6110	75
3550	NMI 500L4L	1485	96.5	96.9	0.91	0.91	781	4.7	22835	0.5	2.1	64.7	6510	75
4000	NMI 560L4L	1485	96.4	96.7	0.89	0.90	893	4.4	25723	0.5	2.0	96.7	8150	77
4500	NMI 560L4L	1487	96.6	96.9	0.89	0.89	1007	4.7	28895	0.5	2.1	104.8	8620	77
5000	NMI 560L4L	1487	96.8	97.1	0.90	0.90	1102	5.1	32103	0.6	2.3	124.4	9550	77
5600	NMI 560L4L	1488	96.9	97.2	0.90	0.89	1239	5.0	35926	0.5	2.3	121.8	9500	77
6300	NMI 630L4L	1488	96.9	97.1	0.92	0.92	1363	4.8	40426	0.5	2.2	202.2	12210	78
7100	NMI 630L4L	1488	96.9	97.2	0.90	0.90	1570	5.0	45562	0.5	2.3	219.4	12780	78
7600	NMI 630L4L	1489	97.0	97.3	0.92	0.92	1643	5.1	48752	0.5	2.3	224.7	13050	78

Modular induction motors, type NMI

Technical data

IP55, IC81W, insulation class F, temperature rise class B
3000 V, 50 Hz

Output [kW]	Motor type	Speed [r/min]	Efficiency		Power factor		I_N [A]	I_S I_N [pu]	T_N [Nm]	T_S T_N [pu]	T_{max} T_N [pu]	Rotor inertia [kgm ²]	Motor weight [kg]	Sound pressure level L_p [dB(A)]
			Full load 100 %	3/4 load 75 %	Full load 100 %	3/4 load 75 %								
1000 r/min = 6 poles														
3000 V 50 Hz														
250	NMI 355L6L	986	94.3	94.6	0.83	0.79	61	5.5	2420	1.1	2.5	8.7	2310	73
280	NMI 355L6L	987	94.4	94.5	0.79	0.73	72	5.4	2708	1.0	2.5	8.6	2310	73
315	NMI 355L6L	986	94.4	94.6	0.82	0.77	78	5.4	3051	1.1	2.4	8.7	2310	73
355	NMI 355L6L	986	94.6	94.8	0.82	0.77	88	5.6	3437	1.2	2.5	9.5	2400	73
400	NMI 355L6L	986	94.7	95.0	0.82	0.79	99	5.0	3874	0.9	2.2	11.0	2580	73
450	NMI 355L6L	984	94.6	95.1	0.85	0.82	108	5.0	4367	1.0	2.2	11.1	2580	73
500	NMI 355L6L	986	94.8	95.1	0.81	0.77	125	5.0	4842	1.0	2.2	11.8	2670	73
560	NMI 355L6L	984	94.8	95.1	0.81	0.78	140	4.2	5436	0.7	1.9	11.8	2710	73
600	NMI 355L6L	984	94.8	95.2	0.83	0.80	146	4.6	5824	0.9	2.0	12.7	2790	73
630	NMI 400L6L	986	94.8	95.2	0.86	0.84	149	4.7	6104	0.7	2.2	17.8	3040	73
710	NMI 400L6L	988	95.2	95.3	0.84	0.80	172	5.4	6865	0.8	2.5	19.2	3150	73
800	NMI 400L6L	986	95.1	95.5	0.84	0.81	192	5.0	7749	0.8	2.3	19.2	3160	73
900	NMI 400L6L	987	95.3	95.6	0.84	0.81	216	5.4	8707	0.9	2.5	21.9	3370	73
1000	NMI 400L6L	987	95.4	95.6	0.84	0.81	239	5.4	9677	0.9	2.5	23.2	3480	73
1120	NMI 400L6L	986	95.4	95.8	0.86	0.84	263	5.1	10849	0.8	2.3	25.9	3710	73
1250	NMI 450L6L	990	95.9	96.1	0.85	0.82	297	5.5	12060	0.8	2.4	39.4	4240	74
1400	NMI 450L6L	990	95.9	96.3	0.86	0.84	326	5.3	13509	0.7	2.3	44.0	4490	74
1600	NMI 450L6L	990	96.1	96.4	0.85	0.83	376	5.5	15436	0.8	2.4	46.6	4650	74
1800	NMI 450L6L	990	96.2	96.4	0.86	0.83	420	5.5	17368	0.8	2.4	51.3	4920	74
2000	NMI 500L6L	989	96.1	96.5	0.87	0.84	463	5.2	19307	0.8	2.3	68.0	5610	74
2240	NMI 500L6L	990	96.3	96.6	0.87	0.84	517	5.5	21610	0.9	2.4	76.0	5950	74
2500	NMI 500L6L	990	96.3	96.7	0.87	0.85	572	5.3	24112	0.8	2.3	83.0	6250	74
2800	NMI 500L6L	990	96.4	96.7	0.85	0.83	656	4.9	27003	0.7	2.1	92.3	6640	74
3150	NMI 560L6L	991	96.5	96.8	0.85	0.84	738	4.4	30340	0.5	2.0	120.4	8100	76
3550	NMI 560L6L	991	96.6	96.9	0.87	0.87	810	4.4	34223	0.5	2.0	133.5	8610	76
4000	NMI 560L6L	990	96.6	97.0	0.88	0.88	907	4.4	38574	0.5	2.0	145.1	9050	76
4500	NMI 560L6L	991	96.8	97.0	0.87	0.86	1030	5.1	43355	0.7	2.2	170.0	9910	76
5000	NMI 630L6L	994	97.0	97.2	0.87	0.85	1144	5.3	48047	0.6	2.4	253.7	12130	77
5600	NMI 630L6L	993	97.0	97.1	0.87	0.86	1270	5.4	53880	0.7	2.4	289.2	13010	77
6500	NMI 630L6L	993	97.1	97.3	0.85	0.83	1520	5.0	62486	0.6	2.2	321.3	14060	77

Modular induction motors, type NMI

Technical data

IP55, IC81W, insulation class F, temperature rise class B
6000 V, 50 Hz

Output [kW]	Motor type	Speed [r/min]	Efficiency		Power factor		I_N [A]	I_S I_N [pu]	T_N [Nm]	T_S T_N [pu]	T_{max} T_N [pu]	Rotor inertia [kgm ²]	Motor weight [kg]	Sound pressure level L_p [dB(A)]
			Full load 100 %	3/4 load 75 %	Full load 100 %	3/4 load 75 %								
3000 r/min = 2 poles														
6000 V 50 Hz														
250	NMI 355L2L	2976	94.2	94.1	0.91	0.89	28	6.6	802	0.7	3.1	4.2	2310	76
280	NMI 355L2L	2972	94.2	94.2	0.91	0.90	31	5.9	900	0.6	2.8	4.2	2310	76
315	NMI 355L2L	2969	94.1	94.3	0.92	0.91	35	5.2	1013	0.5	2.4	4.2	2310	76
355	NMI 355L2L	2971	94.1	94.4	0.91	0.90	40	5.4	1141	0.5	2.5	4.2	2300	76
400	NMI 355L2L	2971	94.2	94.6	0.90	0.89	45	5.3	1286	0.5	2.5	4.2	2310	76
450	NMI 355L2L	2970	94.3	94.7	0.90	0.88	51	5.3	1447	0.5	2.5	4.2	2310	76
500	NMI 355L2L	2964	94.3	94.9	0.91	0.90	56	4.7	1611	0.5	2.2	4.2	2320	76
560	NMI 355L2L	2970	94.9	95.2	0.90	0.89	63	5.5	1800	0.6	2.6	4.6	2410	76
630	NMI 355L2L	2972	95.2	95.6	0.90	0.89	71	5.9	2024	0.7	2.8	4.9	2510	76
710	NMI 355L2L	2972	95.4	95.7	0.91	0.89	79	5.9	2282	0.7	2.8	5.3	2600	76
800	NMI 355L2L	2972	95.5	95.8	0.91	0.89	89	6.0	2570	0.7	2.8	5.7	2700	76
900	NMI 355L2L	2966	95.3	95.8	0.92	0.92	99	5.1	2897	0.6	2.4	6.1	2790	76
1000	NMI 400L2L	2971	95.5	95.9	0.91	0.91	110	4.8	3214	0.5	2.2	9.4	3130	76
1120	NMI 400L2L	2972	95.7	96.0	0.92	0.91	123	5.0	3599	0.5	2.3	10.1	3250	76
1250	NMI 400L2L	2973	95.9	96.2	0.92	0.91	137	5.3	4015	0.6	2.4	10.9	3370	76
1400	NMI 400L2L	2974	96.1	96.4	0.92	0.92	152	5.6	4495	0.6	2.5	12.3	3600	76
1600	NMI 400L2L	2977	96.3	96.6	0.92	0.91	174	6.1	5133	0.7	2.8	13.0	3720	76
1700	NMI 400L2L	2975	96.3	96.5	0.92	0.91	185	5.8	5457	0.7	2.6	13.0	3710	76
1800	NMI 450L2L	2974	96.2	96.5	0.91	0.91	198	5.4	5779	0.5	2.6	14.7	4220	77
2000	NMI 450L2L	2974	96.2	96.5	0.90	0.90	221	5.3	6421	0.5	2.6	15.6	4370	77
2240	NMI 450L2L	2973	96.3	96.6	0.90	0.91	248	4.8	7195	0.4	2.3	17.4	4690	77
2500	NMI 500L2L	2978	96.4	96.6	0.92	0.92	270	5.5	8015	0.4	2.7	25.9	5350	77
2800	NMI 500L2L	2980	96.6	96.7	0.92	0.92	303	5.8	8974	0.5	2.8	27.5	5540	77
3150	NMI 500L2L	2981	96.7	96.9	0.92	0.91	342	5.9	10091	0.5	2.8	30.3	5900	77
3550	NMI 500L2L	2979	96.7	96.9	0.92	0.92	384	5.9	11378	0.5	2.8	35.0	6440	77
3780	NMI 500L2L	2977	96.7	96.9	0.93	0.93	404	5.4	12124	0.5	2.5	35.4	6490	77
4000	NMI 560L2L	2981	96.7	96.8	0.92	0.92	431	5.3	12814	0.4	2.6	53.2	9080	74
4500	NMI 560L2L	2981	96.9	97.0	0.93	0.92	481	5.8	14416	0.5	2.8	58.5	9610	74
5000	NMI 560L2L	2979	96.8	97.0	0.93	0.93	534	5.0	16030	0.4	2.4	60.5	9850	74
5600	NMI 560L2L	2979	97.0	97.2	0.93	0.93	596	5.3	17953	0.5	2.5	62.9	10130	74
6100	NMI 560L2L	2980	97.2	97.4	0.93	0.94	646	5.1	19549	0.4	2.4	63.4	10520	74
6300	NMI 630L2L	2982	96.8	96.9	0.94	0.95	665	5.4	20175	0.4	2.5	109.3	12430	75
7100	NMI 630L2L	2982	96.9	96.9	0.93	0.93	758	5.7	22737	0.4	2.7	125.1	13370	75
8000	NMI 630L2L	2980	96.9	97.0	0.93	0.93	855	5.2	25633	0.4	2.5	129.5	13640	75

Modular induction motors, type NMI

Technical data

IP55, IC81W, insulation class F, temperature rise class B
6000 V, 50 Hz

Output [kW]	Motor type	Speed [r/min]	Efficiency		Power factor		I_N [A]	I_S I_N [pu]	T_N [Nm]	T_S T_N [pu]	T_{max} T_N [pu]	Rotor inertia [kgm ²]	Motor weight [kg]	Sound pressure level L_p [dB(A)]
			Full load 100 %	3/4 load 75 %	Full load 100 %	3/4 load 75 %								
1500 r/min = 4 poles														
6000 V 50 Hz														
250	NMI 355L4L	1483	94.3	94.7	0.88	0.86	29	5.4	1610	0.8	2.4	6.5	2310	74
280	NMI 355L4L	1481	94.4	94.7	0.88	0.85	33	6.0	1805	1.0	2.7	6.6	2320	74
315	NMI 355L4L	1483	94.4	94.9	0.87	0.84	37	5.4	2029	0.8	2.4	6.5	2310	74
355	NMI 355L4L	1480	94.2	94.8	0.88	0.86	41	4.8	2290	0.7	2.1	6.5	2310	74
400	NMI 355L4L	1478	94.3	94.8	0.87	0.84	47	5.4	2584	0.9	2.5	6.6	2320	74
450	NMI 355L4L	1480	94.6	95.1	0.87	0.84	53	5.9	2904	1.0	2.7	7.2	2400	74
500	NMI 355L4L	1479	94.7	95.2	0.88	0.85	58	5.8	3229	1.0	2.7	7.7	2490	74
560	NMI 355L4L	1478	94.8	95.4	0.89	0.86	64	5.7	3618	1.0	2.6	8.3	2590	74
630	NMI 355L4L	1478	94.9	95.4	0.89	0.87	72	5.7	4071	1.0	2.6	8.8	2680	74
710	NMI 355L4L	1478	95.0	95.5	0.89	0.86	81	5.8	4588	1.1	2.6	9.4	2770	74
800	NMI 400L4L	1483	95.3	95.7	0.88	0.87	91	5.1	5152	0.6	2.3	14.0	3000	74
900	NMI 400L4L	1484	95.4	95.8	0.87	0.84	105	5.3	5793	0.7	2.5	14.0	3000	74
1000	NMI 400L4L	1484	95.6	95.9	0.87	0.85	116	5.5	6435	0.7	2.5	15.1	3120	74
1120	NMI 400L4L	1484	95.8	96.1	0.87	0.84	129	5.7	7205	0.8	2.6	16.2	3240	74
1250	NMI 400L4L	1485	96.0	96.3	0.88	0.86	142	5.9	8041	0.8	2.6	18.4	3470	74
1400	NMI 400L4L	1486	96.1	96.3	0.86	0.83	162	6.4	8997	0.9	2.9	19.5	3580	74
1500	NMI 400L4L	1484	96.0	96.4	0.89	0.87	169	5.8	9651	0.8	2.5	20.6	3700	74
1600	NMI 450L4L	1486	95.9	96.1	0.87	0.85	184	5.8	10279	0.7	2.7	33.3	4330	75
1700	NMI 450L4L	1487	95.9	96.1	0.87	0.85	196	6.0	10918	0.7	2.8	35.3	4420	75
1800	NMI 450L4L	1487	96.0	96.2	0.89	0.87	203	5.5	11560	0.6	2.5	36.6	4550	75
2000	NMI 450L4L	1486	96.1	96.3	0.89	0.87	226	5.9	12851	0.7	2.7	39.2	4730	75
2240	NMI 450L4L	1484	96.1	96.4	0.89	0.88	252	5.2	14412	0.6	2.4	43.4	5030	75
2340	NMI 450L4L	1487	96.3	96.6	0.88	0.87	266	5.0	15026	0.5	2.3	42.7	5010	75
2500	NMI 500L4L	1484	96.0	96.3	0.90	0.88	280	5.2	16092	0.6	2.4	50.9	5540	75
2800	NMI 500L4L	1484	96.2	96.4	0.89	0.87	315	5.5	18015	0.7	2.6	54.0	5720	75
3150	NMI 500L4L	1485	96.3	96.6	0.89	0.87	353	6.0	20254	0.8	2.8	60.1	6060	75
3550	NMI 500L4L	1485	96.5	96.8	0.89	0.88	397	5.5	22823	0.7	2.5	68.5	6600	75
4000	NMI 560L4L	1487	96.4	96.7	0.90	0.90	443	5.0	25682	0.5	2.3	100.9	8290	77
4500	NMI 560L4L	1490	96.8	97.0	0.90	0.89	499	5.5	28848	0.6	2.5	113.0	8960	77
5000	NMI 560L4L	1490	96.8	97.1	0.90	0.89	552	5.6	32051	0.6	2.6	122.1	9410	77
5600	NMI 560L4L	1489	96.9	97.1	0.90	0.89	615	5.8	35914	0.6	2.7	133.2	9880	77
6000	NMI 560L4L	1489	97.0	97.2	0.91	0.90	657	5.9	38489	0.7	2.7	134.8	10050	77
6300	NMI 630L4L	1490	96.9	97.1	0.90	0.89	694	5.5	40376	0.5	2.5	193.8	11830	78
7100	NMI 630L4L	1491	97.0	97.2	0.89	0.88	791	5.2	45480	0.5	2.4	212.2	12580	78
8000	NMI 630L4L	1492	97.1	97.3	0.89	0.89	886	5.5	51205	0.5	2.5	238.0	13680	78

Modular induction motors, type NMI

Technical data

IP55, IC81W, insulation class F, temperature rise class B
6000 V, 50 Hz

Output [kW]	Motor type	Speed [r/min]	Efficiency		Power factor		I_N [A]	I_S I_N [pu]	T_N [Nm]	T_S T_N [pu]	T_{max} T_N [pu]	Rotor inertia [kgm ²]	Motor weight [kg]	Sound pressure level L_p [dB(A)]
			Full load 100 %	3/4 load 75 %	Full load 100 %	3/4 load 75 %								
1000 r/min =6 poles														
6000 V 50 Hz														
250	NMI 355L6L	989	93.8	93.7	0.79	0.73	33	6.2	2414	1.2	2.9	8.7	2290	73
280	NMI 355L6L	987	93.7	93.9	0.81	0.75	36	5.6	2708	1.1	2.5	8.7	2290	73
315	NMI 355L6L	988	94.0	94.2	0.81	0.75	40	6.0	3045	1.2	2.7	9.5	2370	73
355	NMI 355L6L	986	93.9	94.2	0.82	0.78	44	5.4	3438	1.1	2.4	9.5	2370	73
400	NMI 355L6L	986	94.2	94.6	0.84	0.80	49	5.4	3874	1.1	2.3	11.1	2550	73
450	NMI 355L6L	988	94.4	94.6	0.82	0.77	56	6.1	4351	1.3	2.7	11.9	2630	73
500	NMI 355L6L	984	94.5	94.8	0.82	0.79	62	4.7	4850	0.9	2.1	11.1	2580	73
560	NMI 355L6L	986	94.8	94.9	0.82	0.78	70	5.1	5424	1.0	2.3	12.7	2760	73
630	NMI 400L6L	987	94.8	95.1	0.85	0.82	75	5.1	6093	0.7	2.3	19.0	3110	73
710	NMI 400L6L	987	94.9	95.2	0.86	0.83	84	5.0	6868	0.7	2.3	20.4	3210	73
800	NMI 400L6L	987	95.1	95.4	0.85	0.82	95	5.3	7737	0.8	2.4	21.7	3330	73
900	NMI 400L6L	988	95.2	95.5	0.84	0.81	108	5.5	8701	0.9	2.5	23.0	3440	73
1000	NMI 400L6L	988	95.4	95.6	0.85	0.81	119	5.6	9665	0.9	2.6	25.7	3660	73
1120	NMI 450L6L	989	95.5	95.9	0.85	0.83	132	5.1	10809	0.7	2.2	36.7	4050	74
1250	NMI 450L6L	990	95.7	96.0	0.86	0.84	146	5.2	12063	0.7	2.2	41.6	4320	74
1400	NMI 450L6L	991	95.8	96.0	0.84	0.80	168	6.2	13486	0.9	2.7	46.6	4570	74
1600	NMI 450L6L	991	96.0	96.2	0.85	0.82	188	6.1	15418	0.9	2.7	51.4	4850	74
1700	NMI 450L6L	990	96.0	96.2	0.84	0.81	203	5.4	16395	0.8	2.4	51.3	4890	74
1800	NMI 500L6L	991	96.0	96.2	0.84	0.81	214	5.5	17350	0.9	2.4	62.9	5340	74
2000	NMI 500L6L	991	96.1	96.3	0.84	0.80	240	5.7	19272	0.9	2.5	66.9	5510	74
2240	NMI 500L6L	990	96.1	96.4	0.85	0.81	265	5.6	21602	0.9	2.5	75.6	5880	74
2500	NMI 500L6L	990	96.3	96.6	0.87	0.85	288	5.3	24113	0.8	2.3	87.0	6390	74
2600	NMI 500L6L	991	96.3	96.6	0.85	0.82	306	5.3	25057	0.8	2.3	91.9	6550	74
4500	NMI 560L6L	991	96.8	97.1	0.89	0.87	505	5.5	43367	0.8	2.4	176.1	10170	76
2800	NMI 560L6L	991	96.2	96.6	0.87	0.86	322	4.5	26986	0.5	2.0	116.6	7840	76
3150	NMI 560L6L	991	96.3	96.7	0.87	0.86	361	4.7	30348	0.6	2.1	128.0	8270	76
3550	NMI 560L6L	993	96.6	96.9	0.87	0.85	406	5.2	34149	0.6	2.3	148.8	9130	76
4000	NMI 560L6L	992	96.7	96.9	0.87	0.86	456	5.4	38496	0.7	2.4	162.2	9570	76
4300	NMI 560L6L	992	96.7	96.9	0.88	0.86	486	5.7	41411	0.7	2.6	176.3	10010	76
6300	NMI 630L6L	993	97.0	97.3	0.88	0.86	714	5.1	60558	0.6	2.2	299.2	13400	77
5000	NMI 630L6L	994	96.9	97.1	0.87	0.85	572	5.3	48048	0.6	2.3	253.7	12040	77
5600	NMI 630L6L	994	97.0	97.2	0.87	0.85	642	5.6	53797	0.6	2.4	281.0	12840	77
6700	NMI 630L6L	994	97.1	97.3	0.86	0.85	768	5.6	64364	0.6	2.4	317.3	13920	77

Modular induction motors, type NMI

Technical data

IP55, IC81W, insulation class F, temperature rise class B
10000 V, 50 Hz

Output [kW]	Motor type	Speed [r/min]	Efficiency		Power factor		I_N [A]	I_s I_N [pu]	T_N [Nm]	T_s T_N [pu]	T_{max} T_N [pu]	Rotor inertia [kgm ²]	Motor weight [kg]	Sound pressure level L_p [dB(A)]
			Full load 100 %	3/4 load 75 %	Full load 100 %	3/4 load 75 %								
3000 r/min = 2 poles														
10000 V 50 Hz														
280	NMI 355L2L	2975	94.1	93.7	0.84	0.80	20	7.0	899	0.8	3.5	4.3	2320	76
315	NMI 355L2L	2975	94.4	94.1	0.87	0.83	22	7.0	1011	0.8	3.4	4.7	2400	76
355	NMI 355L2L	2971	94.4	94.3	0.88	0.85	25	6.3	1141	0.7	3.0	4.7	2400	76
400	NMI 355L2L	2967	94.3	94.5	0.88	0.86	28	5.6	1287	0.6	2.7	4.7	2400	76
450	NMI 355L2L	2962	94.2	94.6	0.89	0.87	31	5.0	1451	0.5	2.4	4.7	2400	76
500	NMI 355L2L	2958	94.0	94.6	0.89	0.88	34	4.5	1614	0.5	2.1	4.7	2400	76
560	NMI 355L2L	2964	94.2	94.8	0.90	0.90	38	4.6	1804	0.5	2.2	4.6	2400	76
630	NMI 400L2L	2977	94.9	95.0	0.89	0.87	43	5.7	2021	0.6	2.7	7.1	2930	76
710	NMI 400L2L	2978	95.3	95.3	0.90	0.87	48	6.1	2276	0.6	2.8	7.7	3050	76
800	NMI 400L2L	2975	95.2	95.4	0.90	0.89	54	5.5	2568	0.6	2.5	7.7	3050	76
900	NMI 400L2L	2974	95.3	95.6	0.91	0.90	60	5.2	2890	0.5	2.4	8.3	3170	76
1000	NMI 400L2L	2974	95.4	95.7	0.90	0.89	67	5.3	3211	0.6	2.4	8.3	3170	76
1120	NMI 400L2L	2973	95.5	95.9	0.90	0.90	75	5.1	3597	0.6	2.4	8.9	3290	76
1250	NMI 400L2L	2972	95.5	95.9	0.91	0.90	83	5.1	4016	0.6	2.3	9.4	3410	76
1330	NMI 400L2L	2974	95.8	96.1	0.91	0.90	88	5.4	4271	0.6	2.4	10.0	3530	76
1400	NMI 450L2L	2978	95.8	96.0	0.92	0.91	92	5.5	4489	0.4	2.7	14.7	4150	77
1600	NMI 450L2L	2977	96.0	96.2	0.92	0.91	105	5.4	5132	0.4	2.6	15.6	4300	77
1800	NMI 450L2L	2977	96.0	96.2	0.92	0.91	118	5.4	5774	0.4	2.6	16.6	4460	77
2000	NMI 450L2L	2977	96.1	96.4	0.91	0.90	132	5.3	6415	0.4	2.6	17.4	4610	77
2240	NMI 500L2L	2982	96.3	96.4	0.92	0.91	145	6.0	7173	0.5	2.9	27.0	5430	77
2500	NMI 500L2L	2982	96.2	96.3	0.93	0.92	162	5.6	8007	0.4	2.7	26.8	5430	77
2800	NMI 500L2L	2981	96.5	96.7	0.92	0.92	181	5.5	8970	0.4	2.6	28.3	5640	77
3150	NMI 500L2L	2981	96.6	96.7	0.92	0.92	204	5.5	10092	0.5	2.6	29.9	5880	77
3500	NMI 560L2L	2981	96.5	96.7	0.93	0.92	226	5.6	11210	0.4	2.7	48.1	8510	74
4000	NMI 560L2L	2981	96.6	96.8	0.93	0.93	257	5.5	12815	0.4	2.6	52.9	9000	74
4500	NMI 560L2L	2981	96.9	97.0	0.93	0.93	289	5.7	14416	0.5	2.7	57.7	9580	74
5000	NMI 560L2L	2978	96.8	97.0	0.93	0.94	319	5.0	16030	0.4	2.4	59.7	7520	74
5600	NMI 560L2L	2979	97.0	97.1	0.93	0.94	357	5.3	17949	0.4	2.5	64.5	8020	74
6300	NMI 630L2L	2982	96.7	96.7	0.93	0.93	404	5.9	20176	0.5	2.8	120.8	12880	75
7100	NMI 630L2L	2980	96.6	96.8	0.94	0.94	454	5.3	22755	0.4	2.5	129.5	13660	75

Modular induction motors, type NMI

Technical data

IP55, IC81W, insulation class F, temperature rise class B
10000 V, 50 Hz

Output [kW]	Motor type	Speed [r/min]	Efficiency		Power factor		I_N [A]	I_S I_N [pu]	T_N [Nm]	T_S T_N [pu]	T_{max} T_N [pu]	Rotor inertia [kgm ²]	Motor weight [kg]	Sound pressure level L_p [dB(A)]
			Full load 100 %	3/4 load 75 %	Full load 100 %	3/4 load 75 %								
1500 r/min = 4 poles														
10000 V 50 Hz														
315	NMI 355L4L	1487	94.3	93.9	0.76	0.68	25	7.2	2023	1.2	3.8	7.2	2400	74
355	NMI 355L4L	1486	94.4	94.2	0.78	0.72	28	6.6	2282	1.1	3.3	7.2	2400	74
400	NMI 355L4L	1484	94.4	94.4	0.81	0.75	30	6.0	2575	1.0	3.0	7.2	2400	74
450	NMI 355L4L	1481	94.3	94.5	0.82	0.77	33	5.5	2901	0.9	2.6	7.2	2400	74
500	NMI 355L4L	1481	94.5	94.6	0.81	0.76	37	5.7	3224	0.8	2.8	7.7	2490	74
560	NMI 355L4L	1482	94.7	94.8	0.83	0.78	41	6.0	3609	1.0	2.9	8.3	2560	74
600	NMI 355L4L	1480	94.6	94.9	0.83	0.79	44	5.6	3870	0.9	2.7	8.3	2560	74
630	NMI 400L4L	1486	94.8	94.9	0.87	0.84	44	6.0	4048	0.8	2.7	15.4	3050	74
710	NMI 400L4L	1487	94.8	95.0	0.86	0.83	50	6.5	4559	0.9	2.9	16.5	3140	74
800	NMI 400L4L	1487	94.9	95.0	0.84	0.80	58	6.4	5137	0.9	3.0	16.5	3140	74
900	NMI 400L4L	1485	95.0	95.2	0.86	0.83	64	6.4	5787	1.0	2.9	17.9	3270	74
1000	NMI 400L4L	1485	95.3	95.5	0.86	0.82	71	6.4	6431	1.0	2.9	19.0	3400	74
1120	NMI 400L4L	1485	95.5	95.6	0.86	0.82	79	6.4	7204	1.1	2.9	20.2	3510	74
1250	NMI 400L4L	1488	95.7	95.8	0.84	0.79	90	6.8	8021	1.0	3.1	20.6	3610	74
1400	NMI 450L4L	1486	95.5	95.7	0.87	0.85	97	5.4	8999	0.6	2.5	27.2	4140	75
1600	NMI 450L4L	1486	95.8	95.9	0.87	0.84	111	5.9	10278	0.7	2.8	30.8	4430	75
1800	NMI 450L4L	1486	95.9	96.1	0.87	0.84	125	5.7	11567	0.7	2.7	32.5	4580	75
2000	NMI 450L4L	1486	96.0	96.3	0.87	0.85	138	5.4	12855	0.6	2.5	33.6	4730	75
2240	NMI 500L4L	1486	95.9	96.1	0.90	0.88	151	6.0	14393	0.7	2.8	53.7	5610	75
2500	NMI 500L4L	1487	96.0	96.2	0.89	0.87	168	5.8	16056	0.7	2.7	59.3	5910	75
2800	NMI 500L4L	1487	96.2	96.4	0.90	0.88	186	6.0	17985	0.7	2.7	62.3	6130	75
3150	NMI 560L4L	1490	96.4	96.5	0.88	0.86	215	5.8	20190	0.6	2.7	92.5	8200	77
3550	NMI 560L4L	1489	96.5	96.6	0.89	0.88	238	5.6	22761	0.6	2.6	100.8	8650	77
4000	NMI 560L4L	1488	96.6	96.8	0.90	0.90	265	5.2	25663	0.6	2.4	109.1	9120	77
4500	NMI 560L4L	1489	96.7	96.9	0.90	0.89	300	5.4	28865	0.6	2.5	113.2	9350	77
5300	NMI 560L4L	1488	96.9	97.1	0.88	0.87	357	5.4	34004	0.6	2.5	121.6	9910	77
5600	NMI 630L4L	1491	96.8	96.9	0.91	0.90	369	5.3	35857	0.5	2.3	202.3	12190	78
6300	NMI 630L4L	1492	96.9	97.1	0.90	0.90	417	5.5	40330	0.5	2.5	216.8	12760	78
7100	NMI 630L4L	1492	97.1	97.2	0.89	0.88	477	5.4	45438	0.5	2.4	238.4	13620	78

Modular induction motors, type NMI

Technical data

IP55, IC81W, insulation class F, temperature rise class B
10000 V, 50 Hz

Output [kW]	Motor type	Speed [r/min]	Efficiency		Power factor		I_N [A]	I_s I_N [pu]	T_N [Nm]	T_s T_N [pu]	T_{max} T_N [pu]	Rotor inertia [kgm ²]	Motor weight [kg]	Sound pressure level L_p [dB(A)]
			Full load 100 %	3/4 load 75 %	Full load 100 %	3/4 load 75 %								
1000 r/min = 6 poles														
10000 V 50 Hz														
280	NMI 355L6L	993	94.5	94.1	0.76	0.68	23	7.8	2692	1.3	3.8	13.0	2580	73
315	NMI 355L6L	992	94.6	94.4	0.78	0.71	25	7.2	3031	1.2	3.4	13.0	2580	73
355	NMI 355L6L	991	94.6	94.6	0.80	0.75	27	6.5	3420	1.0	3.0	13.0	2580	73
400	NMI 355L6L	990	94.5	94.7	0.82	0.77	30	5.9	3858	0.9	2.6	13.0	2580	73
450	NMI 355L6L	989	94.3	94.7	0.84	0.80	33	5.3	4347	0.8	2.3	13.0	2580	73
500	NMI 400L6L	992	94.4	94.3	0.80	0.74	38	5.7	4814	0.9	2.6	17.5	3230	73
560	NMI 400L6L	991	94.4	94.5	0.81	0.77	42	5.2	5398	0.8	2.3	17.5	3230	73
630	NMI 400L6L	990	94.5	94.7	0.82	0.79	47	4.9	6077	0.7	2.1	18.6	3340	73
710	NMI 400L6L	989	94.6	94.9	0.83	0.80	52	4.6	6858	0.7	2.0	18.6	3350	73
800	NMI 450L6L	991	95.0	95.2	0.84	0.80	58	5.5	7710	0.7	2.4	31.3	4030	74
900	NMI 450L6L	991	95.1	95.3	0.83	0.78	66	5.5	8674	0.7	2.5	31.3	4030	74
1000	NMI 450L6L	991	95.2	95.4	0.83	0.80	73	5.4	9640	0.7	2.4	33.3	4170	74
1120	NMI 450L6L	988	95.2	95.6	0.85	0.84	80	4.4	10820	0.6	2.0	35.3	4330	74
1250	NMI 450L6L	990	95.5	95.8	0.84	0.81	90	4.6	12058	0.6	2.1	39.0	4600	74
1400	NMI 500L6L	991	95.5	95.7	0.85	0.81	100	5.7	13486	0.8	2.5	60.6	5130	74
1600	NMI 500L6L	991	95.6	95.9	0.84	0.80	114	5.8	15410	0.9	2.6	64.6	5300	74
1800	NMI 500L6L	992	95.8	96.0	0.85	0.82	127	6.0	17335	0.9	2.6	72.6	5630	74
2000	NMI 500L6L	991	95.8	96.1	0.87	0.85	138	5.2	19276	0.7	2.3	84.1	6090	74
2240	NMI 500L6L	991	96.1	96.3	0.85	0.82	158	5.2	21576	0.8	2.2	84.3	6170	74
2300	NMI 560L6L	991	95.9	96.1	0.86	0.83	162	5.1	22153	0.6	2.3	121.8	7960	76
2500	NMI 560L6L	990	95.8	96.1	0.88	0.87	172	4.6	24118	0.5	2.0	122.4	7980	76
2800	NMI 560L6L	992	96.1	96.3	0.85	0.82	198	5.4	26946	0.7	2.4	132.2	8380	76
3200	NMI 560L6L	993	96.4	96.6	0.84	0.81	228	5.4	30775	0.7	2.4	141.2	8820	76
3550	NMI 560L6L	991	96.4	96.6	0.86	0.83	248	5.3	34199	0.7	2.4	150.7	9110	76
4000	NMI 630L6L	994	96.7	96.8	0.87	0.85	274	5.6	38423	0.6	2.5	235.0	11410	77
4500	NMI 630L6L	994	96.8	96.9	0.87	0.85	309	5.9	43211	0.7	2.6	262.3	12170	77
5000	NMI 630L6L	994	96.8	97.0	0.87	0.85	342	5.8	48016	0.7	2.6	280.5	12700	77
5600	NMI 630L6L	994	97.0	97.1	0.87	0.85	382	5.6	53797	0.6	2.4	298.6	13340	77

Modular induction motors, type NMI

Technical data

IP55, IC611, insulation class F, temperature rise class B
4000 V, 60 Hz

Output [kW]	Motor type	Speed [r/min]	Efficiency		Power factor		I_N [A]	I_s [pu]	T_N [Nm]	T_s [pu]	T_{max} [pu]	Rotor inertia [kgm ²]	Motor weight [kg]	Sound pressure level L_p [dB(A)]
			Full load 100 %	3/4 load 75 %	Full load 100 %	3/4 load 75 %								
1800 r/min = 4 poles														
4000 V 60 Hz														
400	NMI 355L4A	1788	95.1	94.8	0.86	0.82	71	5.5	2137	0.6	2.6	7.9	2670	83
450	NMI 355L4A	1788	95.5	95.1	0.86	0.83	79	5.6	2403	0.6	2.6	8.8	2840	83
500	NMI 355L4A	1786	95.5	95.3	0.87	0.85	87	5.3	2673	0.6	2.5	8.7	2850	83
560	NMI 355L4A	1787	95.5	95.3	0.86	0.82	99	6.2	2993	0.7	2.9	8.9	2840	83
630	NMI 355L4A	1784	95.6	95.4	0.87	0.85	109	5.5	3373	0.7	2.5	9.0	2850	83
710	NMI 355L4A	1784	95.5	95.5	0.86	0.83	125	5.5	3800	0.7	2.5	9.0	2810	83
800	NMI 355L4A	1784	95.7	95.6	0.86	0.83	140	5.4	4283	0.7	2.5	9.6	2910	83
850	NMI 355L4A	1784	95.8	95.8	0.87	0.84	148	5.4	4550	0.7	2.5	10.1	3010	83
900	NMI 400L4A	1787	95.4	95.3	0.87	0.85	156	5.6	4809	0.6	2.5	16.2	3220	83
1000	NMI 400L4A	1787	95.7	95.6	0.88	0.86	172	5.8	5343	0.7	2.5	17.2	3360	83
1120	NMI 400L4A	1784	95.6	95.8	0.89	0.89	189	4.9	5994	0.6	2.1	18.3	3470	83
1250	NMI 400L4A	1787	95.9	95.9	0.89	0.88	210	5.7	6681	0.7	2.4	20.4	3680	83
1300	NMI 400L4A	1786	95.9	96.0	0.89	0.88	219	5.5	6950	0.7	2.4	20.4	3680	83
1400	NMI 450L4A	1790	96.0	95.7	0.89	0.87	237	5.9	7471	0.6	2.7	32.0	4720	84
1600	NMI 450L4A	1790	95.9	95.7	0.88	0.86	273	6.4	8534	0.6	2.9	37.7	4620	84
1800	NMI 450L4A	1789	96.0	95.9	0.89	0.87	305	5.7	9608	0.6	2.6	37.7	4620	84
2000	NMI 450L4A	1789	96.2	96.1	0.90	0.89	333	6.0	10674	0.6	2.6	43.4	5040	84
2100	NMI 450L4A	1789	96.2	96.2	0.90	0.89	349	5.7	11212	0.6	2.5	43.4	5040	84
2240	NMI 500L4A	1789	96.1	96.0	0.90	0.89	373	6.1	11953	0.6	2.7	54.2	5840	86
2500	NMI 500L4A	1790	96.3	96.2	0.90	0.88	416	6.3	13340	0.6	2.8	57.1	6040	86
2800	NMI 500L4A	1789	96.5	96.4	0.90	0.89	464	6.0	14942	0.6	2.7	62.9	6440	86
3100	NMI 500L4A	1790	96.6	96.5	0.89	0.87	520	6.4	16537	0.7	2.9	65.8	6620	86
3150	NMI 560L4A	1792	96.2	96.0	0.90	0.88	527	6.2	16785	0.5	2.8	100.8	8810	89
3550	NMI 560L4A	1792	96.4	96.2	0.91	0.90	585	6.5	18913	0.6	2.9	113.9	9480	89
4000	NMI 560L4A	1792	96.5	96.4	0.90	0.89	662	6.0	21318	0.5	2.7	113.9	9460	89
4500	NMI 560L4A	1792	96.7	96.6	0.90	0.88	748	6.5	23975	0.6	2.9	122.7	9930	89
4700	NMI 560L4A	1792	96.7	96.6	0.90	0.89	780	6.2	25046	0.6	2.7	122.7	9930	89
5000	NMI 630L4A	1791	96.4	96.2	0.93	0.92	804	6.5	26663	0.5	3.0	224.3	13360	89
5600	NMI 630L4A	1790	96.5	96.4	0.93	0.93	897	6.4	29875	0.5	3.0	225.4	13350	89
6300	NMI 630L4A	1790	96.6	96.5	0.92	0.91	1019	6.5	33601	0.5	3.1	240.3	13950	89

Modular induction motors, type NMI

Technical data

IP55, IC611, insulation class F, temperature rise class B
4000 V, 60 Hz

Output [kW]	Motor type	Speed [r/min]	Efficiency		Power factor		I_N [A]	I_S I_N [pu]	T_N [Nm]	T_S T_N [pu]	T_{max} T_N [pu]	Rotor inertia [kgm ²]	Motor weight [kg]	Sound pressure level L_p [dB(A)]
			Full load 100 %	3/4 load 75 %	Full load 100 %	3/4 load 75 %								
1200 r/min = 6 poles														
4000 V 60 Hz														
400	NMI 355L6A	1190	95.1	94.9	0.82	0.78	74	5.1	3210	0.7	2.3	11.2	2700	81
450	NMI 355L6A	1191	95.1	94.8	0.79	0.73	87	5.6	3609	0.8	2.5	11.3	2700	81
500	NMI 355L6A	1189	95.1	95.0	0.81	0.76	94	5.0	4014	0.7	2.2	11.3	2690	81
560	NMI 355L6A	1189	95.1	95.1	0.82	0.78	104	4.7	4498	0.7	2.0	12.1	2760	81
630	NMI 355L6A	1190	95.4	95.2	0.81	0.76	118	5.4	5053	0.8	2.3	14.3	3050	81
710	NMI 400L6A	1191	95.2	94.9	0.84	0.79	129	6.0	5695	0.8	2.8	22.7	3490	81
800	NMI 400L6A	1190	95.1	94.8	0.83	0.78	147	6.2	6421	0.9	2.9	23.1	3480	81
900	NMI 400L6A	1190	95.2	94.9	0.82	0.77	166	6.3	7223	0.9	3.0	24.5	3590	81
1000	NMI 400L6A	1190	95.3	95.0	0.83	0.78	184	6.2	8027	0.9	2.9	25.8	3680	81
1050	NMI 400L6A	1189	95.4	95.2	0.84	0.80	190	6.1	8431	0.9	2.8	27.1	3800	81
1120	NMI 450L6A	1190	95.5	95.5	0.87	0.85	195	5.4	8986	0.6	2.3	39.0	4210	81
1250	NMI 450L6A	1192	95.8	95.7	0.85	0.81	221	6.4	10015	0.8	2.8	43.8	4500	81
1400	NMI 450L6A	1192	96.0	95.8	0.86	0.82	246	6.5	11216	0.8	2.8	48.6	4770	81
1600	NMI 450L6A	1192	96.0	95.9	0.85	0.82	282	6.5	12819	0.9	2.8	51.0	4870	81
1700	NMI 450L6A	1192	96.1	96.1	0.86	0.82	298	6.4	13622	0.8	2.8	53.5	5040	81
1800	NMI 500L6A	1190	95.9	96.0	0.87	0.85	313	5.1	14442	0.6	2.2	66.5	5590	81
2000	NMI 500L6A	1190	96.0	96.1	0.87	0.85	346	4.9	16046	0.6	2.2	69.7	5730	81
2240	NMI 500L6A	1191	96.1	96.2	0.87	0.86	385	5.2	17961	0.6	2.3	81.4	6190	81
2500	NMI 500L6A	1191	96.3	96.3	0.87	0.85	431	5.4	20038	0.6	2.4	89.2	6550	81
2800	NMI 560L6A	1193	96.2	96.1	0.88	0.86	479	5.5	22410	0.6	2.4	135.7	8900	88
3150	NMI 560L6A	1194	96.4	96.3	0.88	0.86	536	5.8	25202	0.6	2.6	152.2	9540	88
3550	NMI 560L6A	1193	96.5	96.4	0.88	0.87	602	5.7	28405	0.6	2.5	163.3	9980	88
4000	NMI 560L6A	1193	96.6	96.6	0.88	0.87	677	5.7	32006	0.6	2.5	174.3	10410	88
4500	NMI 630L6A	1193	96.5	96.3	0.89	0.87	755	6.2	36023	0.6	2.9	297.4	13430	88
5000	NMI 630L6A	1193	96.5	96.4	0.89	0.87	838	6.4	40018	0.6	3.0	325.8	14200	88
5600	NMI 630L6A	1193	96.7	96.6	0.90	0.89	928	5.9	44835	0.6	2.8	333.7	14450	88

Modular induction motors, type NMI

Technical data

IP55, IC611, insulation class F, temperature rise class B
4000 V, 60 Hz

Output [kW]	Motor type	Speed [r/min]	Efficiency		Power factor		I_N [A]	I_S I_N [pu]	T_N [Nm]	T_S T_N [pu]	T_{max} T_N [pu]	Rotor inertia [kgm ²]	Motor weight [kg]	Sound pressure level L_p [dB(A)]
			Full load 100 %	3/4 load 75 %	Full load 100 %	3/4 load 75 %								
900 r/min = 8 poles														
4000 V 60 Hz														
185	NMI 355L8A	890	94.2	94.1	0.77	0.72	37	4.3	1984	0.7	2.1	9.1	2400	79
200	NMI 355L8A	891	94.3	94.0	0.74	0.67	42	4.6	2143	0.7	2.2	9.1	2410	79
220	NMI 355L8A	890	94.3	94.2	0.75	0.70	45	4.2	2359	0.7	2.0	9.1	2410	79
250	NMI 355L8A	890	94.2	94.1	0.75	0.70	51	4.4	2682	0.8	2.0	10.0	2480	79
280	NMI 355L8A	890	94.4	94.3	0.75	0.69	57	4.3	3004	0.8	2.0	10.0	2490	79
315	NMI 355L8A	890	94.6	94.5	0.74	0.68	65	4.4	3378	0.8	2.0	10.8	2580	79
355	NMI 355L8A	890	94.4	94.3	0.72	0.66	75	4.4	3808	0.8	2.0	10.8	2570	79
400	NMI 355L8A	891	94.7	94.6	0.74	0.68	83	4.5	4289	0.8	2.0	12.3	2740	79
450	NMI 400L8A	890	94.5	94.6	0.80	0.76	86	4.6	4828	0.7	2.0	18.0	2810	79
500	NMI 400L8A	891	94.7	94.9	0.81	0.77	94	4.8	5362	0.8	2.1	19.7	2920	79
560	NMI 400L8A	891	95.0	95.0	0.80	0.75	106	5.1	6001	0.8	2.2	21.3	3030	79
630	NMI 400L8A	892	95.3	95.3	0.80	0.76	119	5.3	6745	0.8	2.3	24.5	3240	79
710	NMI 400L8A	891	95.3	95.4	0.83	0.80	130	5.0	7607	0.8	2.1	27.8	3430	79
800	NMI 400L8A	893	95.5	95.5	0.80	0.76	150	5.8	8558	0.9	2.5	31.1	3650	79
850	NMI 400L8A	893	95.6	95.4	0.79	0.73	163	6.4	9088	1.2	2.8	33.1	3750	79
900	NMI 450L8A	893	95.6	95.7	0.83	0.80	164	5.3	9629	0.8	2.2	44.1	4180	79
1000	NMI 450L8A	892	95.7	95.8	0.84	0.81	179	5.2	10700	0.8	2.1	49.8	4430	79
1120	NMI 450L8A	893	95.8	96.0	0.84	0.82	200	5.3	11983	0.8	2.1	55.5	4700	79
1250	NMI 450L8A	893	96.0	96.0	0.84	0.81	224	5.6	13367	0.9	2.2	61.2	4970	79
1400	NMI 500L8A	893	95.8	95.8	0.82	0.78	258	4.9	14970	0.6	2.1	75.0	5840	79
1600	NMI 500L8A	893	95.9	96.0	0.83	0.80	291	5.0	17108	0.7	2.1	87.0	6340	79
1800	NMI 500L8A	894	96.1	96.0	0.82	0.78	331	5.1	19234	0.7	2.2	98.9	6880	79
2000	NMI 560L8A	894	96.2	96.0	0.84	0.81	359	5.4	21368	0.7	2.3	141.1	8700	82
2240	NMI 560L8A	894	96.3	96.2	0.85	0.82	397	5.2	23939	0.6	2.2	153.3	9130	82
2500	NMI 560L8A	893	96.3	96.3	0.85	0.83	441	5.2	26720	0.6	2.2	165.6	9570	82
2800	NMI 560L8A	894	96.4	96.3	0.84	0.81	497	5.7	29905	0.7	2.4	183.9	10170	82
3150	NMI 630L8A	894	96.3	96.2	0.86	0.84	549	5.4	33643	0.6	2.4	291.0	12830	82
3550	NMI 630L8A	894	96.4	96.3	0.86	0.84	618	5.6	37906	0.6	2.5	321.4	13650	82
4000	NMI 630L8A	895	96.5	96.3	0.85	0.82	703	6.1	42686	0.7	2.7	351.8	14480	82
4150	NMI 630L8A	894	96.5	96.4	0.86	0.83	722	5.7	44306	0.6	2.5	361.9	14750	82

Modular induction motors, type NMI

Technical data

IP55, IC611, insulation class F, temperature rise class B
6600 V, 60 Hz

Output [kW]	Motor type	Speed [r/min]	Efficiency		Power factor		I_N [A]	I_s I_N [pu]	T_N [Nm]	T_s T_N [pu]	T_{max} T_N [pu]	Rotor inertia [kgm ²]	Motor weight [kg]	Sound pressure level L_p [dB(A)]
			Full load 100 %	3/4 load 75 %	Full load 100 %	3/4 load 75 %								
1800 r/min = 4 poles														
6600 V 60 Hz														
400	NMI 355L4A	1788	95.1	94.8	0.87	0.85	42	5.5	2137	0.6	2.6	8.6	2800	83
450	NMI 355L4A	1789	95.5	95.1	0.87	0.84	47	6.0	2402	0.6	2.8	9.7	3000	83
500	NMI 355L4A	1790	95.5	95.0	0.84	0.79	55	6.6	2668	0.8	3.1	9.3	2910	83
560	NMI 355L4A	1786	95.5	95.2	0.87	0.84	59	6.1	2993	0.7	2.8	9.4	2910	83
630	NMI 355L4A	1786	95.5	95.3	0.86	0.82	67	6.2	3368	0.8	2.8	9.6	2900	83
710	NMI 355L4A	1785	95.6	95.5	0.87	0.84	75	5.6	3799	0.7	2.5	9.6	2900	83
800	NMI 355L4A	1784	95.5	95.6	0.88	0.85	84	5.2	4283	0.6	2.3	10.2	2970	83
850	NMI 355L4A	1784	95.7	95.7	0.86	0.83	90	5.4	4549	0.7	2.5	10.2	3000	83
900	NMI 400L4A	1786	95.4	95.2	0.85	0.83	97	5.2	4812	0.6	2.3	16.5	3240	83
1000	NMI 400L4A	1787	95.6	95.4	0.87	0.84	105	6.4	5344	0.8	2.9	17.5	3350	83
1120	NMI 400L4A	1785	95.6	95.7	0.89	0.88	115	5.5	5992	0.7	2.4	18.5	3460	83
1250	NMI 400L4A	1786	95.8	95.8	0.89	0.87	128	6.0	6683	0.7	2.7	19.6	3580	83
1400	NMI 400L4A	1786	96.0	96.0	0.90	0.89	141	6.1	7485	0.7	2.6	22.8	3920	83
1600	NMI 450L4A	1791	95.9	95.7	0.90	0.88	163	6.5	8531	0.6	2.9	43.3	5010	84
1800	NMI 450L4A	1790	96.0	95.9	0.90	0.89	182	5.8	9605	0.5	2.5	43.4	5010	84
2000	NMI 450L4A	1790	96.2	96.0	0.90	0.88	203	6.0	10670	0.6	2.7	45.2	5150	84
2240	NMI 500L4A	1789	96.2	96.0	0.90	0.88	227	5.7	11955	0.6	2.6	54.2	5890	86
2500	NMI 500L4A	1790	96.3	96.2	0.89	0.87	255	6.1	13339	0.6	2.7	57.1	6060	86
2800	NMI 500L4A	1790	96.5	96.3	0.89	0.87	284	6.4	14937	0.7	2.9	62.9	6420	86
3150	NMI 500L4A	1790	96.6	96.5	0.91	0.89	315	6.4	16803	0.7	2.8	71.8	6960	86
3300	NMI 500L4A	1790	96.6	96.6	0.90	0.89	330	6.4	17604	0.7	2.8	71.8	6940	86
3550	NMI 560L4A	1791	96.5	96.3	0.91	0.90	353	6.1	18926	0.6	2.6	105.5	9110	89
4000	NMI 560L4A	1791	96.6	96.5	0.92	0.91	394	5.9	21329	0.6	2.5	114.2	9570	89
4500	NMI 560L4A	1791	96.7	96.7	0.92	0.92	442	5.9	23997	0.6	2.5	123.0	10020	89
5000	NMI 560L4A	1791	96.9	96.8	0.92	0.92	490	6.0	26660	0.6	2.5	131.8	10470	89
5600	NMI 630L4A	1791	96.5	96.3	0.93	0.92	548	6.6	29852	0.5	3.1	230.7	13550	89
6300	NMI 630L4A	1791	96.6	96.5	0.93	0.92	614	6.3	33597	0.5	3.0	231.1	13530	89
7000	NMI 630L4A	1793	96.9	96.7	0.91	0.90	696	6.4	37276	0.6	2.9	241.7	14360	89

Modular induction motors, type NMI

Technical data

IP55, IC611, insulation class F, temperature rise class B
6600 V, 60 Hz

Output [kW]	Motor type	Speed [r/min]	Efficiency		Power factor		I_N [A]	I_s I_N [pu]	T_N [Nm]	T_s T_N [pu]	T_{max} T_N [pu]	Rotor inertia [kgm ²]	Motor weight [kg]	Sound pressure level L_p [dB(A)]
			Full load 100 %	3/4 load 75 %	Full load 100 %	3/4 load 75 %								
1200 r/min = 6 poles														
6600 V 60 Hz														
450	NMI 355L6A	1192	95.1	94.7	0.79	0.74	52	5.9	3606	0.9	2.6	12.7	2840	81
500	NMI 355L6A	1191	95.1	94.8	0.81	0.76	57	5.9	4010	1.0	2.6	13.6	2940	81
560	NMI 355L6A	1190	95.2	95.0	0.82	0.78	63	5.4	4496	0.9	2.3	13.6	2940	81
630	NMI 355L6A	1190	95.3	95.1	0.82	0.77	71	5.5	5057	0.9	2.3	14.3	3030	81
710	NMI 400L6A	1190	95.1	94.8	0.84	0.80	78	5.8	5696	0.7	2.7	22.7	3460	81
800	NMI 400L6A	1189	95.2	95.0	0.85	0.82	87	5.3	6425	0.7	2.4	22.7	3460	81
900	NMI 400L6A	1190	95.2	94.9	0.83	0.79	99	6.3	7222	0.9	2.9	25.8	3680	81
1000	NMI 400L6A	1190	95.2	95.0	0.84	0.80	110	6.2	8027	0.9	2.8	27.1	3760	81
1120	NMI 450L6A	1190	95.6	95.5	0.86	0.83	120	5.2	8986	0.6	2.3	39.0	4230	81
1250	NMI 450L6A	1190	95.8	95.7	0.87	0.85	132	5.2	10028	0.6	2.3	43.8	4510	81
1400	NMI 450L6A	1192	95.9	95.8	0.87	0.84	148	5.7	11217	0.7	2.4	53.4	5000	81
1600	NMI 450L6A	1192	96.0	95.9	0.86	0.83	170	6.0	12823	0.7	2.6	53.5	5020	81
1800	NMI 500L6A	1191	95.9	96.0	0.88	0.87	186	5.0	14435	0.6	2.2	77.0	6010	81
2000	NMI 500L6A	1191	96.0	96.1	0.88	0.86	207	5.2	16034	0.6	2.3	80.9	6180	81
2240	NMI 500L6A	1191	96.2	96.3	0.88	0.86	231	5.2	17957	0.6	2.3	88.6	6530	81
2500	NMI 500L6A	1192	96.3	96.4	0.88	0.86	258	5.5	20034	0.6	2.4	96.3	6860	81
2800	NMI 560L6A	1193	96.3	96.2	0.89	0.87	287	5.5	22420	0.6	2.4	135.7	8980	88
3150	NMI 560L6A	1194	96.5	96.3	0.88	0.86	324	6.2	25201	0.7	2.6	152.6	9610	88
3550	NMI 560L6A	1194	96.6	96.4	0.88	0.86	365	6.3	28400	0.7	2.7	163.6	10050	88
4000	NMI 560L6A	1194	96.7	96.6	0.88	0.86	410	6.4	31997	0.7	2.7	180.1	10690	88
4500	NMI 630L6A	1193	96.4	96.2	0.89	0.87	457	6.5	36012	0.6	3.0	316.3	13890	88
5000	NMI 630L6A	1193	96.6	96.4	0.90	0.89	502	6.0	40024	0.6	2.8	324.3	14150	88
5600	NMI 630L6A	1193	96.7	96.6	0.90	0.89	562	5.9	44835	0.6	2.7	343.1	14700	88

Modular induction motors, type NMI

Technical data

IP55, IC611, insulation class F, temperature rise class B
6600 V, 60 Hz

Output [kW]	Motor type	Speed [r/min]	Efficiency		Power factor		I_N [A]	I_S I_N [pu]	T_N [Nm]	T_S T_N [pu]	T_{max} T_N [pu]	Rotor inertia [kgm ²]	Motor weight [kg]	Sound pressure level L_p [dB(A)]
			Full load 100 %	3/4 load 75 %	Full load 100 %	3/4 load 75 %								
900 r/min = 8 poles														
6600 V 60 Hz														
185	NMI 355L8A	893	94.1	93.7	0.74	0.67	23	5.2	1979	0.9	2.6	10.6	2550	79
200	NMI 355L8A	892	94.2	93.9	0.75	0.69	25	4.9	2141	0.8	2.4	10.6	2550	79
220	NMI 355L8A	892	94.1	93.8	0.74	0.67	28	4.8	2354	0.8	2.4	10.6	2550	79
250	NMI 355L8A	892	94.2	93.9	0.74	0.67	31	4.8	2678	0.8	2.2	10.8	2560	79
280	NMI 355L8A	892	94.2	93.9	0.71	0.64	36	4.9	2998	0.9	2.3	10.8	2560	79
315	NMI 355L8A	891	94.2	94.1	0.73	0.67	40	4.5	3378	0.8	2.0	10.8	2560	79
355	NMI 355L8A	890	94.3	94.3	0.75	0.69	44	4.3	3808	0.8	2.0	11.5	2650	79
400	NMI 355L8A	891	94.6	94.4	0.73	0.67	51	4.7	4286	0.9	2.2	13.1	2830	79
425	NMI 355L8A	892	94.7	94.3	0.70	0.63	56	5.0	4550	1.0	2.3	13.8	2910	79
450	NMI 400L8A	892	94.5	94.4	0.79	0.74	53	5.3	4818	0.9	2.3	19.7	2890	79
500	NMI 400L8A	892	94.7	94.7	0.81	0.76	57	5.2	5356	0.8	2.2	21.3	3000	79
560	NMI 400L8A	892	94.9	94.9	0.81	0.76	64	5.2	5996	0.8	2.2	22.8	3100	79
630	NMI 400L8A	891	95.0	95.1	0.82	0.78	71	5.2	6750	0.8	2.2	24.7	3210	79
710	NMI 400L8A	893	95.3	95.3	0.80	0.75	81	5.9	7593	0.9	2.5	29.4	3520	79
800	NMI 400L8A	893	95.5	95.4	0.80	0.75	92	6.1	8553	1.0	2.6	32.8	3740	79
900	NMI 450L8A	893	95.5	95.6	0.84	0.81	98	5.3	9629	0.8	2.1	47.0	4280	79
1000	NMI 450L8A	893	95.7	95.8	0.84	0.81	109	5.5	10694	0.8	2.2	52.7	4550	79
1120	NMI 450L8A	894	95.9	95.9	0.83	0.79	123	6.0	11968	0.9	2.4	58.4	4820	79
1250	NMI 450L8A	894	95.9	95.8	0.82	0.78	139	6.0	13356	1.0	2.4	61.2	4950	79
1400	NMI 500L8A	893	95.9	95.9	0.82	0.79	156	5.1	14969	0.7	2.2	78.8	6030	79
1600	NMI 500L8A	894	96.0	95.9	0.81	0.77	179	5.5	17095	0.8	2.4	90.7	6500	79
1800	NMI 500L8A	893	96.1	96.0	0.82	0.79	199	5.1	19238	0.7	2.2	102.6	7040	79
2000	NMI 560L8A	894	96.2	96.0	0.84	0.81	217	5.3	21372	0.6	2.3	141.0	8710	82
2240	NMI 560L8A	894	96.3	96.1	0.84	0.82	241	5.3	23937	0.7	2.3	153.2	9140	82
2500	NMI 560L8A	893	96.2	96.2	0.86	0.84	266	4.9	26734	0.6	2.0	165.5	9500	82
2800	NMI 560L8A	893	96.3	96.3	0.85	0.83	299	5.2	29928	0.6	2.2	177.7	9940	82
3150	NMI 630L8A	894	96.3	96.1	0.86	0.83	334	5.5	33636	0.6	2.5	291.0	12810	82
3550	NMI 630L8A	895	96.4	96.1	0.85	0.81	380	6.1	37882	0.7	2.8	321.4	13640	82
4000	NMI 630L8A	895	96.5	96.3	0.85	0.82	425	6.0	42692	0.6	2.7	351.8	14450	82
4250	NMI 630L8A	895	96.5	96.3	0.86	0.83	449	5.8	45365	0.6	2.6	372.1	14930	82

Modular induction motors, type NMI

Technical data

IP55, IC81W, insulation class F, temperature rise class B
4000 V, 60 Hz

Output [kW]	Motor type	Speed [r/min]	Efficiency		Power factor		I_N [A]	I_S I_N [pu]	T_N [Nm]	T_S T_N [pu]	T_{max} T_N [pu]	Rotor inertia [kgm ²]	Motor weight [kg]	Sound pressure level L_p [dB(A)]
			Full load 100 %	3/4 load 75 %	Full load 100 %	3/4 load 75 %								
1800 r/min = 4 poles														
4000 V 60 Hz														
250	NMI 355L4L	1788	95.1	94.7	0.84	0.79	45	5.6	1335	0.6	2.7	5.7	2280	74
280	NMI 355L4L	1787	95.2	94.9	0.85	0.81	50	5.5	1497	0.6	2.7	5.8	2300	74
315	NMI 355L4L	1785	95.2	95.0	0.86	0.82	56	5.3	1685	0.6	2.5	5.9	2290	74
355	NMI 355L4L	1785	95.3	95.2	0.84	0.81	64	5.2	1900	0.6	2.5	5.9	2300	74
400	NMI 355L4L	1783	95.3	95.3	0.84	0.81	72	4.9	2142	0.6	2.3	5.9	2290	74
450	NMI 355L4L	1787	96.0	95.9	0.87	0.85	78	5.3	2404	0.5	2.5	8.1	2720	74
500	NMI 355L4L	1785	95.9	95.8	0.87	0.84	87	5.7	2674	0.7	2.7	7.7	2670	74
560	NMI 355L4L	1783	95.9	96.0	0.87	0.85	96	5.1	2998	0.6	2.4	7.7	2670	74
630	NMI 355L4L	1785	96.0	95.9	0.84	0.80	112	5.8	3371	0.8	2.7	7.8	2670	74
710	NMI 355L4L	1783	96.0	96.1	0.85	0.82	125	5.3	3803	0.7	2.4	7.8	2670	74
800	NMI 355L4L	1781	96.0	96.2	0.86	0.84	140	4.7	4290	0.6	2.1	7.9	2680	74
900	NMI 355L4L	1782	96.1	96.2	0.86	0.84	157	5.1	4824	0.7	2.3	8.8	2840	74
1000	NMI 355L4L	1779	96.0	96.3	0.87	0.85	173	4.6	5367	0.6	2.1	8.8	2840	74
1050	NMI 355L4L	1780	96.0	96.3	0.87	0.86	181	4.6	5634	0.6	2.1	9.4	2920	74
1120	NMI 400L4L	1784	96.0	96.1	0.89	0.88	189	5.1	5995	0.6	2.3	16.0	3260	74
1250	NMI 400L4L	1784	95.9	96.1	0.89	0.88	211	5.0	6692	0.6	2.2	17.1	3350	74
1400	NMI 400L4L	1784	96.1	96.3	0.89	0.88	236	5.2	7493	0.6	2.3	18.2	3470	74
1550	NMI 400L4L	1785	96.2	96.4	0.89	0.87	262	5.5	8292	0.6	2.4	19.2	3580	74
1600	NMI 450L4L	1789	96.1	96.1	0.89	0.87	270	5.7	8542	0.6	2.6	33.1	4320	75
1800	NMI 450L4L	1789	96.3	96.3	0.90	0.88	301	5.9	9609	0.6	2.6	36.9	4600	75
2000	NMI 450L4L	1790	96.4	96.4	0.89	0.87	337	6.2	10673	0.6	2.8	38.8	4760	75
2240	NMI 450L4L	1789	96.4	96.4	0.89	0.87	378	6.2	11955	0.6	2.8	40.8	4850	75
2400	NMI 450L4L	1787	96.4	96.6	0.90	0.89	400	5.3	12823	0.5	2.4	40.8	4880	75
2500	NMI 500L4L	1789	96.5	96.5	0.90	0.88	418	5.7	13346	0.6	2.6	51.8	5690	75
2800	NMI 500L4L	1788	96.6	96.6	0.90	0.89	465	5.5	14952	0.6	2.5	54.7	5880	75
3150	NMI 500L4L	1788	96.7	96.8	0.91	0.90	518	5.5	16823	0.6	2.4	60.5	6240	75
3450	NMI 500L4L	1789	96.8	96.8	0.89	0.88	575	5.8	18418	0.6	2.6	63.2	6440	75
3550	NMI 560L4L	1791	96.7	96.6	0.92	0.90	578	6.5	18924	0.6	3.0	105.0	8750	77
4000	NMI 560L4L	1791	96.8	96.7	0.91	0.90	652	6.0	21333	0.5	2.7	105.0	8730	77
4500	NMI 560L4L	1791	96.9	96.9	0.92	0.91	729	6.3	23994	0.6	2.8	118.6	9430	77
5000	NMI 560L4L	1790	96.9	97.0	0.92	0.91	812	5.9	26671	0.5	2.7	118.6	9410	77
5600	NMI 630L4L	1790	96.8	96.7	0.93	0.93	895	6.3	29878	0.5	3.0	216.7	12730	78
6300	NMI 630L4L	1791	96.9	96.8	0.92	0.91	1018	6.5	33598	0.5	3.0	223.0	12960	78
6900	NMI 630L4L	1790	96.9	96.9	0.93	0.93	1102	6.2	36819	0.5	2.9	232.8	13250	78

Modular induction motors, type NMI

Technical data

IP55, IC81W, insulation class F, temperature rise class B
4000 V, 60 Hz

Output [kW]	Motor type	Speed [r/min]	Efficiency		Power factor		I_N [A]	I_S I_N [pu]	T_N [Nm]	T_S T_N [pu]	T_{max} T_N [pu]	Rotor inertia [kgm ²]	Motor weight [kg]	Sound pressure level L_p [dB(A)]
			Full load 100 %	3/4 load 75 %	Full load 100 %	3/4 load 75 %								
1200 r/min = 6 poles														
4000 V 60 Hz														
280	NMI 355L6L	1191	95.1	94.8	0.80	0.75	53	5.6	2245	0.8	2.6	9.0	2420	73
315	NMI 355L6L	1190	95.1	95.0	0.83	0.79	58	5.1	2529	0.7	2.3	9.1	2420	73
355	NMI 355L6L	1188	95.1	95.2	0.84	0.81	65	4.5	2853	0.6	2.0	9.1	2420	73
400	NMI 355L6L	1189	95.2	95.1	0.81	0.77	75	4.8	3213	0.7	2.1	9.1	2430	73
450	NMI 355L6L	1189	95.3	95.3	0.81	0.77	84	4.9	3614	0.7	2.1	9.9	2510	73
500	NMI 355L6L	1186	95.2	95.1	0.84	0.80	91	5.2	4024	0.8	2.3	10.9	2610	73
560	NMI 355L6L	1188	95.2	95.0	0.79	0.74	107	5.8	4500	0.9	2.7	10.9	2600	73
630	NMI 355L6L	1187	95.2	95.2	0.81	0.76	118	5.2	5070	0.8	2.4	10.9	2600	73
710	NMI 355L6L	1186	95.2	95.2	0.82	0.78	131	5.1	5717	0.8	2.3	11.7	2670	73
800	NMI 355L6L	1187	95.4	95.4	0.83	0.80	145	5.2	6439	0.8	2.3	14.0	2940	73
900	NMI 400L6L	1185	95.2	95.4	0.85	0.83	161	4.6	7250	0.6	2.1	19.0	3140	73
1000	NMI 400L6L	1185	95.4	95.6	0.85	0.83	178	4.6	8057	0.6	2.1	20.3	3270	73
1120	NMI 400L6L	1185	95.4	95.6	0.85	0.83	199	4.6	9024	0.6	2.1	21.6	3360	73
1250	NMI 400L6L	1187	95.5	95.7	0.84	0.82	224	5.1	10058	0.7	2.3	24.3	3560	73
1350	NMI 400L6L	1186	95.6	95.8	0.85	0.83	239	4.8	10871	0.7	2.2	25.6	3690	73
1400	NMI 450L6L	1189	95.9	96.2	0.87	0.85	243	4.9	11243	0.6	2.1	39.2	4210	74
1600	NMI 450L6L	1189	96.0	96.2	0.87	0.85	277	5.2	12847	0.7	2.2	43.7	4460	74
1800	NMI 450L6L	1189	96.2	96.4	0.87	0.85	311	5.2	14454	0.7	2.2	46.1	4630	74
2000	NMI 450L6L	1190	96.3	96.5	0.86	0.84	347	5.5	16050	0.7	2.4	50.9	4900	74
2240	NMI 500L6L	1190	96.3	96.5	0.88	0.87	382	4.9	17982	0.6	2.1	75.0	5880	74
2500	NMI 500L6L	1190	96.4	96.6	0.88	0.87	425	5.1	20063	0.7	2.2	82.9	6220	74
2800	NMI 500L6L	1190	96.4	96.7	0.88	0.87	475	4.9	22471	0.6	2.1	89.7	6500	74
3150	NMI 500L6L	1190	96.5	96.8	0.88	0.87	535	4.7	25285	0.6	2.0	93.6	6730	74
3550	NMI 560L6L	1193	96.7	96.8	0.88	0.87	601	5.2	28423	0.5	2.3	140.1	8940	76
4000	NMI 560L6L	1193	96.8	96.9	0.89	0.88	672	5.2	32027	0.6	2.2	156.7	9560	76
4300	NMI 560L6L	1193	96.9	97.0	0.88	0.87	725	5.3	34422	0.6	2.3	162.2	9810	76
4500	NMI 630L6L	1193	96.7	96.6	0.89	0.87	753	6.2	36022	0.6	2.9	285.3	12750	77
5000	NMI 630L6L	1193	96.8	96.7	0.89	0.87	836	6.4	40018	0.6	3.0	313.7	13520	77
5600	NMI 630L6L	1193	96.9	96.9	0.90	0.89	926	5.9	44839	0.6	2.8	319.9	13760	77

Modular induction motors, type NMI

Technical data

IP55, IC81W, insulation class F, temperature rise class B
4000 V, 60 Hz

Output [kW]	Motor type	Speed [r/min]	Efficiency		Power factor		I_N [A]	I_S I_N [pu]	T_N [Nm]	T_S T_N [pu]	T_{max} T_N [pu]	Rotor inertia [kgm ²]	Motor weight [kg]	Sound pressure level L_p [dB(A)]
			Full load 100 %	3/4 load 75 %	Full load 100 %	3/4 load 75 %								
900 r/min = 8 poles														
4000 V 60 Hz														
185	NMI 355L8L	891	94.2	94.1	0.74	0.68	38	4.5	1984	0.8	2.1	7.7	2220	73
200	NMI 355L8L	890	94.2	94.2	0.75	0.69	41	4.2	2147	0.7	2.0	7.7	2220	73
220	NMI 355L8L	890	94.2	94.1	0.72	0.65	47	4.4	2359	0.8	2.1	7.7	2220	73
250	NMI 355L8L	890	94.4	94.4	0.74	0.68	52	4.3	2682	0.7	2.0	8.5	2310	73
280	NMI 355L8L	890	94.6	94.6	0.75	0.69	57	4.3	3004	0.8	2.0	9.3	2390	73
315	NMI 355L8L	890	94.7	94.7	0.74	0.68	65	4.4	3378	0.8	2.0	10.0	2480	73
355	NMI 355L8L	890	94.9	94.9	0.76	0.70	71	4.5	3807	0.8	2.0	11.6	2660	73
400	NMI 355L8L	891	94.8	94.7	0.74	0.68	83	4.5	4289	0.8	2.0	11.6	2640	73
450	NMI 355L8L	890	95.0	95.0	0.74	0.68	92	4.4	4827	0.8	2.0	12.4	2750	73
500	NMI 355L8L	890	95.0	95.0	0.74	0.68	103	4.5	5363	0.8	2.0	13.1	2820	73
560	NMI 400L8L	891	95.2	95.3	0.80	0.75	106	5.2	6000	0.8	2.2	19.8	2900	73
630	NMI 400L8L	891	95.1	95.3	0.82	0.78	117	5.0	6755	0.8	2.1	21.5	2990	73
710	NMI 400L8L	891	95.0	95.3	0.81	0.78	133	4.8	7609	0.7	2.1	23.2	3100	73
800	NMI 400L8L	890	95.3	95.6	0.83	0.80	147	4.8	8583	0.8	2.0	24.9	3210	73
900	NMI 400L8L	892	95.6	95.7	0.81	0.76	169	5.5	9639	1.0	2.3	28.2	3430	73
1000	NMI 400L8L	892	95.7	95.8	0.81	0.76	186	5.6	10708	1.0	2.4	31.6	3640	73
1050	NMI 400L8L	891	95.7	95.9	0.82	0.79	192	5.1	11248	0.8	2.1	32.9	3740	73
1120	NMI 450L8L	892	95.7	96.0	0.83	0.80	203	5.0	11991	0.8	2.0	44.8	4160	73
1250	NMI 450L8L	892	95.9	96.1	0.84	0.81	225	5.1	13382	0.8	2.0	50.5	4430	73
1400	NMI 450L8L	892	96.0	96.2	0.84	0.81	252	5.3	14980	0.8	2.1	56.2	4700	73
1550	NMI 450L8L	892	96.0	96.2	0.83	0.80	281	5.2	16586	0.8	2.1	59.0	4830	73
1600	NMI 500L8L	893	96.0	96.0	0.82	0.79	292	5.2	17115	0.8	2.3	80.6	6010	73
1800	NMI 500L8L	893	96.0	96.1	0.82	0.78	329	5.2	19256	0.8	2.3	84.6	6180	73
2000	NMI 500L8L	892	96.1	96.2	0.83	0.79	363	5.1	21399	0.8	2.2	92.7	6520	73
2240	NMI 500L8L	893	96.2	96.2	0.81	0.78	413	5.0	23962	0.7	2.2	96.7	6730	73
2500	NMI 560L8L	893	96.5	96.5	0.85	0.83	440	5.2	26719	0.6	2.2	153.5	8970	75
2800	NMI 560L8L	894	96.6	96.6	0.85	0.82	493	5.3	29922	0.7	2.2	165.7	9410	75
3150	NMI 560L8L	893	96.6	96.6	0.86	0.84	550	4.9	33685	0.6	2.0	177.9	9780	75
3350	NMI 560L8L	894	96.6	96.6	0.85	0.82	591	5.5	35789	0.7	2.3	190.2	10230	75
3550	NMI 630L8L	895	96.6	96.4	0.85	0.82	623	5.8	37897	0.6	2.6	299.2	12700	75
4000	NMI 630L8L	894	96.7	96.6	0.86	0.84	693	5.4	42722	0.6	2.4	329.6	13520	75
4500	NMI 630L8L	895	96.7	96.5	0.85	0.82	791	6.1	48024	0.7	2.7	360.0	14360	75

Modular induction motors, type NMI

Technical data

IP55, IC81W, insulation class F, temperature rise class B
6600 V, 60 Hz

Output [kW]	Motor type	Speed [r/min]	Efficiency		Power factor		I_N [A]	I_S I_N [pu]	T_N [Nm]	T_S T_N [pu]	T_{max} T_N [pu]	Rotor inertia [kgm ²]	Motor weight [kg]	Sound pressure level L_p [dB(A)]
			Full load 100 %	3/4 load 75 %	Full load 100 %	3/4 load 75 %								
1800 r/min = 4 poles														
6600 V 60 Hz														
250	NMI 355L4L	1789	95.1	94.7	0.85	0.81	27	6.3	1334	0.7	3.1	6.5	2430	74
280	NMI 355L4L	1788	95.1	94.8	0.86	0.82	30	6.2	1496	0.6	3.0	6.7	2430	74
315	NMI 355L4L	1788	95.2	94.9	0.85	0.81	34	6.2	1683	0.7	3.0	6.7	2430	74
355	NMI 355L4L	1787	95.3	95.1	0.86	0.82	38	5.9	1897	0.6	2.8	6.7	2420	74
400	NMI 355L4L	1785	95.3	95.3	0.87	0.84	42	5.3	2140	0.6	2.5	6.7	2420	74
450	NMI 355L4L	1787	95.5	95.3	0.83	0.79	49	6.5	2404	0.8	3.0	7.3	2520	74
500	NMI 355L4L	1786	95.6	95.5	0.85	0.81	54	5.9	2674	0.7	2.7	7.3	2520	74
560	NMI 355L4L	1784	95.6	95.6	0.86	0.82	60	5.3	2998	0.6	2.4	7.3	2520	74
630	NMI 355L4L	1782	95.5	95.7	0.86	0.84	67	4.8	3377	0.6	2.2	7.3	2520	74
710	NMI 355L4L	1781	95.6	95.9	0.87	0.85	75	4.7	3807	0.6	2.1	7.8	2610	74
800	NMI 355L4L	1781	95.7	96.0	0.87	0.85	84	4.7	4290	0.6	2.1	8.3	2700	74
900	NMI 355L4L	1783	96.0	96.2	0.87	0.84	95	5.2	4820	0.6	2.4	9.4	2890	74
1000	NMI 355L4L	1781	96.0	96.2	0.87	0.85	105	4.7	5361	0.6	2.1	9.4	2900	74
1120	NMI 400L4L	1785	95.9	96.0	0.87	0.85	117	5.6	5991	0.7	2.5	16.0	3250	74
1250	NMI 400L4L	1785	96.0	96.2	0.89	0.88	129	4.9	6687	0.6	2.1	16.9	3340	74
1400	NMI 400L4L	1785	96.1	96.4	0.89	0.89	143	5.0	7489	0.6	2.1	18.9	3560	74
1600	NMI 400L4L	1786	96.3	96.5	0.89	0.89	163	5.1	8557	0.6	2.2	21.0	3810	74
1700	NMI 400L4L	1785	96.3	96.6	0.89	0.89	173	4.8	9097	0.6	2.1	21.0	3810	74
1800	NMI 450L4L	1790	96.3	96.3	0.90	0.88	183	6.4	9603	0.6	2.8	38.9	4730	75
2000	NMI 450L4L	1789	96.4	96.4	0.90	0.89	202	5.8	10678	0.6	2.5	38.9	4730	75
2240	NMI 450L4L	1789	96.4	96.5	0.89	0.88	227	5.9	11958	0.6	2.6	40.8	4850	75
2500	NMI 450L4L	1789	96.5	96.5	0.89	0.87	256	6.1	13344	0.6	2.8	42.7	4990	75
2700	NMI 450L4L	1788	96.5	96.6	0.88	0.86	280	5.4	14420	0.6	2.5	42.7	5010	75
2800	NMI 500L4L	1789	96.6	96.6	0.91	0.89	280	5.7	14949	0.6	2.5	57.6	6020	75
3150	NMI 500L4L	1789	96.7	96.8	0.90	0.89	316	5.9	16815	0.6	2.6	60.5	6220	75
3550	NMI 500L4L	1789	96.7	96.8	0.90	0.89	357	5.6	18950	0.6	2.5	65.7	6470	75
3850	NMI 500L4L	1788	96.8	97.0	0.90	0.89	386	5.4	20557	0.6	2.4	68.6	6730	75
4000	NMI 560L4L	1791	96.9	96.9	0.91	0.90	395	6.2	21328	0.6	2.7	102.8	8790	77
4500	NMI 560L4L	1791	97.0	97.0	0.92	0.91	442	6.1	23997	0.6	2.6	111.7	9240	77
5000	NMI 560L4L	1790	97.0	97.1	0.92	0.92	489	5.6	26677	0.5	2.4	116.1	9440	77
5600	NMI 560L4L	1789	97.1	97.2	0.92	0.93	546	5.4	29887	0.5	2.3	124.9	9920	77
6300	NMI 630L4L	1790	96.8	96.8	0.93	0.93	611	6.3	33612	0.5	2.9	225.2	12920	78
7100	NMI 630L4L	1792	97.1	97.0	0.91	0.90	703	6.3	37831	0.5	2.9	231.2	13520	78

Modular induction motors, type NMI

Technical data

IP55, IC81W, insulation class F, temperature rise class B
6600 V, 60 Hz

Output [kW]	Motor type	Speed [r/min]	Efficiency		Power factor		I_N [A]	I_S I_N [pu]	T_N [Nm]	T_S T_N [pu]	T_{max} T_N [pu]	Rotor inertia [kgm ²]	Motor weight [kg]	Sound pressure level L_p [dB(A)]
			Full load 100 %	3/4 load 75 %	Full load 100 %	3/4 load 75 %								
1200 r/min = 6 poles														
6600 V 60 Hz														
315	NMI 355L6L	1191	95.1	94.9	0.83	0.79	35	5.4	2526	0.7	2.5	10.5	2590	73
355	NMI 355L6L	1192	95.1	94.7	0.77	0.71	42	6.1	2843	0.9	2.8	10.5	2570	73
400	NMI 355L6L	1191	95.2	94.9	0.80	0.75	46	5.4	3207	0.8	2.4	10.5	2560	73
450	NMI 355L6L	1190	95.2	95.2	0.81	0.77	51	4.9	3612	0.7	2.2	10.5	2560	73
500	NMI 355L6L	1190	95.3	95.3	0.82	0.78	56	4.8	4014	0.7	2.1	11.2	2650	73
560	NMI 355L6L	1189	95.1	94.9	0.80	0.75	64	5.9	4499	1.0	2.7	11.7	2660	73
630	NMI 355L6L	1187	95.1	95.1	0.82	0.78	71	5.4	5068	0.8	2.4	11.7	2660	73
710	NMI 355L6L	1187	95.2	95.2	0.82	0.77	80	5.4	5711	0.9	2.5	12.5	2760	73
750	NMI 355L6L	1189	95.2	95.0	0.79	0.74	87	6.1	6024	1.0	2.9	14.0	2900	73
800	NMI 400L6L	1187	95.2	95.3	0.85	0.82	87	4.9	6438	0.7	2.2	19.0	3130	73
900	NMI 400L6L	1187	95.3	95.4	0.85	0.82	97	4.9	7243	0.7	2.2	20.3	3240	73
1000	NMI 400L6L	1185	95.2	95.5	0.85	0.84	108	4.5	8059	0.6	2.0	20.3	3240	73
1120	NMI 400L6L	1185	95.3	95.6	0.85	0.83	121	4.6	9023	0.6	2.1	21.6	3350	73
1250	NMI 400L6L	1187	95.6	95.9	0.86	0.84	133	4.5	10059	0.6	2.0	25.1	3660	73
1400	NMI 450L6L	1189	96.0	96.1	0.85	0.83	150	5.0	11240	0.6	2.2	38.9	4230	74
1600	NMI 450L6L	1190	96.1	96.2	0.85	0.83	170	5.1	12843	0.6	2.2	43.7	4500	74
1800	NMI 450L6L	1190	96.1	96.2	0.85	0.83	192	5.0	14450	0.6	2.2	46.4	4600	74
2000	NMI 450L6L	1189	96.2	96.4	0.86	0.85	210	4.8	16064	0.6	2.1	50.9	4880	74
2240	NMI 500L6L	1192	96.3	96.4	0.85	0.83	239	5.4	17952	0.7	2.3	74.9	5850	74
2500	NMI 500L6L	1191	96.3	96.5	0.86	0.84	265	4.9	20051	0.6	2.1	78.8	6010	74
2800	NMI 500L6L	1190	96.4	96.6	0.86	0.85	295	4.7	22466	0.6	2.0	86.7	6370	74
3000	NMI 500L6L	1190	96.4	96.7	0.86	0.85	315	4.8	24065	0.6	2.0	94.6	6680	74
3150	NMI 560L6L	1193	96.7	96.7	0.88	0.86	325	5.4	25221	0.6	2.3	128.9	8570	76
3550	NMI 560L6L	1193	96.8	96.8	0.88	0.87	364	5.4	28425	0.6	2.3	139.9	9000	76
4000	NMI 560L6L	1192	96.9	97.0	0.89	0.88	407	5.2	32033	0.6	2.2	156.3	9650	76
4500	NMI 560L6L	1193	97.0	97.0	0.88	0.87	460	5.5	36025	0.6	2.3	167.3	10080	76
5000	NMI 630L6L	1192	96.7	96.7	0.90	0.89	500	6.0	40051	0.6	2.7	313.1	13480	77
5600	NMI 630L6L	1192	96.8	96.8	0.90	0.89	561	6.0	44857	0.6	2.8	322.6	13750	77
5800	NMI 630L6L	1192	96.8	96.9	0.91	0.90	579	5.6	46482	0.6	2.6	332.2	14020	77

Modular induction motors, type NMI

Technical data

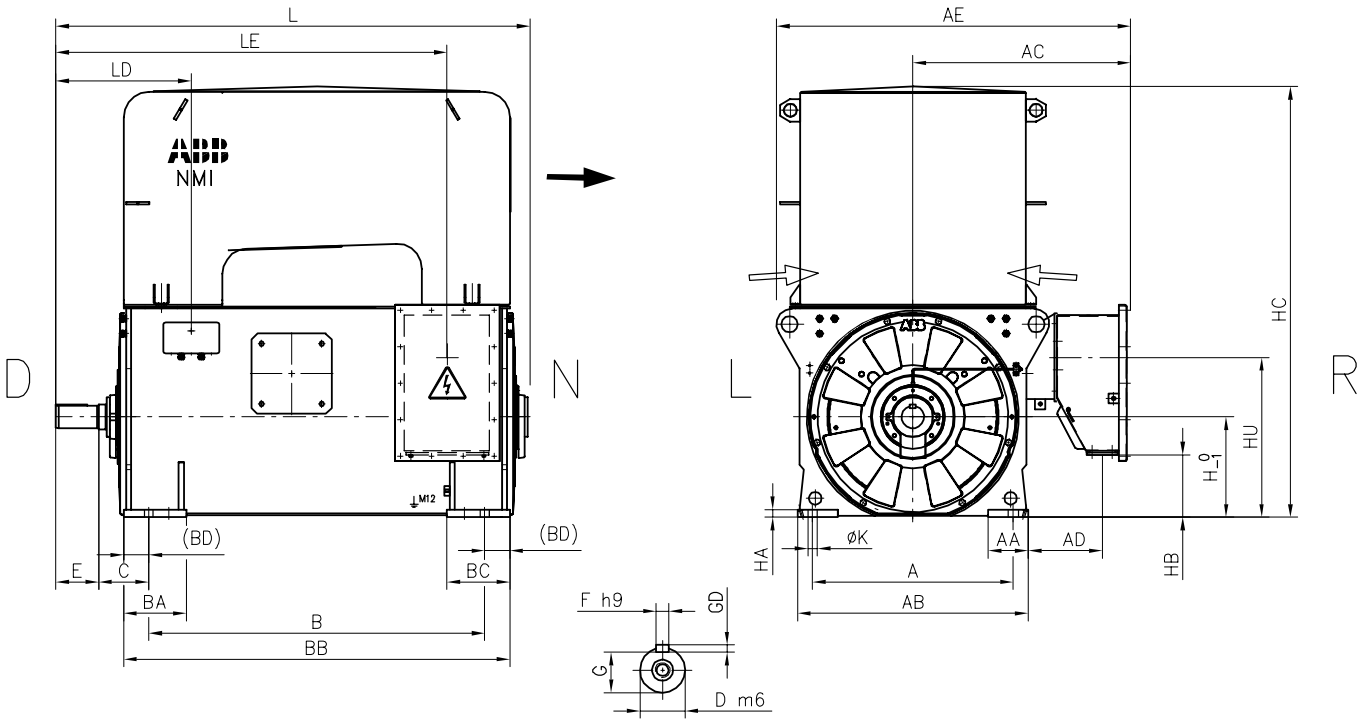
IP55, IC81W, insulation class F, temperature rise class B
6600 V, 60 Hz

Output [kW]	Motor type	Speed [r/min]	Efficiency		Power factor		I_N [A]	I_S I_N [pu]	T_N [Nm]	T_S T_N [pu]	T_{max} T_N [pu]	Rotor inertia [kgm ²]	Motor weight [kg]	Sound pressure level L_p [dB(A)]
			Full load 100 %	3/4 load 75 %	Full load 100 %	3/4 load 75 %								
900 r/min = 8 poles														
6600 V 60 Hz														
185	NMI 355L8L	891	94.2	94.1	0.76	0.71	23	4.6	1982	0.7	2.2	9.1	2370	73
200	NMI 355L8L	891	94.2	94.2	0.77	0.72	24	4.3	2144	0.7	2.1	9.1	2370	73
220	NMI 355L8L	891	94.2	94.0	0.75	0.69	27	4.6	2358	0.8	2.1	9.3	2370	73
250	NMI 355L8L	891	94.2	94.1	0.74	0.67	32	4.6	2679	0.8	2.1	9.3	2370	73
280	NMI 355L8L	891	94.2	94.0	0.71	0.64	36	4.6	3000	0.8	2.2	9.3	2370	73
315	NMI 355L8L	891	94.4	94.3	0.73	0.67	40	4.5	3377	0.8	2.0	10.0	2460	73
355	NMI 355L8L	890	94.5	94.5	0.75	0.69	44	4.4	3808	0.8	2.0	10.8	2550	73
400	NMI 355L8L	891	94.7	94.6	0.73	0.67	51	4.7	4286	0.9	2.2	12.4	2730	73
450	NMI 355L8L	891	94.4	94.4	0.72	0.65	58	4.6	4823	0.9	2.1	12.4	2700	73
500	NMI 355L8L	890	94.8	94.8	0.74	0.68	63	4.5	5362	0.8	2.0	13.1	2810	73
530	NMI 355L8L	890	94.7	94.7	0.74	0.68	66	4.5	5684	0.8	2.0	14.1	2880	73
560	NMI 400L8L	890	94.8	95.1	0.82	0.78	63	4.7	6006	0.7	2.0	20.0	2880	73
630	NMI 400L8L	891	94.9	95.3	0.82	0.78	71	4.7	6754	0.7	2.0	21.4	2980	73
710	NMI 400L8L	891	95.1	95.4	0.82	0.78	80	4.7	7613	0.7	2.0	23.1	3090	73
800	NMI 400L8L	890	95.2	95.5	0.82	0.79	89	4.8	8581	0.8	2.0	25.0	3200	73
900	NMI 400L8L	892	95.5	95.6	0.80	0.75	103	5.7	9633	1.0	2.4	29.9	3520	73
950	NMI 400L8L	892	95.5	95.5	0.80	0.74	109	5.9	10165	1.0	2.5	31.6	3600	73
1000	NMI 450L8L	892	95.6	95.8	0.83	0.80	111	5.1	10704	0.8	2.1	41.9	4020	73
1120	NMI 450L8L	893	95.8	95.9	0.81	0.77	126	5.5	11978	0.9	2.3	44.8	4150	73
1250	NMI 450L8L	893	95.9	96.0	0.80	0.75	142	6.0	13360	1.0	2.5	50.5	4420	73
1400	NMI 450L8L	893	95.9	96.0	0.82	0.78	156	5.8	14968	0.9	2.3	56.2	4660	73
1550	NMI 450L8L	893	96.1	96.1	0.80	0.75	176	5.9	16567	1.0	2.4	59.0	4820	73
1600	NMI 500L8L	893	96.0	96.1	0.82	0.78	178	5.0	17108	0.7	2.2	79.6	5990	73
1800	NMI 500L8L	893	96.1	96.2	0.82	0.79	199	5.0	19250	0.7	2.1	87.5	6320	73
2000	NMI 500L8L	893	96.1	96.1	0.82	0.79	221	5.3	21396	0.8	2.3	92.7	6510	73
2150	NMI 500L8L	893	96.1	96.2	0.82	0.79	239	4.8	22991	0.6	2.1	99.4	6810	73
2240	NMI 560L8L	894	96.4	96.4	0.84	0.82	241	5.3	23937	0.7	2.3	140.8	8530	75
2500	NMI 560L8L	893	96.4	96.4	0.85	0.82	268	5.1	26725	0.6	2.2	146.9	8680	75
2800	NMI 560L8L	894	96.5	96.5	0.84	0.81	302	5.4	29920	0.7	2.3	159.1	9120	75
3150	NMI 560L8L	894	96.6	96.6	0.85	0.82	337	5.5	33654	0.7	2.3	183.6	10020	75
3350	NMI 560L8L	894	96.6	96.5	0.84	0.81	360	5.9	35782	0.8	2.5	191.0	10250	75
3550	NMI 630L8L	894	96.6	96.5	0.86	0.84	374	5.4	37917	0.6	2.4	299.2	12680	75
4000	NMI 630L8L	894	96.6	96.5	0.86	0.83	422	5.6	42710	0.6	2.5	329.6	13430	75
4500	NMI 630L8L	894	96.7	96.6	0.86	0.84	473	5.5	48053	0.6	2.5	360.0	14250	75
4600	NMI 630L8L	894	96.7	96.6	0.86	0.84	483	5.4	49128	0.6	2.4	360.0	14250	75

Modular induction motors, type NMI

Dimension drawings

Antifriction bearing, IM 1001, IC01/IP24, NMI 355-500



NMI	Poles	A	B	C	D	E	F	G	H	K	L	AA	AB	AC	AC ¹⁾	AC ²⁾	AD	AD ¹⁾	AD ²⁾
355L	2	710	1250	190	85	170	22	76	355	35	1740	100	780	880	820	905	380	320	400
355L	≥4	710	1250	190	100	210	28	90	355	35	1780	100	780	880	820	905	380	320	400
400L	2	800	1340	200	90	170	25	81	400	36	1910	160	920	920	865	960	360	300	390
400L	≥4	800	1340	200	120	210	32	109	400	36	1950	160	920	920	865	960	360	300	390
450L	2	950	1400	250	100	210	28	90	450	42	2120	185	1070	975	915	1005	330	270	350
450L	≥4	950	1400	250	130	250	32	119	450	42	2160	185	1070	975	915	1005	330	270	350
500L	≥4	1000	1600	250	150	250	36	138	500	42	2380	190	1170	1025	960	1055	330	270	350

¹⁾ Dimension for 1<U_n≤6.6 kV

²⁾ Dimension for 6<U≤11 kV

NMI	Poles	AE	AE ¹⁾	AE ²⁾	BA	BB	BC	BD	GD	HA	HB	HB ¹⁾	HB ²⁾	HC	LD	LE	HU
355L	2	1365	1305	1390	225	1420	225	85	14	45	70	200	35	1480	510	1448	590
355L	≥4	1365	1305	1390	225	1420	225	85	16	45	70	200	35	1480	550	1488	590
400L	2	1475	1415	1495	250	1540	250	100	14	30	120	250	85	1720	540	1560	635
400L	≥4	1475	1415	1495	250	1540	250	100	18	30	120	250	85	1720	580	1600	635
450L	2	1570	1510	1600	270	1700	270	150	16	39	170	300	135	1870	610	1720	685
450L	≥4	1570	1510	1600	270	1700	270	150	18	39	170	300	135	1870	650	1760	685
500L	≥4	1670	1605	1695	280	1900	280	150	20	45	250	375	210	2065	675	2010	765

¹⁾ Dimension for 1<U_n≤6.6 kV

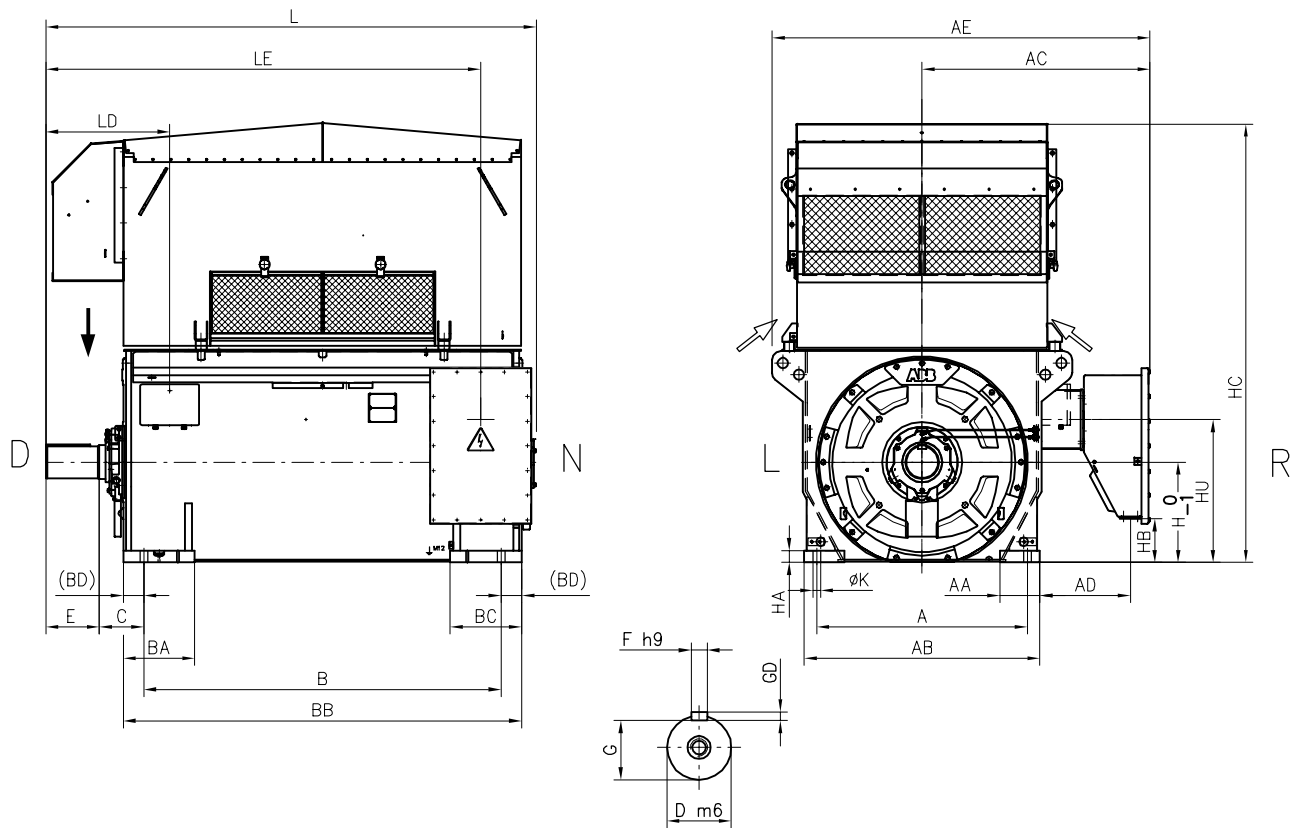
²⁾ Dimension for 6<U≤11 kV

Table gives main dimensions in mm.

Modular induction motors, type NMI

Dimension drawings

Antifriction bearing, IM 1001, IC01/IP24W, NMI 560-630



NMI	Poles	A	B	C	D	E	F	G	H	K	L	AA	AB	AC	AC ¹⁾	AD	AD ¹⁾
560L	≥4	1180	2000	250	180	300	45	165	560	42	2755	225	1320	1200	1275	425	510
630L	4	1400	2240	250	180	300	45	165	630	42	3010	200	1500	1285	1360	420	505
630L	≥6	1400	2240	250	200	350	45	185	630	42	3045	200	1500	1285	1360	420	505

¹⁾ Dimension for 6<U≤11 kV

NMI	Poles	AE	AE ¹⁾	BA	BB	BC	BD	GD	HA	HB	HB ¹⁾	HC	LD	LE	HU
560L	≥4	2040	2115	400	2230	400	115	25	65	410	245	2455	695	2435	800
630L	4	2220	2295	400	2470	400	115	25	65	560	395	2710	695	2435	950
630L	≥6	2220	2295	400	2470	400	115	25	65	560	395	2710	745	2485	950

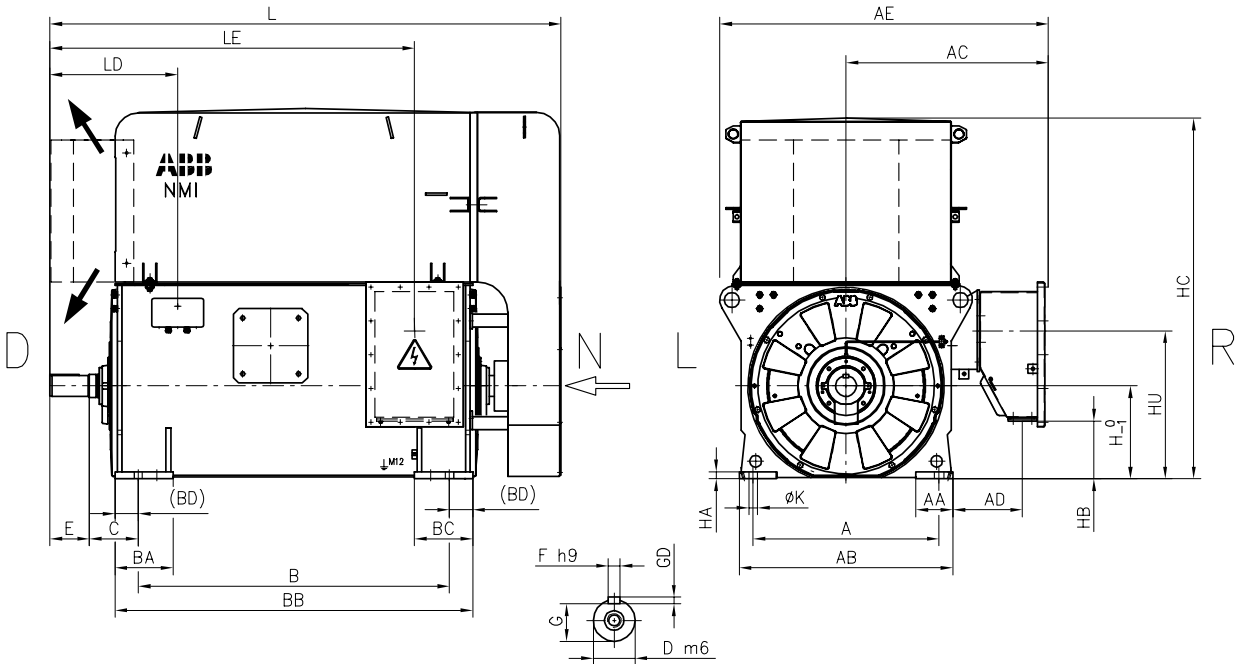
¹⁾ Dimension for 6<U≤11 kV

Table gives main dimensions in mm.

Modular induction motors, type NMI

Dimension drawings

Antifriction bearing, IM 1001, IC611/IP55, NMI 355-630



NMI	Poles	A	B	C	D	E	F	G	H	K	L	AA	AB	AC	AC ¹⁾	AC ²⁾	AD	AD ¹⁾	AD ²⁾
355L	2	710	1250	190	85	170	22	76	355	35	2090	100	780	880	820	905	380	320	400
355L	≥4	710	1250	190	100	210	28	90	355	35	2130	100	780	880	820	905	380	320	400
400L	2	800	1340	200	90	170	25	81	400	36	2200	160	920	920	865	960	360	300	390
400L	≥4	800	1340	200	120	210	32	109	400	36	2230	160	920	920	865	960	360	300	390
450L	2	950	1400	250	100	210	28	90	450	42	2430	185	1070	975	915	1005	330	270	350
450L	≥4	950	1400	250	130	250	32	119	450	42	2470	185	1070	975	915	1005	330	270	350
500L	≥4	1000	1600	250	150	250	36	138	500	42	2720	190	1170	1025	960	1055	330	270	350
560L	≥4	1180	2000	250	180	300	45	165	560	42	3455	225	1320	NA	1200	1285	NA	435	510
630L	4	1400	2240	250	180	300	45	165	630	42	3680	200	1500	NA	1285	1365	NA	430	510
630L	≥6	1400	2240	250	200	350	45	185	630	42	3730	200	1500	NA	1285	1365	NA	430	510

¹⁾ Dimension for 1<U_n≤6.6 kV

²⁾ Dimension for 6<U≤11 kV

NMI	Poles	AE	AE ¹⁾	AE ²⁾	BA	BB	BC	BD	GD	HA	HB	HB ¹⁾	HB ²⁾	HC	LD	LE	HU
355L	2	1365	1305	1390	225	1420	225	85	14	45	70	200	35	1430	510	1448	590
355L	≥4	1365	1305	1390	225	1420	225	85	16	45	70	200	35	1430	550	1488	590
400L	2	1475	1415	1495	250	1540	250	100	14	30	120	250	85	1595	540	1560	635
400L	≥4	1475	1415	1495	250	1540	250	100	18	30	120	250	85	1595	580	1600	635
450L	2	1570	1510	1600	270	1700	270	150	16	39	170	300	135	1740	610	1720	685
450L	≥4	1570	1510	1600	270	1700	270	150	18	39	170	300	135	1740	650	1760	685
500L	≥4	1670	1605	1695	280	1900	280	150	20	45	250	375	210	1930	675	2010	765
560L	≥4	NA	2040	2125	400	2230	400	115	25	65	NA	410	245	2170	695	2435	800
630L	4	NA	2215	2295	400	2470	400	115	25	65	NA	560	395	2380	695	2675	950
630L	≥6	NA	2215	2295	400	2470	400	115	25	65	NA	560	395	2380	745	2725	950

¹⁾ Dimension for 1<U_n≤6.6 kV

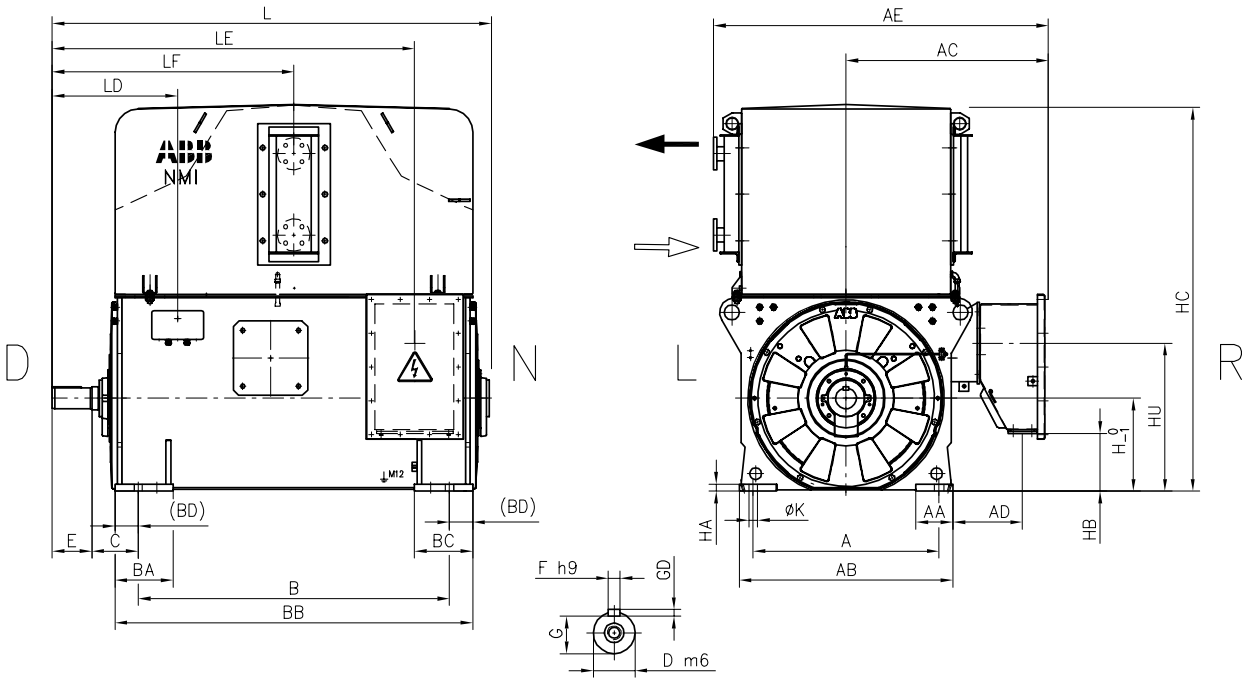
²⁾ Dimension for 6<U≤11 kV

Table gives main dimensions in mm.

Modular induction motors, type NMI

Dimension drawings

Antifriction bearing, IM 1001, IC81W/IP55, NMI 355-630



NMI	Poles	A	B	C	D	E	F	G	H	K	L	AA	AB	AC	AC ¹⁾	AC ²⁾	AD	AD ¹⁾	AD ²⁾
355L	2	710	1250	190	85	170	22	76	355	35	1740	100	780	880	820	905	380	320	400
355L	≥4	710	1250	190	100	210	28	90	355	35	1820	100	780	880	820	905	380	320	400
400L	2	800	1340	200	90	170	25	81	400	36	1910	160	920	920	865	960	360	300	390
400L	≥4	800	1340	200	120	210	32	109	400	36	1950	160	920	920	865	960	360	300	390
450L	2	950	1400	250	100	210	28	90	450	42	2120	185	1070	975	915	1005	330	270	350
450L	≥4	950	1400	250	130	250	32	119	450	42	2160	185	1070	975	915	1005	330	270	350
500L	≥4	1000	1600	250	150	250	36	138	500	42	2380	190	1170	1025	960	1055	330	270	350
560L	≥4	1180	2000	250	180	300	45	165	560	42	2750	225	1320	NA	1200	1285	NA	435	510
630L	4	1400	2240	250	180	300	45	165	630	42	3000	200	1500	NA	1285	1365	NA	430	510
630L	≥6	1400	2240	250	200	350	45	185	630	42	3035	200	1500	NA	1285	1365	NA	430	510

¹⁾ Dimension for $1 < U_n \leq 6.6$ kV
²⁾ Dimension for $6 < U \leq 11$ kV

NMI	Poles	AE	AE ¹⁾	AE ²⁾	BA	BB	BC	BD	GD	HA	HB	HB ¹⁾	HB ²⁾	HC	LD	LE	HU
355L	2	1365	1305	1390	225	1420	225	85	14	45	70	200	35	1680	510	1448	590
355L	≥4	1365	1305	1390	225	1420	225	85	16	45	70	200	35	1680	550	1488	590
400L	2	1495	1435	1530	250	1540	250	100	14	30	120	250	85	1665	540	1560	635
400L	≥4	1495	1435	1530	250	1540	250	100	18	30	120	250	85	1665	580	1600	635
450L	2	1600	1540	1620	270	1700	270	150	16	39	170	300	135	1870	610	1720	685
450L	≥4	1600	1540	1620	270	1700	270	150	18	39	170	300	135	1870	650	1760	685
500L	≥4	1700	1635	1730	280	1900	280	150	20	45	250	375	210	2065	675	2010	765
560L	≥4	NA	2040	2125	400	2230	400	115	25	65	NA	410	245	2225	695	2435	800
630L	4	NA	2215	2295	400	2470	400	115	25	65	NA	560	395	2330	695	2675	950
630L	≥6	NA	2215	2295	400	2470	400	115	25	65	NA	560	395	2330	745	2725	950

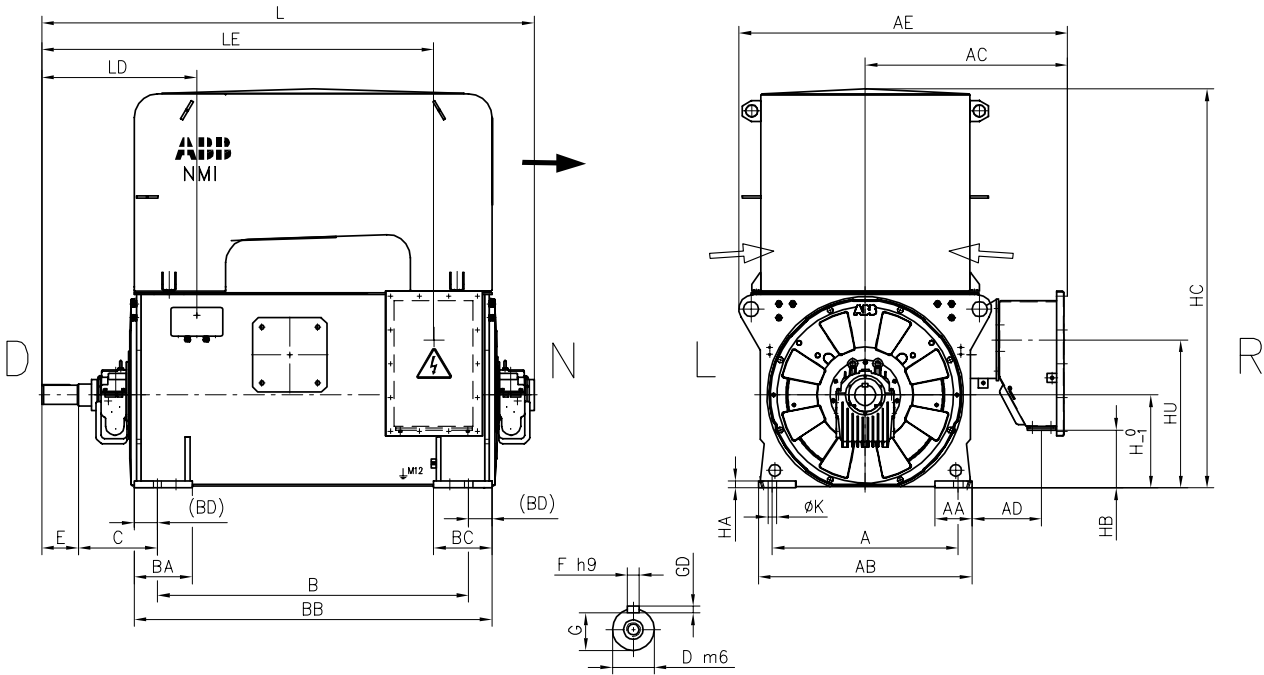
¹⁾ Dimension for $1 < U_n \leq 6.6$ kV
²⁾ Dimension for $6 < U \leq 11$ kV

Table gives main dimensions in mm.

Modular induction motors, type NMI

Dimension drawings

Sleeve bearing, IM 1001, IC01/IP24, NMI 400-500



NMI	Poles	A	B	C	D	E	F	G	H	K	L	AA	AB	AC	AC ¹⁾	AC ²⁾	AD	AD ¹⁾	AD ²⁾
400L	2	800	1340	375	90	170	25	81	400	36	2140	160	920	920	865	960	360	300	390
450L	2	950	1400	375	100	210	28	90	450	42	2280	185	1070	975	915	1005	330	270	350
500L	2	1000	1600	425	120	210	32	109	500	42	2560	190	1170	1025	960	1055	330	270	350
500L	≥4	1000	1600	450	150	250	36	138	500	42	2665	190	1170	1025	960	1055	330	270	350

¹⁾ Dimension for $1 < U_n \leq 6.6$ kV

²⁾ Dimension for $6 < U \leq 11$ kV

NMI	Poles	AE	AE ¹⁾	AE ²⁾	BA	BB	BC	BD	GD	HA	HB	HB ¹⁾	HB ²⁾	HC	LD	LE	HU
400L	2	1475	1415	1495	250	1540	250	100	14	30	120	250	85	1720	715	1735	635
450L	2	1570	1510	1600	270	1700	270	150	16	39	170	300	135	1870	735	1845	685
500L	2	1670	1605	1695	280	1900	280	150	18	45	250	375	210	2065	810	2145	765
500L	≥4	1670	1605	1695	280	1900	280	150	20	45	250	375	210	2065	875	2210	765

¹⁾ Dimension for $1 < U_n \leq 6.6$ kV

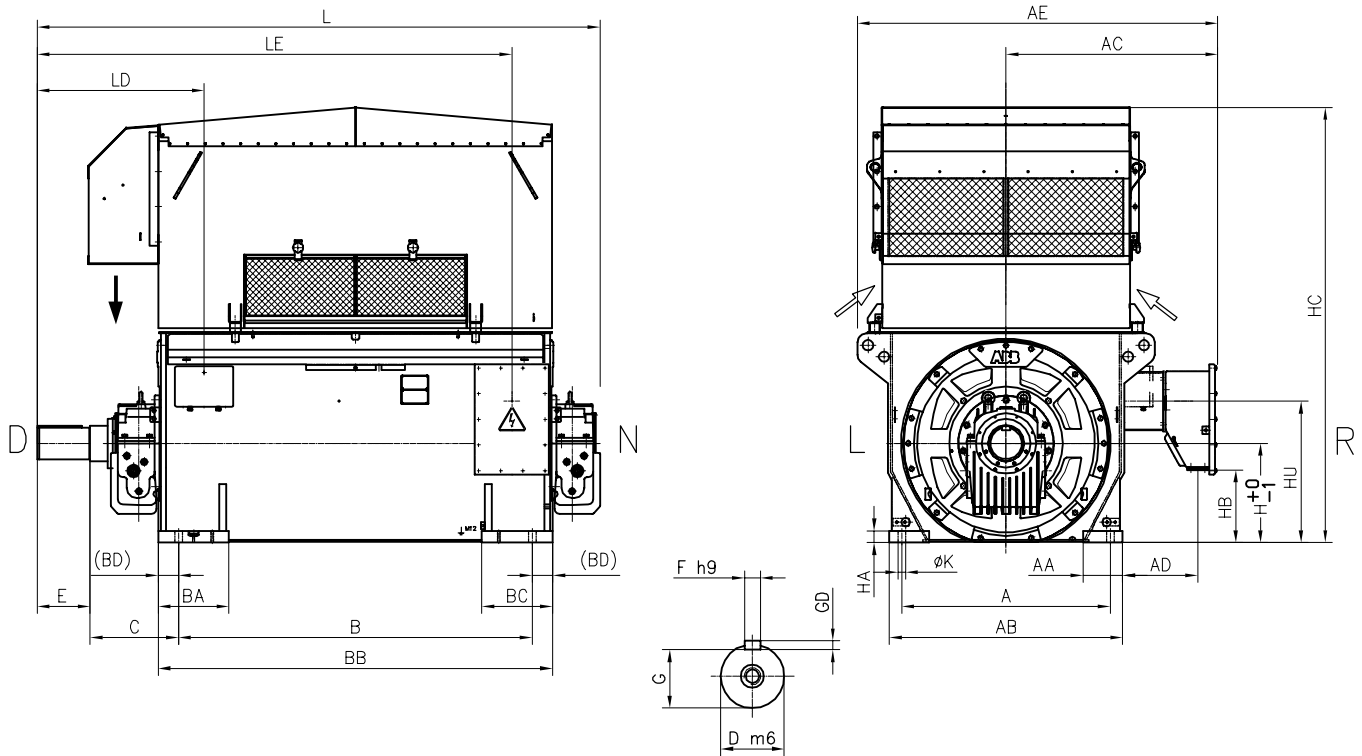
²⁾ Dimension for $6 < U \leq 11$ kV

Table gives main dimensions in mm.

Modular induction motors, type NMI

Dimension drawings

Sleeve bearing, IM 1001, IC01/IP24W, NMI 560-630



NMI	Poles	A	B	C	D	E	F	G	H	K	L	AA	AB	AC	AC ¹⁾	AD	AD ¹⁾
560L	2	1180	2000	400	140	250	36	128	560	42	2885	225	1320	1200	1275	425	510
630L	2	1400	2240	400	160	300	40	147	630	42	3165	200	1500	1285	1360	420	505
560L	4	1180	2000	500	180	300	45	165	560	42	3190	225	1320	1200	1275	425	510
560L	≥6	1180	2000	475	180	300	45	165	560	42	3125	225	1320	1200	1275	425	510
630L	4	1400	2240	500	180	300	45	165	630	42	3430	200	1500	1285	1360	420	505
630L	≥6	1400	2240	500	200	350	45	185	630	42	3480	200	1500	1285	1360	420	505

¹⁾ Dimension for 1<U≤11 kV

NMI	Poles	AE	AE ¹⁾	BA	BB	BC	BD	GD	HA	HB	HB ¹⁾	HC	LD	LE	HU
560L	2	2040	2115	400	2230	400	115	20	65	410	245	2450	795	2535	800
630L	2	2220	2295	400	2470	400	115	22	65	560	395	2710	845	2585	950
560L	4	2040	2115	400	2230	400	115	25	65	410	245	2465	945	2685	800
560L	≥6	2040	2115	400	2230	400	115	25	65	410	245	2465	920	2660	800
630L	4	2220	2295	400	2470	400	115	25	65	560	395	2710	945	2685	950
630L	≥6	2220	2295	400	2470	400	115	25	65	560	395	2710	995	2735	950

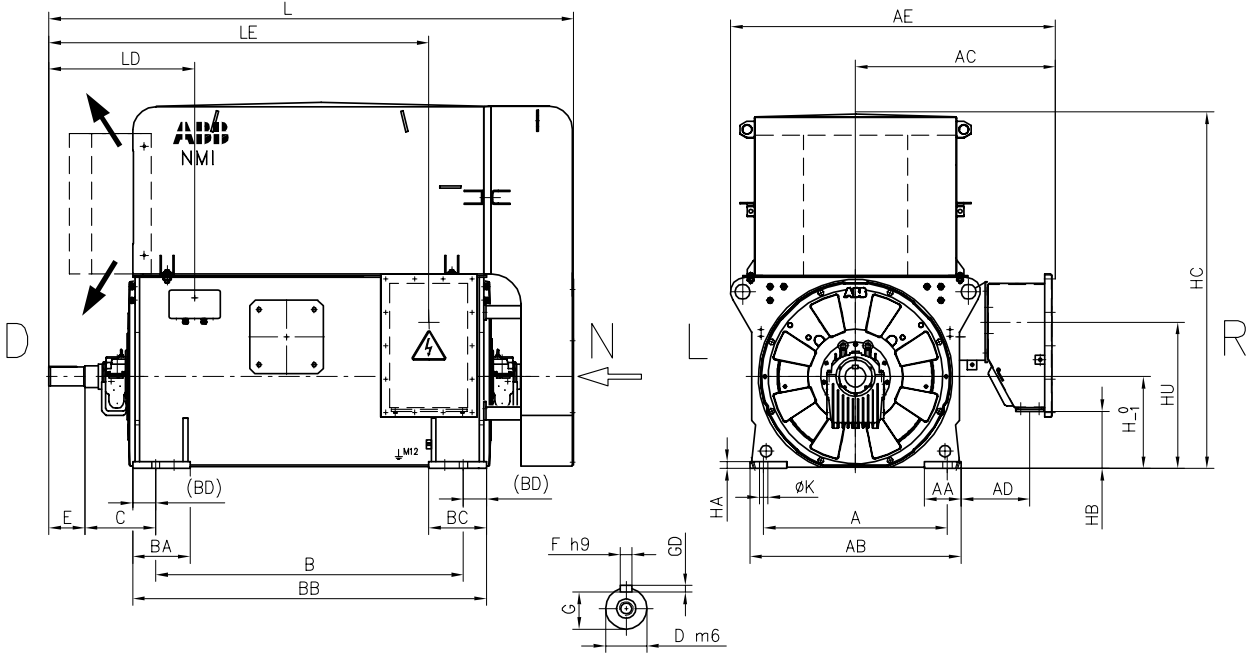
¹⁾ Dimension for 1<U≤11 kV

Table gives main dimensions in mm.

Modular induction motors, type NMI

Dimension drawings

Sleeve bearing, IM 1001, IC611/IP55, NMI 400-630



NMI	Poles	A	B	C	D	E	F	G	H	K	L	AA	AB	AC	AC ¹⁾	AC ²⁾	AD	AD ¹⁾	AD ²⁾
400L	2	800	1340	375	90	170	25	81	400	36	2370	160	920	920	865	960	360	300	390
450L	2	950	1400	375	100	210	28	90	450	42	2560	185	1070	975	915	1005	330	270	350
500L	2	1000	1600	425	120	210	32	109	500	42	2855	190	1170	1025	960	1055	330	270	350
500L	≥4	1000	1600	450	150	250	36	138	500	42	2920	190	1170	1025	960	1055	330	270	350
560L	2	1180	2000	400	140	250	36	128	560	42	3945	225	1320	NA	1200	1285	NA	435	510
560L	4	1180	2000	500	180	300	45	165	560	42	3705	225	1320	NA	1200	1285	NA	435	510
560L	≥6	1180	2000	475	180	300	45	165	560	42	3680	225	1320	NA	1200	1285	NA	435	510
630L	2	1400	2240	400	160	300	40	147	630	42	4285	200	1500	NA	1285	1365	NA	430	510
630L	4	1400	2240	500	180	300	45	165	630	42	3930	200	1500	NA	1285	1365	NA	430	510
630L	≥6	1400	2240	500	200	350	45	185	630	42	3980	200	1500	NA	1285	1365	NA	430	510

¹⁾ Dimension for 1<U_n≤6.6 kV

²⁾ Dimension for 6<U≤11 kV

NMI	Poles	AE	AE ¹⁾	AE ²⁾	BA	BB	BC	BD	GD	HA	HB	HB ¹⁾	HB ²⁾	HC	LD	LE	HU
400L	2	1475	1415	1495	250	1540	250	100	14	30	120	250	85	1595	715	1735	635
450L	2	1570	1510	1600	270	1700	270	150	16	39	170	300	135	1740	735	1845	685
500L	2	1670	1605	1695	280	1900	280	150	18	45	250	375	210	1930	810	2145	765
500L	≥4	1670	1605	1695	280	1900	280	150	20	45	250	375	210	1930	875	2210	765
560L	2	NA	2040	2125	400	2230	400	115	20	65	NA	410	245	2170	795	2535	800
560L	4	NA	2040	2125	400	2230	400	115	25	65	NA	410	245	2170	945	2685	800
560L	≥6	NA	2040	2125	400	2230	400	115	25	65	NA	410	245	2170	920	2660	800
630L	2	NA	2215	2295	400	2470	400	115	22	65	NA	560	395	2380	845	2825	950
630L	4	NA	2215	2295	400	2470	400	115	25	65	NA	560	395	2380	945	2925	950
630L	≥6	NA	2215	2295	400	2470	400	115	25	65	NA	560	395	2380	995	2975	950

¹⁾ Dimension for 1<U_n≤6.6 kV

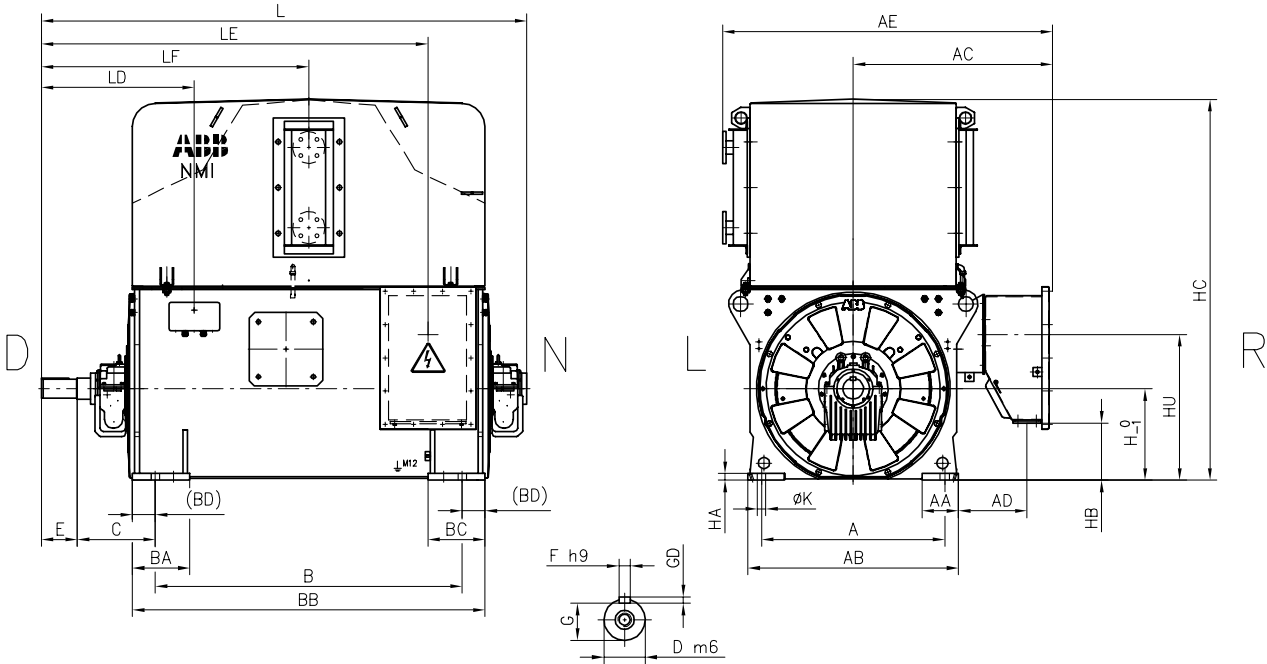
²⁾ Dimension for 6<U≤11 kV

Table gives main dimensions in mm.

Modular induction motors, type NMI

Dimension drawings

Sleeve bearing, IM 1001, IC81W/IP55, NMI 400-630



NMI	Poles	A	B	C	D	E	F	G	H	K	L	AA	AB	AC	AC ¹⁾	AC ²⁾	AD	AD ¹⁾	AD ²⁾
400L	2	800	1340	375	90	170	25	81	400	36	2140	160	920	920	865	960	360	300	390
450L	2	950	1400	375	100	210	28	90	450	42	2280	185	1070	975	915	1005	330	270	350
500L	2	1000	1600	425	120	210	32	109	500	42	2560	190	1170	1025	960	1055	330	270	350
500L	≥4	1000	1600	450	150	250	36	138	500	42	2665	190	1170	1025	960	1055	330	270	350
560L	2	1180	2000	400	140	250	36	128	560	42	2985	225	1320	NA	1200	1285	NA	435	510
560L	4	1180	2000	500	180	300	45	165	560	42	3190	225	1320	NA	1200	1285	NA	435	510
560L	≥6	1180	2000	475	180	300	45	165	560	42	3120	225	1320	NA	1200	1285	NA	435	510
630L	2	1400	2240	400	160	300	40	147	630	42	3240	200	1500	NA	1285	1365	NA	430	510
630L	4	1400	2240	500	180	300	45	165	630	42	3425	200	1500	NA	1285	1365	NA	430	510
630L	≥6	1400	2240	500	200	350	45	185	630	42	3475	200	1500	NA	1285	1365	NA	430	510

¹⁾ Dimension for 1<U_n≤6.6 kV

²⁾ Dimension for 6<U≤11 kV

NMI	Poles	AE	AE ¹⁾	AE ²⁾	BA	BB	BC	BD	GD	HA	HB	HB ¹⁾	HB ²⁾	HC	LD	LE	LF	HU
400L	2	1495	1435	1530	250	1540	250	100	14	30	120	250	85	1665	715	1735	1215	635
450L	2	1600	1540	1620	270	1700	270	150	16	39	170	300	135	1870	735	1845	1285	685
500L	2	1700	1635	1730	280	1900	280	150	18	45	250	375	210	2065	810	2145	1435	765
500L	≥4	1700	1635	1730	280	1900	280	150	20	45	250	375	210	2065	875	2210	1500	765
560L	2	NA	2040	2125	400	2230	400	115	20	65	NA	410	245	2415	795	2535	1425	800
560L	4	NA	2040	2125	400	2230	400	115	25	65	NA	410	245	2225	945	2685	1800	800
560L	≥6	NA	2040	2125	400	2230	400	115	25	65	NA	410	245	2225	920	2660	1775	800
630L	2	NA	2215	2295	400	2470	400	115	22	65	NA	560	395	2380	845	2825	1545	950
630L	4	NA	2215	2295	400	2470	400	115	25	65	NA	560	395	2330	945	2925	1920	950
630L	≥6	NA	2215	2295	400	2470	400	115	25	65	NA	560	395	2330	995	2975	1970	950

¹⁾ Dimension for 1<U_n≤6.6 kV

²⁾ Dimension for 6<U≤11 kV

Table gives main dimensions in mm.

Total product offering

ABB offers a wide range of motors, generators and mechanical power transmission products with a complete portfolio of services.



IEC motors

- Low voltage motors
- High voltage induction motors
- Synchronous motors
- Marine motors
- Motors for explosive atmospheres
- Motors for food and beverage
- Motors for variable speed drives
- Permanent magnet motors
- Synchronous reluctance motors
- Traction motors

NEMA motors

- Low voltage motors
- High voltage induction motors
- Synchronous motors
- Marine motors
- Motors for explosive atmospheres
- Motors for variable speed drives
- Permanent magnet motors
- Servomotors
- Washdown motors

Generators

- Generators for wind turbines
- Generators for diesel and gas engine power plants
- Generators for steam and gas turbine power plants
- Generators for marine applications
- Generators for industrial applications
- Generators for traction applications

Synchronous condensers

Mechanical power transmission components, bearings, gearings

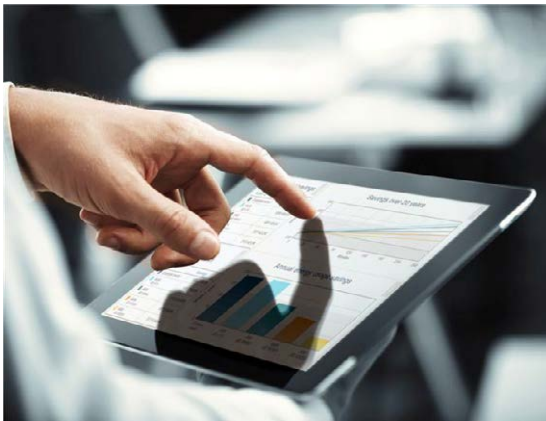
- Mounted bearings
- Enclosed gearing
- Couplings
- Conveyor components
- Geared motor units

Life cycle services and support

Life cycle services and support

From pre-purchase to migration and upgrades

ABB offers a complete portfolio of services to ensure trouble-free operation and long product lifetimes. These services cover the entire life cycle. Local support is provided through a global network of ABB service centers and certified partners.



Pre-purchase



ABB's front-end sales organization can help customers to quickly and efficiently select, configure and optimize the right motor for their application.

Installation and commissioning



Professional installation and commissioning by ABB's certified engineers represent an investment in availability and reliability over the entire life cycle.

Engineering and consulting



ABB's experts provide energy efficiency and reliability appraisals, advanced condition and performance assessments and technical studies.

Condition Monitoring and Diagnosis



Unique services provide early warnings before failures occur. Data can be collected by an engineer on-site or by remote monitoring. With the ABB Ability™ platform data can be transmitted to the cloud and accessed and analyzed remotely, allowing even greater insight into the health of the equipment. The services focus on the bearings, rotor winding, stator winding insulation and overall mechanical condition.

Maintenance and field services



ABB offers life cycle management plans and preventive maintenance products. The recommended four-level maintenance program covers the entire product lifetime.

Spare parts



Spare parts and support are offered throughout the life cycle of ABB products. In addition to individual spares, tailored spare part packages are also available.

Repair and refurbishment



Support for all ABB motors and other brands is provided by ABB's global service organization. Specialist teams can also deliver emergency support.

Migration and upgrades



Life cycle audits determine the optimum upgrades and migration paths. Upgrades range from individual components to direct replacement motors.

Training



Product and service training courses take a practical approach. The training ranges from standard courses to specially tailored programs to suit customer requirements.

Specialized support



Specialized support is offered through ABB's global service organization. Local units provide major and minor repairs as well as overhauls and reconditioning.

Service contracts



Service contracts are tailored to the customer's needs. The contracts combine ABB's entire service portfolio and 120 years of experience to deploy the optimal service practices.

Additional information

We reserve the right to make technical changes or modify the contents of this document without prior notice. With regard to purchase orders, the agreed particulars shall prevail. ABB does not accept any responsibility whatsoever for potential errors or possible lack of information in this document.

We reserve all rights in this document and in the subject matter and illustrations contained therein. Any reproduction, disclosure to third parties or utilization of its contents – in whole or in parts – is forbidden without prior written consent of ABB.



—

For more information and contact details:

new.abb.com/motors-generators

MachSize online selection tool

