

ELECON DOUBLE REDUCTION WORM GEAR BOX



ELECON 

ALWAYS A STEP AHEAD IN TECHNOLOGY

Input speed 1500 rpm

Ratio	Nominal output speed	Capacity	size of gear unit		
			21/4/40	21/4/50	3/60
75:1	20	Input hp	2.90	4.60	7.8
		Output torque daNm	82.62	132.6	229.5
150:1	10	Input hp	1.91	3.48	5.5
		Output torque daNm	94.86	181.56	290.7
250:1	6	Input hp	1.15	1.70	3.2
		Output torque daNm	112.2	144.84	279.48
500:1	3	Input hp	1.045	1.76	2.4
		Output torque daNm	137.292	289.68	387.6
750:1	2	Input hp	0.85	0.67	1.92
		Output torque daNm	168.3	130.56	367.2
1000:1	1.5	Input hp	0.65	0.91	1.45
		Output torque daNm	122.4	225.93	365.16
1500:1	1	Input hp	0.30	0.51	0.86
		Output torque daNm	87.72	171.36	353
2000:1	0.75	Input hp	0.47	0.69	0.84
		Output torque daNm	126.48	281.52	365.16
2500:1	0.60	Input hp	0.24	0.33	0.66
		Output torque daNm	122.706	161.16	273.36
3000:1	0.50	Input hp	0.29	0.54	0.60
		Output torque daNm	144.24	229.5	316.2
4200:1	0.36	Input hp	0.13	0.32	0.42
		Output torque daNm	89.76	238.68	258.06
4900:1	0.30	Input hp	0.11	0.21	0.34
		Output torque daNm	68.34	154.02	243.78

The Elecon double reduction worm gear box gives a minimum of 75:1 and a maximum of 4900:1 ratio to meet the requirement of slow moving machinery. It is available in under-driven, over-driven and vertical assembled conditions.

Input speed 1000 rpm

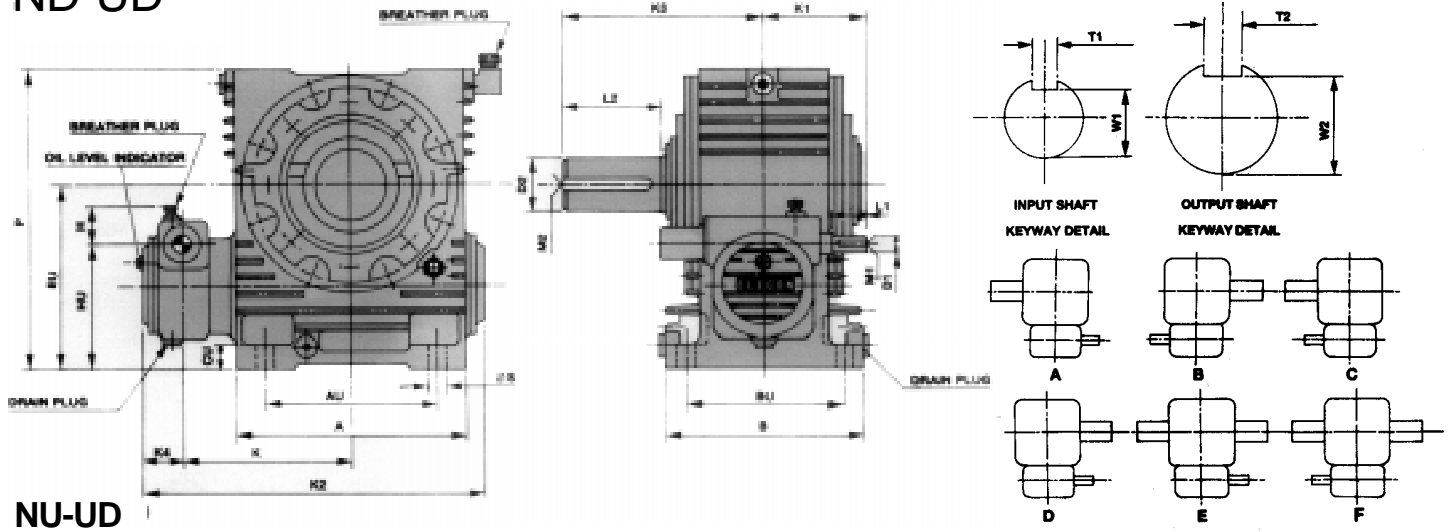
Ratio	Nominal output speed	Capacity	Size of gear unit		
			21/4/40	21/4/50	3/60
75:1	13.33	Input hp	2.2	3.52	5.63
		Output torque daNm	91.8	148.92	240.72
150:1	6.67	Input hp	1.44	2.60	4.14
		Output torque daNm	115.26	192.78	313.14
250:1	4	Input hp	0.80	1.38	2.32
		Output torque daNm	98.94	167.28	285.6
500:1	2	Input hp	0.61	1.30	1.66
		Output torque daNm	120.36	265.20	373.32
750:1	1.33	Input hp	0.52	0.82	1.30
		Output torque daNm	147.9	233.58	385.56
1000:1	1	Input hp	0.49	0.77	1.0
		Output torque daNm	171.36	275.4	372.3
1500:1	0.66	Input hp	0.25	0.58	0.70
		Output torque daNm	124.44	275.4	364.14
2000:1	0.50	Input hp	0.32	0.55	0.63
		Output torque daNm	186.66	321.3	395.76
2500:1	0.40	Input hp	0.20	0.49	0.45
		Output torque daNm	145.86	330.48	336.6
3000:1	0.33	Input hp	0.21	0.44	0.42
		Output torque daNm	167.28	350.88	362.1
4200:1	0.24	Input hp	0.12	0.28	0.27
		Output torque daNm	109.548	255.612	279.48
4900:1	0.20	Input hp	0.09	0.20	0.22
		Output torque daNm	91.8	196.86	240.72

Inout speed 750 rpm

Ratio	Nominal output speed	Capacity	size of gear unit		
			21/4/40	21/4/50	3/60
75:1	10	Input hp	1.80	3.00	4.70
		Output torque daNm	96.91	164.22	261.12
150:1	5	Input hp	1.18	2.11	3.45
		Output torque daNm	120.36	209.1	337.62
250:1	3	Input hp	0.85	1.2	1.77
		Output torque daNm	129.54	189.72	285.6
500:1	1.5	Input hp	0.64	1.04	1.3
		Output torque daNm	161.16	278.46	429.42
750:1	1	Input hp	0.580	0.70	1.125
		Output torque daNm	171.36	240.72	435.54
1000:1	0.75	Input hp	0.40	0.68	0.90
		Output torque daNm	175.44	318.24	437.58
1500:1	0.50	Input hp	0.28	0.50	0.60
		Output torque daNm	167.28	298.86	368.22
2000:1	0.37	Input hp	0.24	0.44	0.47
		Output torque daNm	170.34	323.34	371.28
2500:1	0.30	Input hp	0.19	0.35	0.45
		Output torque daNm	193.8	297.84	393.72
3000:1	0.25	Input hp	0.17	0.30	0.35
		Output torque daNm	164.22	289.68	358.02
4200:1	0.17	Input hp	0.13	0.20	0.31
		Output torque daNm	156.06	240.72	399.84
4900:1	0.15	Input hp	0.10	0.140	0.19
		Output torque daNm	117.3	170.34	277.44

The table shows the maximum uniform power and torque that may be transmitted continuously 12 hours per day, with normal over loads of 100% momentary, 40% for 30 minutes and 25% for 2 hours. The ratings given are based on a service factor 1.0 (1 daNm = 1.02 kgm).

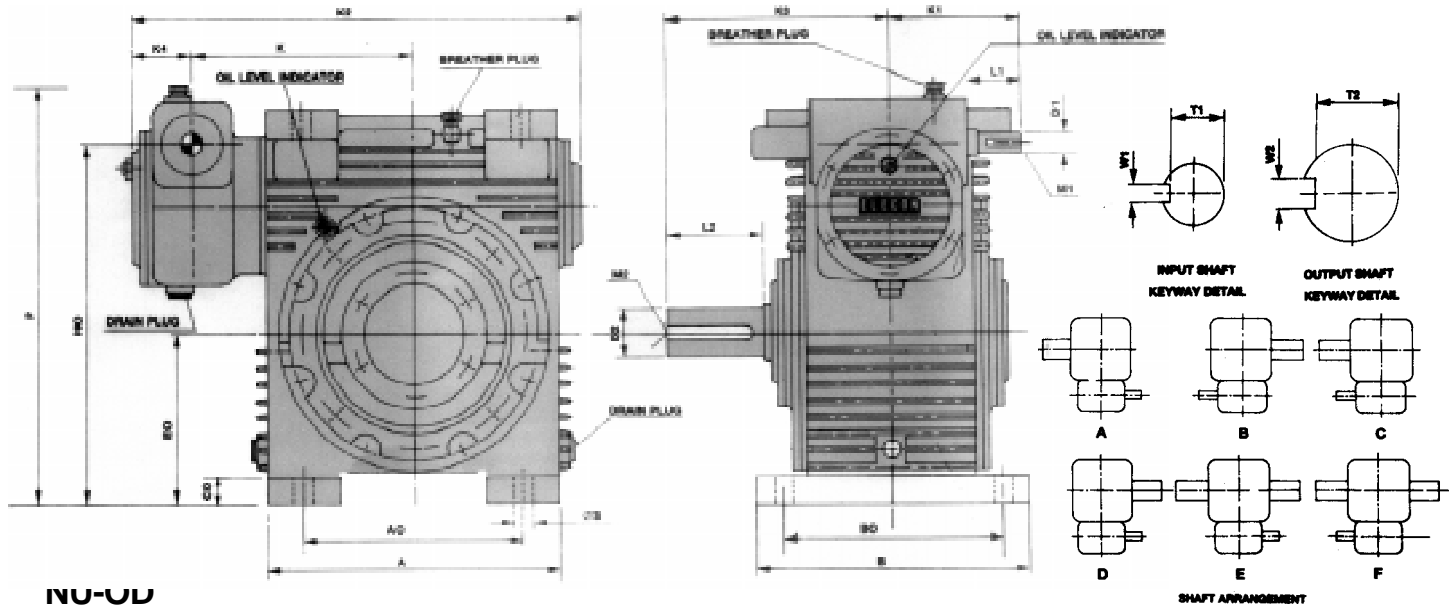
ND-UD



NU-UD

SIZE	A	AU	B	BU	CU	S	HU	H	EU	P	K	KI	K2
2 1/4/40 NU-UD	250	180	200	160	25	18	165.15	82	209.6	324.6	220.5	145	520
2 1/4/50 NU-UD	300	220	252	200	30	18	175.15	82	245	385	242.5	142	590
3/60 NU-UD	354	266	300	241	32	23	203.2	82	279.4	449.4	270.0	155	555

SIZE	K3	K4	D1	L1	M1	T1	W1	D2	L2	M2	T2	W2
2 1/4/40 NU-UD	215	75	22	50	-	18.5	6	45	90	M16	39.5	14
2 1/4/50 NU-UD	235	75	22	50	-	18.5	6	50	100	M16	44.5	14
3/60 NU-UD	274	80	25	50	M8	21	8	58	114	M20	52	16

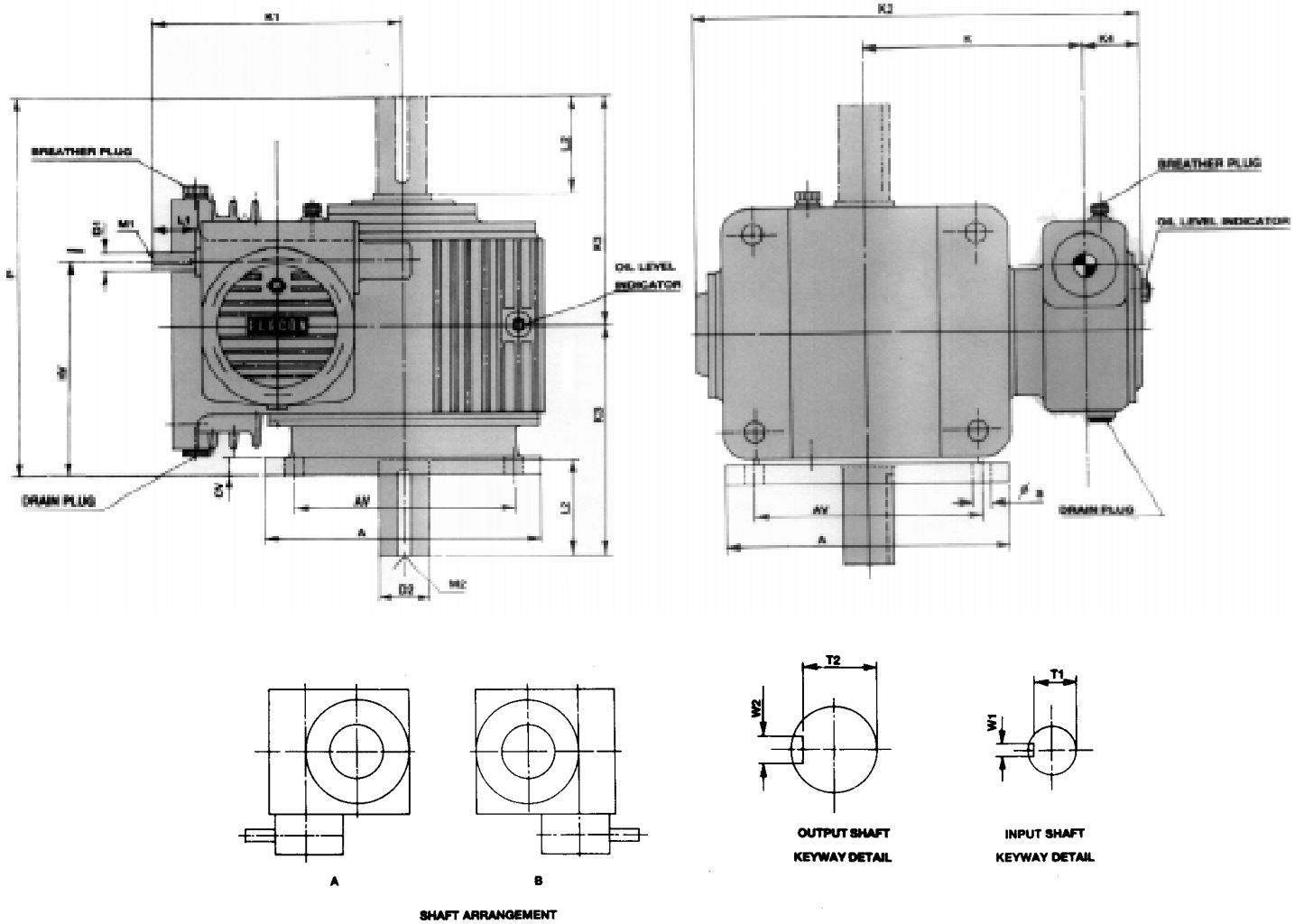


NU-OD

SIZE	A	AO	B	BO	CO	S	EO	HO	P	K	KI	K2
2 1/4/40 NU-OD	250	180	240	200	25	18	140	298.75	380	220.5	142	520
2 1/4/50 NU-OD	300	220	270	230	25	18	165	349.15	430	242.5	142	590
3/60 NU-OD	382	294	310	250	30	23	200	428.60	510	270	155	545

SIZE	K3	K4	D1	L1	M1	T1	W1	D2	L2	M2	T2	W2
2 1/4/40 NU-OD	215	75	22	50	-	18.5	6	45	90	M16	39.5	14
2 1/4/50 NU-OD	235	75	22	50	-	18.5	6	50	100	M16	44.5	14
3/60 NU-OD	274	80	25	50	M8	21	8	58	114	M20	52	16

NU-VD

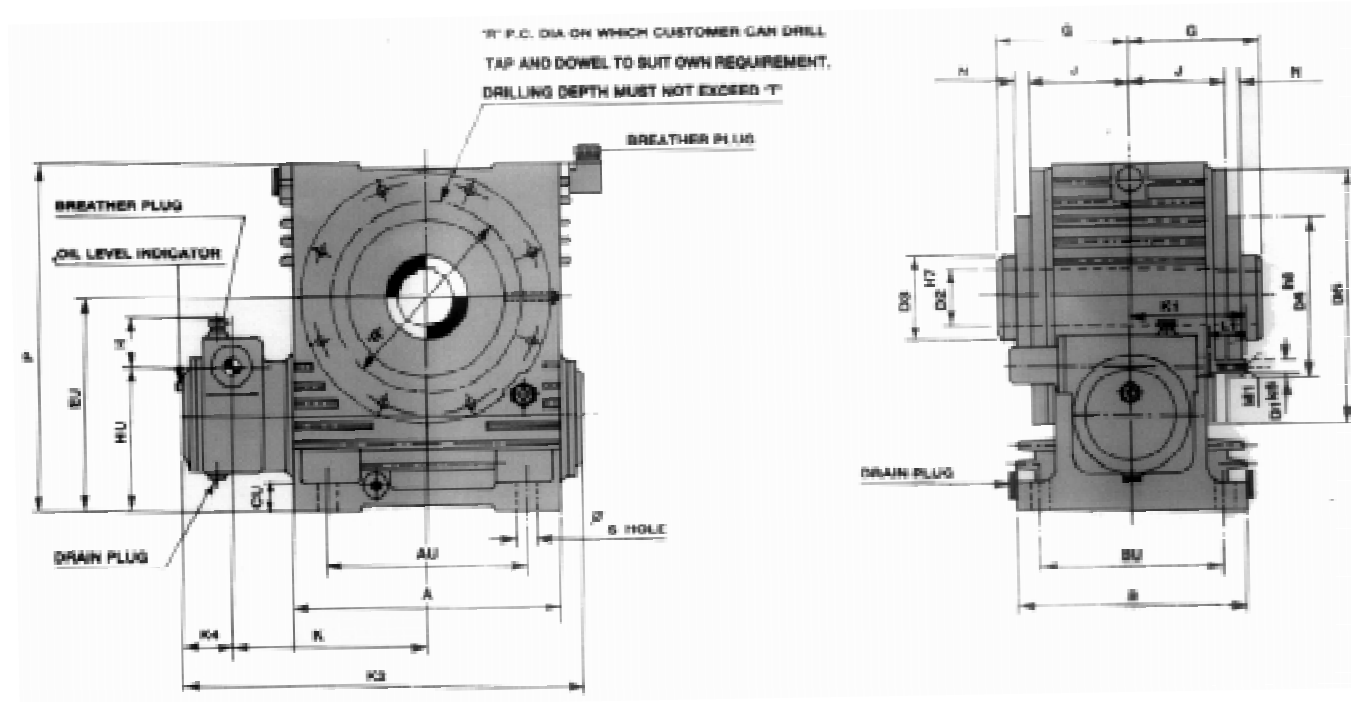


NU-VD

SIZE	A	AV	HV	CV	S	P	K	K1	K2	K3	K4
2 1/4/40 NU-VD	280	235	197.15	20	18	355	220.5	243.6	520	215	75
2 1/4/50 NU-VD	320	260	222.15	22	18	400	242.5	269	590	235	75
3/60 NU-VD	340	270	256.20	25	23	454	270	307.4	545	274	80

SIZE	D1	L1	M1	T1	W1	D2	L2	M2	T2	W2
2 1/4/40 NU-VD	22	50	-	18.5	6	45	90	M16	39.5	14
2 1/4/40 NU-VD	22	50	-	18.5	6	50	100	M16	44.5	14
3/60 NU-VD	25	50	M8	21	8	58	114	M20	52	16

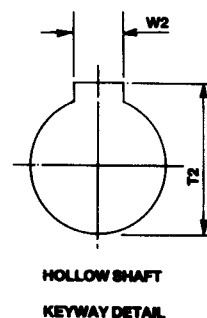
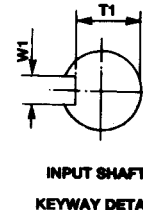
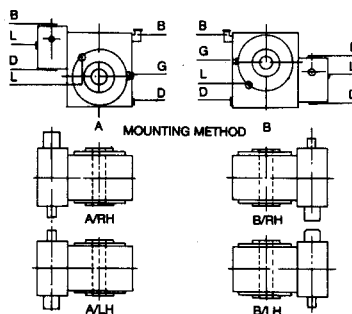
NU-SMD



"R" P.C. DIA. ON WHICH CUSTOMER CAN DRILL TAP AND DOWEL TO SUIT OWN REQUIREMENT. DRILLING DEPTH MUST NOT EXCEED "T"

NOTE:
KEYWAYS AS PER IS:2048
DIMENSION CERTIFIED FOR CONSTRUCTION

- B BREATHER PLUG
- L OIL LEVEL INDICATOR
- G GREASE NIPPLE
- D DRAIN PLUG

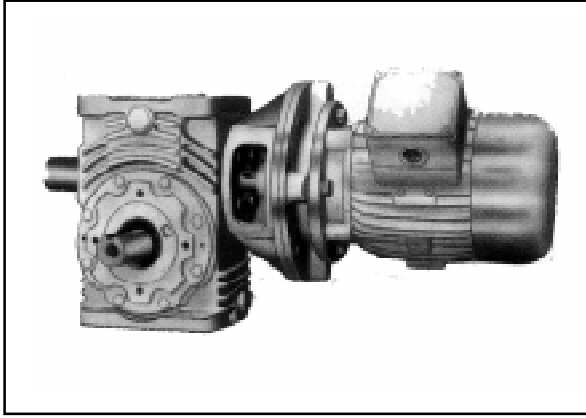


NU-SMD

SIZE	A	AU	B	BU	CU	S	HU	H	EU	P	K	K1	K2	K4
2 1/4/40 NU-SMD	250	180	200	160	25	18	165.15	82	209.6	324.6	220.5	142	520	75
2 1/4/50 NU-SMD	300	220	252	200	30	18	175.15	82	245	385	242.5	142	590	75
3/60 NU-SMD	354	266	300	241	32	23	203.2	82	279.4	449.4	270	155	545	80

SIZE	G	J	N	D1	L1	M1	T1	W1	D2	T2	W2	D3	D4	D5
2 1/4/40 NU-SMD	115	95	6	22	50	-	18.5	6	65	69.4	18	95	146	222
2 1/4/50 NU-SMD	145	115	15	22	50	-	18.5	6	70	75.1	20	105	195	272
3/60 NU-SMD	165	132	20	25	50	M8	21	8	75	80.1	20	105	205	330

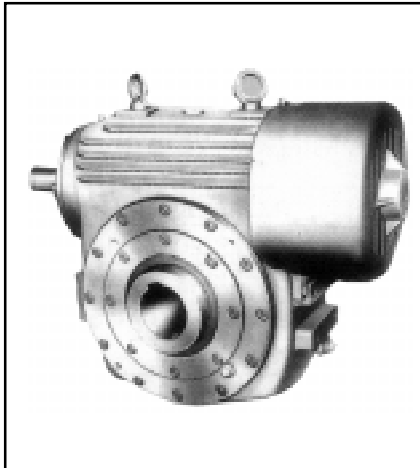
Elecon range of products



WORM GEARED MOTOR



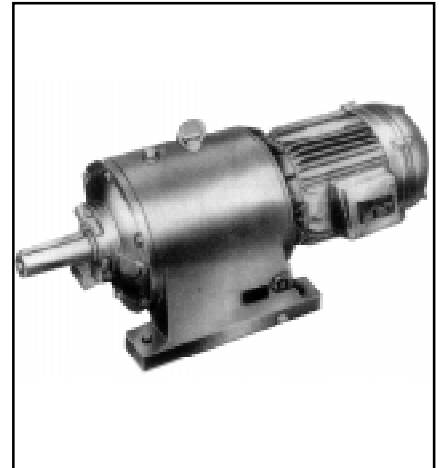
FLUID - GEARED - FLEXIBLE COUPLINGS



SMM - GEAR UNIT



CVM - AGITATOR TYPE GEAR UNIT



GEARED MOTOR

Manufactured by :

ELECON ENGINEERING CO. LTD.

POST BOX # 6, VALLABH VIDYANAGAR 388 120, GUJARAT, INDIA Tel. : +91 (2692) 36513, 32890 - Fax : + 91 (2692) 36527

E-mail : gear.gpro@gnahd-gear.global.net.in.

Web Site : <http://www.Elecon.co.in>

ALWAYS A STEP AHEAD IN TECHNOLOGY