

www.pbl.co.in

radicon
POWERBUILD

UNLEASHING

POWER

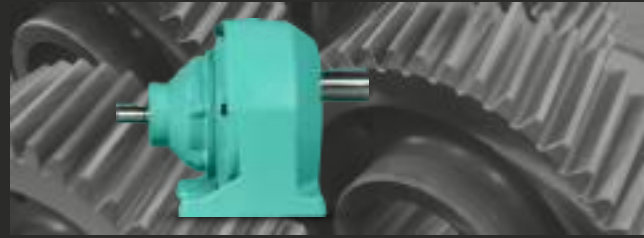
UNLOCKING
VALUE



Super "A" Series
Speed Reducers

With Japanese Technology

**INLINE FOOT MOUNTED
GEAR REDUCER**



**INLINE FLANGE MOUNTED
GEAR REDUCER**



**FOOT MOUNTED
GEAR REDUCER**



**FLANGE MOUNTED
GEAR REDUCER**



**FOOT MOUNTED
GEARED MOTOR**



**FLANGE MOUNTED
GEARED MOTOR**



**FOOT MOUNTED INTEGRAL
GEARED MOTOR**



Company Profile

Leaders in Power Transmission Solutions and packed with intensive research, Power Build's geared motors have strongly positioned itself amongst the best products available in the country today.

The flag ship company considered to be the pioneer in manufacturing of geared motors in India, was established in the year 1972, at Vallabh Vidyanagar, Gujarat. Committed workforce supported by ultra modern facilities and backed up by the latest generation technological developments, has set the company on the track of rapid growth path. As a result the company has today made its presence felt at all the major core sectors.

The company got certified for successfully implementing ISO 9001-2000 quality standards in the year 2006 and subsequently got certified for implementing ISO 9001-2008 standards in March 2009. With this certification PBPL became the first hard core engineering company in western India to get this honour.

Initially PBPL started building the geared motors using the German technology and later on also incorporated technology from Japan for extending the product range. Quick adaptation to innovative technology has been the key to success for the company. The products of the company are built with the most modern methodology called "Kit Concept" and are dimensionally interchangeable with other major brands.



Facilities



Power Build Pvt Ltd. has ultra modern manufacturing facilities equipped with the latest state-of-the-art machine tools and quality control & testing equipment, supported by a committed workforce backed up by the latest generation technological developments, for the production of reliable power transmission equipment.

Powerful, parametric 3D design capabilities allow superior product differentiation and manufacturability. The product range takes advantage of many years of accumulated design expertise, together with the use of high quality materials and components. The end result is a series of speed reducers and geared motors offering high load carrying capacity, high efficiency, quiet running and reliability.

SKK - Japanese Technology for Geared Motors and Gear reducers in INDIA

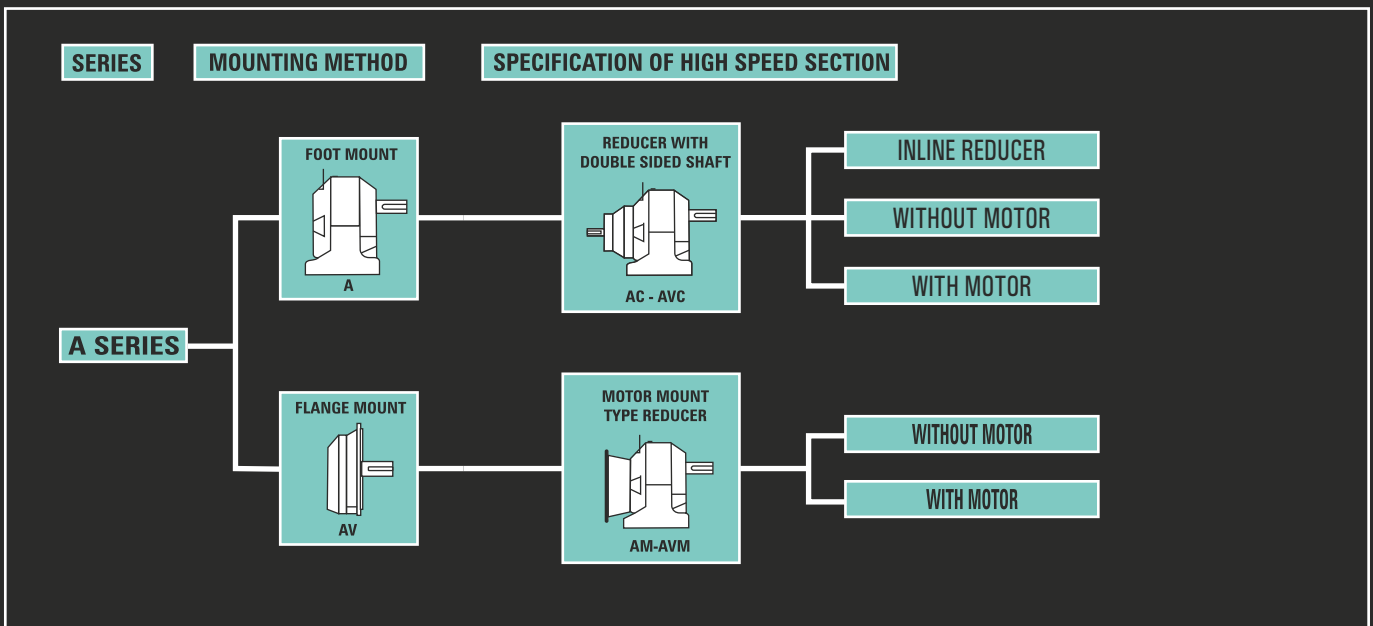
“SUPER A” SERIES HELICAL GEARED MOTOR



PBPL also manufactures state-of-the-art Helical Geared Motors, Motor Mount Reducers and Inline Gear Reducers with solid and hollow input shafts, under the license agreement with a renowned Japanese manufacturer Seiki Kogyosho Limited (SKK) (now taken over by Sumitomo Heavy Industries). Foot/flange mounted Geared Motors, solid input shaft inline Gear Reducers and Motor Mount Reducers with Hollow Input Shaft are available in the range of **0.12 kw to 11.0 kw and having ratio from 5:1 to 200:1**. The units are suitable to accommodate “IEC” frame 3-phase, AC induction motors.

SALIENT FEATURES:

- Stylish Design
- Compact & Light Weight
- Reduction in Mounting dimensions
- Low Noise & Vibration
- Simple to assemble & dismantle
- Each unit tested under air pressure to ensure leakproofness
- Factory filled long lasting EP grease as lubricant.
- Grease packed Bearings



MOUNTING METHOD : NO RESTRICTION. CAN BE MOUNTED IN ANY POSITION.

Capacity (KW)

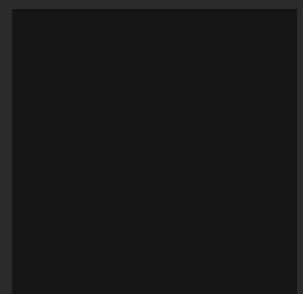
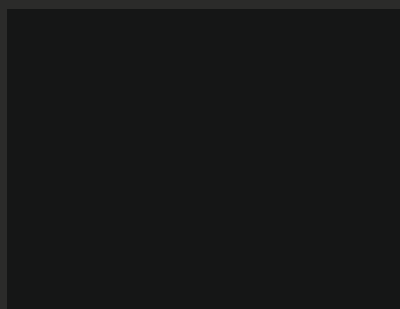
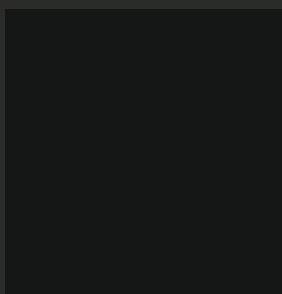
Standard Ratio

Configuration	0.4	1/5	1/10	1/15	1/20	1/25	1/30	1/45	1/50	1/60	1/75	1/100	1/130	1/150	1/200
															
															
															
AC - AVC	0.4	1/5	1/10	1/15	1/20	1/25	1/30	1/45	1/50	1/60	1/75	1/100	1/130	1/150	1/200
AM - AVM	0.75	1/5	1/10	1/15	1/20	1/25	1/30	1/45	1/50	1/60	1/75	1/100	1/130	1/150	1/200
AT - AVT	1.1	1/5	1/10	1/15	1/20	1/25	1/30	1/45	1/50	1/60	1/75	1/100	1/130	1/150	1/200
	1.5	1/5	1/10	1/15	1/20	1/25	1/30	1/45	1/50	1/60	1/75	1/100	1/130	1/150	1/200
	2.2	1/5	1/10	1/15	1/20	1/25	1/30	1/45	1/50	1/60	1/75	1/100	1/130	1/150	1/200
	3.7	1/5	1/10	1/15	1/20	1/25	1/30	1/45	1/50	1/60	1/75	1/100	1/130	1/150	1/200
	5.5	1/5	1/10	1/15	1/20	1/25	1/30	1/45	1/50	1/60	1/75	1/100			
	7.5	1/5	1/10	1/15	1/20	1/25	1/30	1/45	1/50	1/60					
	11	1/5	1/10	1/15	1/20										

NOT AVAILABLE IN FLANGE MOUNTING (AV)

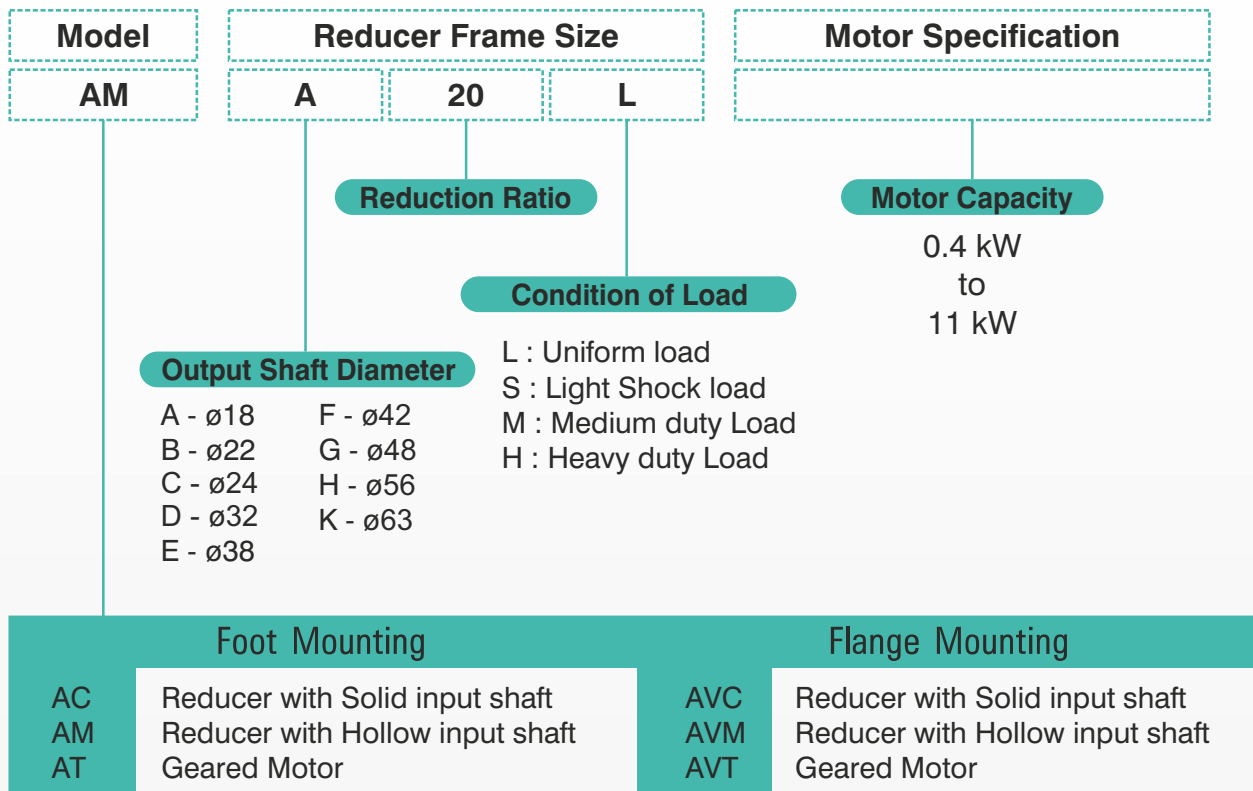
Note : * 0.12 kW to 0.4 kW are available in 71 Motor Frame size.

* 35:1 Ratio & Other ratio refer PBPL.



Example for Selection Symbol

■ A Series Type Symbol

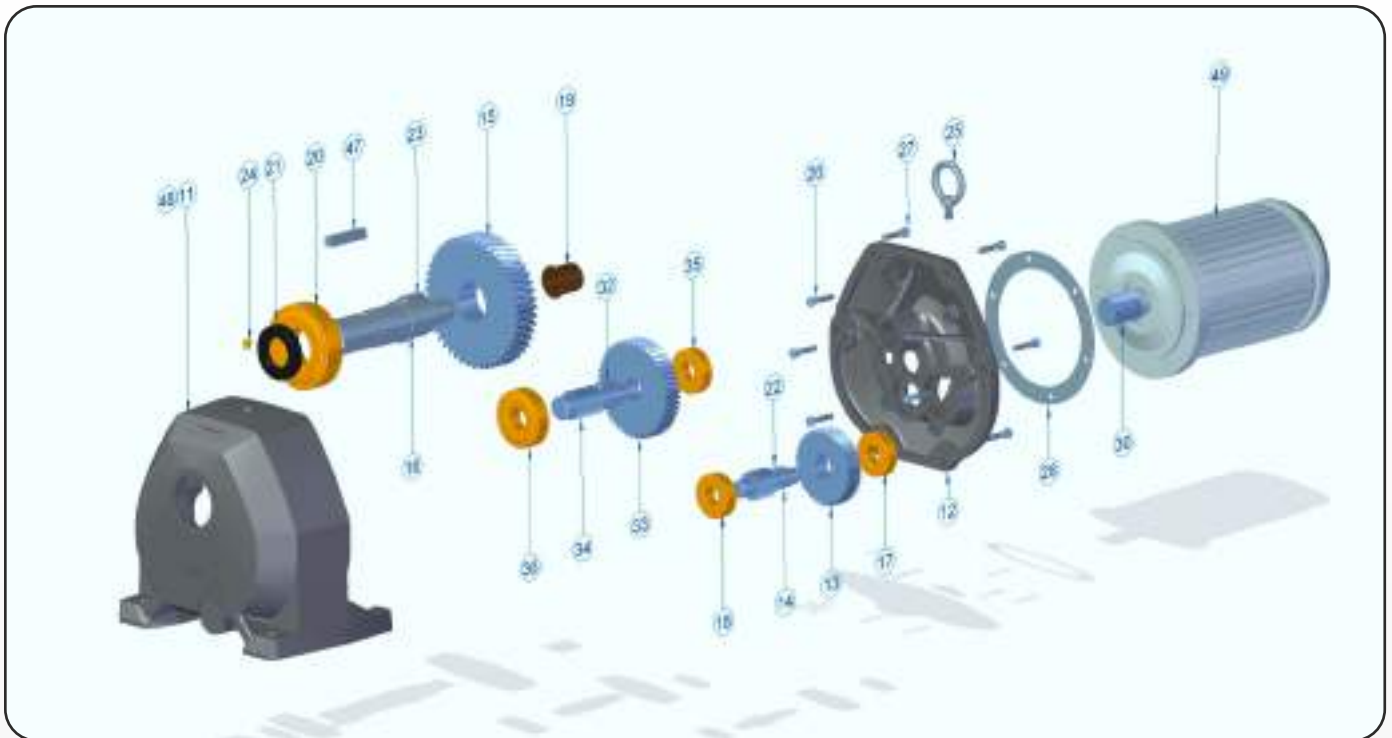


■ A Series Classes

For A Series geared motors, four classes are available for various loads, allowing you to easily select the best model for specific use conditions.

Note : This classification is just for a guide.

RADICON POWERBUILD ARRANGEMENT DRAWING - GEARED MOTOR



ITEM NO.	DENOMINATION	ITEM NO.	DENOMINATION	ITEM NO.	DENOMINATION	ITEM NO.	DENOMINATION
11	GEAR CASE-FOOT	18	BEARING 2nd	25	EYE BOLT	33	3rd GEAR
12	H S RING		PINION (L)	26	BOLT - MOTOR	34	3rd PINION
13	1st GEAR	19	BEARING L S SHAFT (H)	27	BOLT - H S RING	35	BEARING 3rd PINION (H)
14	2nd PINION	20	BEARING L S SHAFT (L)	28	GASKET - H S RING	36	BEARING 3rd PINION (L)
15	2nd GEAR	21	OIL SEAL - L S SHAFT	30	INPUT PINION - (FIRST)	47	KEY - OUTPUT SHAFT
16	L S SHAFT	22	KEY - 1ST GEAR	32	KEY - 3 RD GEAR	48	GEAR CASE - FLANGE
17	BEARING 2nd PINION (H)	23	KEY - 2 ND GEAR			49	INTEGRAL MOTOR
		24	OIL INLET PLUG				

Super 'A' Series

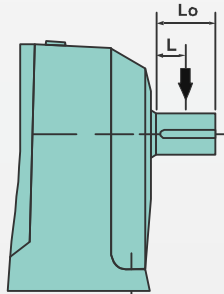
Geared Motor Standard Specifications

Gear	
Item	Standard Specifications
Lubrication Method	Grease lubrication, EP grease NLGI000 (factory filled)
Speed Reduction Method	Circumscribed gear type with helical gears (2 to 3 reduction gears)
Casing Material	A Series, Frame size A to C : Aluminum alloy, Frame size D to K : Cast iron

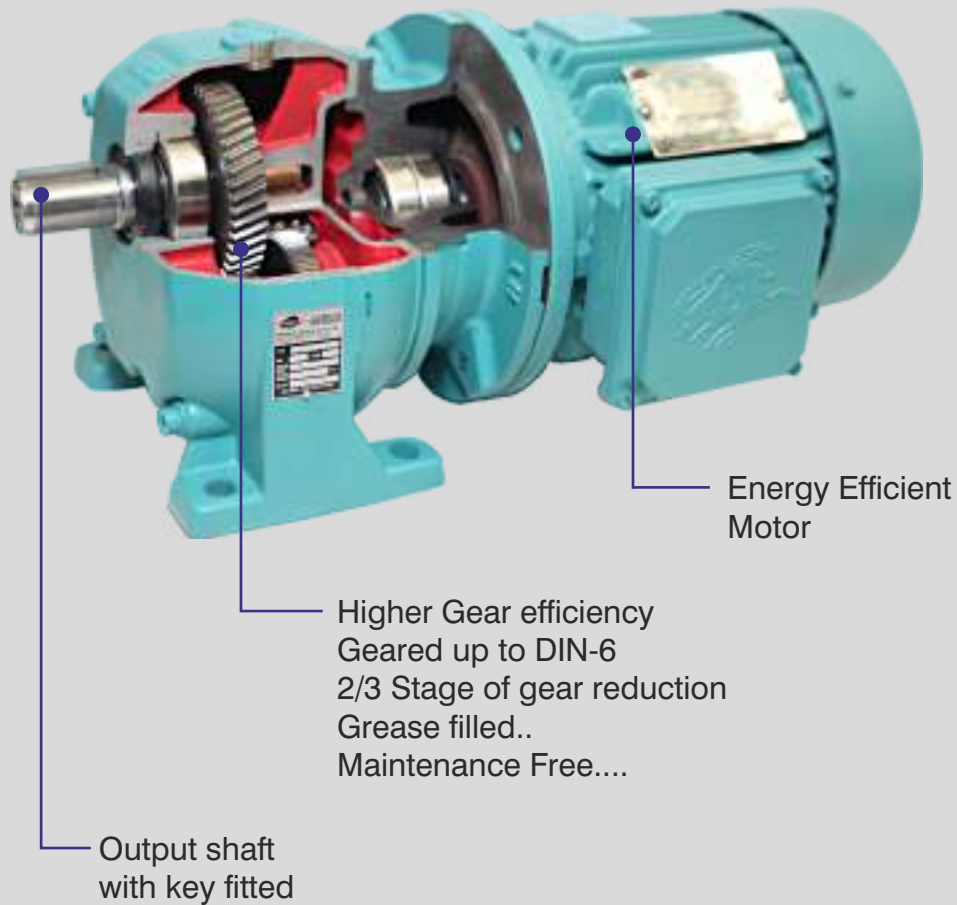
Tips on Installation		
Item	Standard Specifications	
Ambient Conditions	Installation Location	Indoors (minimal dust and humidity)
	Ambient Temperature	-20° to 60°C
	Ambient Humidity	Below 100% (for the units with single - phase motor or brake motor under 85%)
	Altitude	Below 1,000 meters
	Atmosphere	Well ventilated location, free of corrosive gases, explosive gases, vapors, and dust.
Installation Angle	No Limit (can be Installed at any Position)	
Painting	Acrylic Alkyd	

■ Selection :

For the correct selection and the efficient use of A Series reducer, please review the following.

Selection Procedure																	
1. Determination of Ratio	Calculate the reduction ratio from required output speed. Please refer the characteristics table on Page 11-17 to determine ratio for reducer. (Slip of motor is not considered.)																
2. Calculation of torque	Calculate the torque required by a driven machine. Calculate the maximum torque in case there is fluctuation.																
3. Selection of frame	<div style="display: flex; justify-content: space-between;"> <div style="width: 45%;"> <p>For motormount : Referring to the column of required ratio in the characteristic table on Page 11-17, select a frame which meets the requirement of torque in the two formulas below.</p> <p>formula (1) $T_E \leq T_A$ formula (2) $T_E \times sf \leq T_A \times sfG$</p> </div> <div style="width: 45%;"> <p>For reducer : Referring to the column of required ratio in the characteristic table on Page 18-19, select a frame which meets the following formula.</p> <p>formula (1) $T_E \times sf \leq T_G$</p> </div> </div> <div style="border: 1px dashed black; padding: 5px; margin-top: 10px; text-align: center;"> <p>T_E = actual torque of load (torque required by driven machine) T_A = output torque (max. driven torque) sf = service factor (load factor for operating condition, table 1) sfG = service factor of gearing for torque T_A T_G = permissible output torque of reducer</p> </div> <p style="text-align: center; margin-top: 10px;">Table 1. Service factor</p> <table border="1" style="width: 100%; text-align: center;"> <thead> <tr> <th>load\operating hour</th> <th>less than 3 hrs./day</th> <th>3 - 10 hrs./day</th> <th>more than 10 hrs./day</th> </tr> </thead> <tbody> <tr> <td>uniform load</td> <td>1.00</td> <td>1.00</td> <td>1.25</td> </tr> <tr> <td>medium shock load</td> <td>1.00</td> <td>1.25</td> <td>1.50</td> </tr> <tr> <td>heavy shock load</td> <td>1.50</td> <td>1.75</td> <td>2.00</td> </tr> </tbody> </table>	load\operating hour	less than 3 hrs./day	3 - 10 hrs./day	more than 10 hrs./day	uniform load	1.00	1.00	1.25	medium shock load	1.00	1.25	1.50	heavy shock load	1.50	1.75	2.00
load\operating hour	less than 3 hrs./day	3 - 10 hrs./day	more than 10 hrs./day														
uniform load	1.00	1.00	1.25														
medium shock load	1.00	1.25	1.50														
heavy shock load	1.50	1.75	2.00														
4. Calculation of overhung load (O.H.L.)	<p>In case radial load is applied to the input/output shaft (high speed/low speed shaft), please make sure that it is within the limit of allowable overhung load. (Please refer to the characteristics tables on Page 11-19).</p> <div style="border: 1px solid black; padding: 10px; margin: 10px 0; text-align: center;"> $O.H.L. = \frac{2000 \times T_E \times sf}{D} \times \frac{C_f}{L_f}$ </div> <p> T_E = actual torque of load sf = service factor (Refer to Table 1) D = pitch circle diameter of chain sprocket wheel, pulley, etc. (mm) C_f = load connection factor (Refer to Table 2) L_f = load location factor (Refer to Table 3) </p> <div style="display: flex; justify-content: space-between; margin-top: 10px;"> <div style="width: 45%;"> <p>Table 2 : C_f : Load connection factor</p> <table border="1" style="width: 100%; text-align: center;"> <thead> <tr> <th>simplex chain</th> <th>duplex chain</th> <th>gear</th> <th>V-belt</th> </tr> </thead> <tbody> <tr> <td>1.00</td> <td>1.25</td> <td>1.25</td> <td>1.50</td> </tr> </tbody> </table> </div> <div style="width: 45%;"> <p>Table 3 : L_f : Load location factor</p> <table border="1" style="width: 100%; text-align: center;"> <thead> <tr> <th>0.3 L_o</th> <th>0.5 L_o</th> <th>0.7 L_o</th> <th>0.9 L_o</th> </tr> </thead> <tbody> <tr> <td>1.10</td> <td>1.00</td> <td>0.83</td> <td>0.70</td> </tr> </tbody> </table> </div> </div> <div style="text-align: right; margin-top: 10px;">  </div> <p style="margin-top: 10px;">Note : In case chain sprocket wheel or gear is mounted on the shaft, the point of load application shall be as close as the side of shaft shoulder.</p>	simplex chain	duplex chain	gear	V-belt	1.00	1.25	1.25	1.50	0.3 L_o	0.5 L_o	0.7 L_o	0.9 L_o	1.10	1.00	0.83	0.70
simplex chain	duplex chain	gear	V-belt														
1.00	1.25	1.25	1.50														
0.3 L_o	0.5 L_o	0.7 L_o	0.9 L_o														
1.10	1.00	0.83	0.70														
5. NOTE	For large GD^2 value or application involving frequent start-stop please refer to PBL for the selection of reducer.																

Geared Motor Sectional View



High-Quality Gearing (Infinite Life Design)

PBPL continually invests in state-of-the-art gear production equipment and in gear research. This allows us to produce exceptionally high quality gears.

Benefits

- Designed and manufactured up to DIN CLASS 6
- Infinite design life
- Case-hardened steel
- Exceptional hardness : 60 HRC
- High-speed gears are ground
- Capable to take 275% static load
- Low Noise
- Maintenance Free

To start with, check the following points to see,

- The items indicated on the nameplates are in conformance with your requirements.
- There is no damage with the units due to humidity or dirt accumulated in transit.
- Operating conditions of driven machine (load, frequency of start/stops and degree of shock) please do not differ from the ones indicated at the time of the order.
- Please contact PBPL if required.

Transportation

- For the type of geared motor / reducer whose weight is more than 20 kg, an eyebolt or a lifting hook is fixed. Please use it for removing from the packing. Please note that an eye bolt or a hanging hook is only for lifting a geared motor / reducer, therefore, do not use it when the unit is assembled with the driven machine, etc.

Storage

If geared motors / reducers have to be stored or is not in operation for more than 3 months, please follow the procedures given below.

1. In case geared motors / reducers are to be stored in packing for a long period of time,
 - a) Geared motors / reducers have to be stored in indoor, clean and dry place where there is no vibration and much change in temperature.
 - b) Rotate shaft by hand every 3 months to prevent bearing from rusting and confirm that shaft rotates smoothly and there is no abnormality.
2. In case geared motors / reducers are stored after installation with machine for a long period of time (over 6 months in general condition, over 3 months in hot and humid place.)
 - a) If geared motors / reducers are exposed to high humidity or if there is possibility to enter water or foreign articles in the units, cover geared motors / reducers with poly ethylene sheet, put desiccant inside and seal. Please replace desiccant with new one periodically.
 - b) Please run geared motors / reducers for about 5 minutes for every 3 months to prevent bearing from rusting.
 - c) Before operation, check the insulation resistance and carry out the inspection of bearing and the connection to power supply source, etc. to see that there is no abnormality.

General Warnings & Cautions

Special Conditions

If special environmental or other conditions exist in transit, storage or operation these need to be considered in the unit selection. Special conditions may include (but are not limited to):

- Exposure to aggressive corrosive materials (contaminated air, gasses, acids, bases, salts, etc.)
- Very high relative humidity
- Direct contact between the motor and liquid
- Material build-up on the gear unit or motor (dirt, dust, sand, etc.)
- High atmospheric pressure
- Radiation
- Extreme temperatures, high, low or large temperature changes
- High vibration, acceleration, shocks or impacts
- Other abnormal conditions

Gear Reducer Ratings

The permissible continuous power limit of gear reducers is limited by the mechanical rating. The mechanical rating depends upon the material strength of the gear reducer's gears, bearings, housing, shafts, etc. The mechanical input power limit to the reducer is also a function of the mechanical power rating divided by the relevant reducer service factor.

The thermal rating or thermal limit depends upon the amount heat generated within the reducer and is influenced by a variety of factors including:

- Churning or splashing losses in the lubricant which depend upon reducer type, ratio, input style, mounting position or oil fill-level, and the circumferential travel velocities of the gear wheels.
- The actual speed and load conditions. These factors determine load-dependent losses in the gear areas and frictional losses in the gear, bearing & seal areas.
- Ambient Conditions:
 - Ambient Temperature.
 - Amount of free air circulation around the drive.
 - Possible near-by heat sources.
 - Heat dissipation or the ability of the reducer to transfer heat through the housing, shafts, and the mating sub-structure or mounting surface.



GENERAL WARNINGS & CAUTIONS



Applications with risk of personal injury should be reviewed together with PBPL. Examples of these are hoist, lifts or other applications where people may be at risk.

Dangers of Reducer Overheating

The following problems may result when the reducer's thermal capacity or maximum oil sump temperatures are exceeded:

- Lubrication oxidation, breakdown & deterioration.
- A decrease in lubrication viscosity & film thickness.
- Loss of critical bearing and gear clearances required for proper lubrication.
- Increased contact pressures and increased operating temperatures in the critical load zones of the gearing and bearings.
- An increased possibility for metal-to-metal contact and premature component wear.
- A significant reduction in the lubricant's ability to prevent scuffing, pitting, and in extreme cases galling or welding.

Measures to Expand the Application Range

There are a variety of measures that may be taken in order to protect against thermal overload and expand the application range of the gear reducer.

- Recommending a change in lubrication viscosity and/or a specific synthetic lubricant type.
- Applying high-temperature seals.
- Increasing air flow around the gear unit.
- Shielding or protecting the reducer from high heat sources.
- Considering an integral motor instead of the bolt-on input assembly covers. In many cases the motor fan will substantially increase air-flow around the gear unit.



IMPORTANT NOTE



Use caution when specifying gear reducers for high temperature service. If there is concern about exceeding the allowable safe operating temperatures, please consult POWER BUILD PVT LTD to discuss alternatives.

Note :

- In case geared motors with brake is installed vertically, the allowable frequency of braking and the life of lining will be reduced.
- g) Cautions for installation of foot mount type
 - a) Care must be exercised to ensure that installation is always performed on a reliable machined foundation.
 - b) Avoid uneven clamping when you lock the unit on the bed.
- h) Cautions for installation of flange mount type.
 - a) Care must be exercised to ensure that installation is always performed on a reliable machined face.
 - b) After the geared motor has been positioned by means of the spigot joint of the bracket, tight it firmly.
 - c) Connect the low-speed shaft (output shaft) and the driven shaft by means of a “flexible coupling” or any such similar means.
 - d) When radial load and thrust load are applied to geared motor, install driven shaft block on the machine in which bearings are fixed to absorb the load adequately.
- i) Cautions for installation of motor on motor mount reducers :
 - a) Clean the motor face and rotor shaft thoroughly.
 - b) Apply lubricant on the diameter of rotor shaft to ensure free insertion.
 - c) Tolerance limit of coupling / sprocket / gear - neighbourhood of h6M6~h6P6.

Paint Coatings

PBPL's standard paint has excellent appearance and outstanding physical properties. It is suitable for both indoor and outdoor applications.

Advantages :

- Excellent adhesion to cast iron, aluminum, steel and plastic
- Excellent corrosion resistance
- Excellent chemical resistance
- Excellent gloss and color retention
- Suitable for indoor and outdoor exposure
- Nonporous and excellent abrasion resistance

Lubrication

“A-SERIES” geared motors and reducers are grease lubricated and filled with grease before delivery. For the general condition of use, it is not necessary to replace grease. However, it is recommended to replace with new one after 20,000 hours of operation (about 4-5 year) as it will extend the life of the unit.

Table 2. Quantity of grease

Type AT, AC and AM. - FOOT MOUNTED									
Double Reduction (1/5 ~ 1/35)									
Reducer Frame No.	A	B	C	D	E	F	G	H	K
Qty. of grease (kg)	0.14	0.23	0.28	0.42	0.85	1.1	1.9	2.6	3.8
Triple Reduction (1/45 ~ 1/200)									
Reducer Frame No.	-	B	C	D	E	F	G	H	K
Qty. of grease (kg)	-	0.28	0.32	0.51	0.95	1.4	2.3	3.2	4.6

Type AVT, AVC and AVM. - FLANGE MOUNTED							
Double Reduction (1/5 ~ 1/35)							
Reducer Frame No.	A	B	C	D	E	F	G
Qty. of grease (kg)	0.12	0.19	0.37	0.75	1.0	1.0	1.7
Triple Reduction (1/45 ~ 1/200)							
Reducer Frame No.	-	B	C	D	E	F	G
Qty. of grease (kg)	-	0.23	0.32	0.46	0.85	1.3	2.1

Type of grease : “OKS Make LONG LIFE NLGI 000” universal EP grease. In case of using grease made by other manufactures or equivalent, please refer to PBPL.

Food-Grade Lubricants

Unit can be supplied with a food grade grease.

Characteristic Table

Nominal Ratio	Output RPM (50Hz)	No.of Reduction Stage	Motor Capacity 4Pole	Class	Frame	Actual Ratio (1R)	Output Torque (TA)		Allowable O.H.L. on Output Shaft
							50Hz		50Hz
							Nm	sfg	N
5	300	2	0.4 KW	L	A5L	4.983	12.07	1.55	1180
				S	B5S	4.900	11.87	1.55	1320
				M	B5M	5.113	12.38	2.83	1320
				H	C5H	5.048	12.22	2.85	1860
			0.55 KW	L	B5L	5.113	17.02	2.06	1320
				S	C5S	5.048	16.81	2.07	1860
				M	C5M	4.859	16.18	3.68	1860
				H	D5H	4.994	16.63	3.82	3190
			0.75 KW	L	B5L	5.113	23.22	1.51	1320
				S	C5S	5.048	22.92	1.52	1860
				M	C5M	4.859	22.06	2.70	1860
				H	D5H	4.994	22.68	2.80	3190
			1.1 KW	L	C5L	4.859	32.36	1.84	1860
				S	D5S	4.994	33.26	1.91	3190
				M	D5M	5.141	34.24	2.64	3190
				H	E5H	4.848	32.29	2.64	3480
			1.5 KW	L	C5L	4.859	44.13	1.35	1860
				S	D5S	4.994	45.35	1.40	3190
				M	D5M	5.141	46.69	1.94	3190
				H	E5H	4.848	44.03	1.94	3480
			2.2 KW	L	D5L	5.141	68.47	1.32	3190
				S	E5S	4.848	64.57	1.32	3480
				M	E5M	4.949	65.92	2.22	3480
				H	F5H	5.023	66.90	2.23	3480
3.7 KW	L	E5L	4.949	110.86	1.32	3480			
	S	F5S	5.023	112.52	1.33	3480			
5.5 KW	S	F5S	5.065	168.65	1.32	2650			
	M	G5M	5.054	168.28	1.80	3820			
	H	H5H	4.952	164.89	2.62	2840			
7.5 KW	S	G5S	5.054	229.48	1.32	3820			
	M	H5M	4.952	224.85	1.92	2840			
11 KW	S	H5S	4.952	329.78	1.31	2840			
10	150	2	0.4 KW	L	A10L	9.893	23.96	1.33	1520
				S	B10S	10.316	24.98	1.34	1860
				M	B10M	9.881	23.93	2.65	1520
				H	C10H	9.800	23.73	2.85	2600
			0.55 KW	L	B10L	9.881	32.90	1.92	1520
				S	C10S	9.800	32.63	2.07	2600
				M	C10M	9.802	32.64	3.82	3140
				H	D10H	9.719	32.36	3.82	3720
			0.75 KW	L	B10L	9.881	44.87	1.41	1520
				S	C10S	9.800	44.50	1.52	2600
				M	C10M	9.802	44.51	2.80	3140
				H	D10H	9.719	44.13	2.80	3720
			1.1 KW	L	C10L	9.802	65.28	1.91	3140
				S	D10S	9.719	64.72	1.91	3730
				M	D10M	9.761	65.00	2.64	3720
				H	E10H	10.287	68.51	2.64	5540
			1.5 KW	L	C10L	9.802	89.01	1.40	3140
				S	D10S	9.719	88.26	1.40	3720
				M	D10M	9.761	88.64	1.94	3720
				H	E10H	10.287	93.42	1.94	5540
			2.2 KW	L	D10L	9.761	130.01	1.32	3720
				S	E10S	10.287	137.01	1.32	5540
				M	E10M	10.107	134.61	2.22	5820
				H	F10H	9.852	131.22	2.22	5820
			3.7 KW	L	E10L	10.107	226.40	1.32	5820
				S	F10S	9.852	220.68	1.32	5820
			5.5 KW	S	F10S	9.692	322.72	1.32	6080
				M	G10M	9.988	332.57	1.80	8780
				H	H10H	9.905	329.81	2.64	7350
			7.5 KW	S	G10S	9.988	453.51	1.32	8780
				M	H10M	9.905	449.74	1.94	7350
			11 KW	S	H10S	9.905	659.62	1.32	7350

Note : 0.12 kW to 0.4 kW are available in 71 Motor Frame size.

Characteristic Table

Nominal Ratio	Output RPM (50Hz)	No.of Reduction Stage	Motor Capacity 4Pole	Class	Frame	Actual Ratio (1R)	Output Torque (TA)		Allowable O.H.L. on Output Shaft
							50Hz		50Hz
							Nm	sfg	N
15	100	2	0.4 KW	L	A15L	15.147	36.68	1.18	1570
				S	B15S	15.273	36.99	1.24	2060
				M	B15M	15.595	37.77	2.19	1620
				H	C15H	14.552	35.24	2.85	2790
			0.55 KW	L	B15L	15.595	51.93	1.60	1620
				S	C15S	14.552	48.45	2.07	2790
				M	C15M	15.364	51.16	3.64	3430
				H	D15H	15.034	50.06	3.83	4070
			0.75 KW	L	B15L	15.595	70.81	1.17	1620
				S	C15S	14.552	66.07	1.52	2790
				M	C15M	15.364	69.76	2.67	3430
				H	D15H	15.034	68.26	2.81	4070
			1.1 KW	L	C15L	15.364	102.32	1.82	3430
				S	D15S	15.034	100.12	1.92	4070
				M	D15M	15.944	106.18	2.56	4070
				H	E15H	14.773	98.38	2.64	5980
			1.5 KW	L	C15L	15.364	139.52	1.33	3430
				S	D15S	15.034	136.53	1.40	4070
				M	D15M	15.944	144.79	1.87	4070
				H	E15H	14.773	134.15	1.94	5980
			2.2 KW	L	D15L	15.944	212.36	1.28	4070
				S	E15S	14.773	196.76	1.32	5980
				M	E15M	14.727	196.15	2.17	7350
				H	F15H	14.682	195.55	2.22	7350
3.7 KW	L	E15L	14.727	329.89	1.29	7350			
	S	F15S	14.682	328.88	1.32	7350			
5.5 KW	S	F15S	15.077	502.02	1.09	6960			
	M	G15M	14.796	492.67	1.75	9800			
	H	H15H	15.352	511.18	2.17	12000			
7.5 KW	S	G15S	14.796	671.82	1.28	9800			
	M	H15M	15.352	697.06	1.59	12000			
11 KW	S	H15S	15.352	1022.36	1.09	12000			
20	75	2	0.4 KW	L	A20L	18.636	45.13	1.16	1570
				S	B20S	20.653	50.01	1.28	2161
				M	B20M	19.808	47.97	2.12	1670
				H	C20H	19.303	46.74	2.85	2890
			0.55 KW	L	B20L	19.808	65.96	1.54	3530
				S	C20S	19.303	64.27	2.07	4210
				M	C20M	19.145	63.75	3.03	3530
				H	D20H	19.531	65.03	3.81	4210
			0.75 KW	L	B20L	19.808	89.94	1.13	1670
				S	C20S	19.303	87.65	1.52	2890
				M	C20M	19.145	86.93	2.22	3530
				H	D20H	19.531	88.68	2.79	4210
			1.1 KW	L	C20L	19.145	127.50	1.51	3530
				S	D20S	19.531	130.07	1.91	4210
				M	D20M	19.504	129.89	2.38	4210
				H	E20H	21.212	141.26	2.64	6330
			1.5 KW	L	C20L	19.145	173.86	1.11	3530
				S	D20S	19.531	177.36	1.40	4210
				M	D20M	19.504	177.12	1.75	4210
				H	E20H	21.212	192.63	1.94	6330
			2.2 KW	L	D20L	19.504	259.77	1.19	4210
				S	E20S	21.212	282.52	1.32	6330
				M	E20M	19.875	264.71	1.72	7350
				H	F20H	20.201	269.06	2.22	7550
			3.7 KW	L	E20L	19.785	443.18	1.03	7350
				S	F20S	20.201	452.50	1.32	7350
			5.5 KW	S	G20S	19.856	661.15	1.32	11100
				M	H20M	20.250	674.27	1.71	13500
				H	K20H	20.286	675.47	2.48	14200
			7.5 KW	S	H20S	20.250	919.46	1.25	13500
				M	K20M	20.286	921.09	1.82	14200
			11 KW	S	K20S	20.286	1350.94	1.24	14200

Note : 0.12 kW to 0.4 kW are available in 71 Motor Frame size.

Characteristic Table

Nominal Ratio	Output RPM (50Hz)	No.of Reduction Stage	Motor Capacity 4Pole	Class	Frame	Actual Ratio (1R)	Output Torque (TA)		Allowable O.H.L. on Output Shaft
							50Hz		50Hz
							Nm	sfg	N
25	60	2	0.4 KW	L	B25L	26.232	63.52	1.39	2160
				S	C25S	25.212	61.05	1.55	3630
				M	C25M	24.055	58.25	2.84	3970
				H	D25H	24.315	58.88	2.87	4900
			0.55 KW	L	C25L	24.055	80.10	2.07	3970
				S	D25S	24.315	80.96	2.08	4900
				M	D25M	23.893	79.56	3.35	4900
				H	E25H	25.455	84.76	3.82	7210
			0.75 KW	L	C25L	24.055	109.22	1.52	3970
				S	D25S	24.315	110.40	1.53	4900
				M	D25M	23.893	108.49	2.46	4900
				H	E25H	25.455	115.58	2.80	7210
			1.1 KW	L	D25L	23.893	159.11	1.68	4900
				S	E25S	25.455	169.52	1.91	7200
				M	E25M	23.554	156.86	2.64	7350
				H	F25H	23.766	158.27	2.64	7840
			1.5 KW	L	D25L	23.893	216.97	1.23	4900
				S	E25S	25.455	231.16	1.40	7210
				M	E25M	23.554	213.90	1.94	7350
				H	F25H	23.766	215.82	1.94	7840
2.2 KW	L	E25L	23.554	313.71	1.32	7350			
	S	F25S	23.766	316.54	1.32	7840			
	M	F25M	24.241	322.86	2.03	7840			
	H	G25H	25.057	333.73	2.22	11400			
3.7 KW	L	F25L	24.241	543.00	1.20	7840			
	S	G25S	25.057	561.28	1.32	11400			
5.5 KW	S	H25S	23.192	772.23	1.30	15000			
	M	K25M	24.456	814.32	1.80	16100			
7.5 KW	S	K25S	24.456	1110.44	1.32	16100			
30	50	2	0.4 KW	L	B30L	29.400	71.20	1.07	2160
				S	C30S	31.418	76.08	1.55	3770
				M	C30M	28.955	70.12	1.94	3970
				H	D30H	29.744	72.03	2.85	5050
			0.55 KW	L	C30L	28.955	96.41	1.41	3970
				S	D30S	29.744	99.04	2.07	5050
				M	D30M	27.942	93.04	3.36	5050
				H	E30H	28.264	94.11	3.82	7350
			0.75 KW	L	C30L	28.955	131.47	1.03	3970
				S	D30S	29.744	135.05	1.52	5050
				M	D30M	27.942	126.87	2.46	5050
				H	E30H	28.264	128.33	2.80	7350
			1.1 KW	L	D30L	27.942	186.08	1.68	5050
				S	E30S	28.264	188.22	1.91	7350
				M	E30M	27.686	184.37	2.58	7350
				H	F30H	28.636	190.70	2.64	8040
			1.5 KW	L	D30L	27.942	253.74	1.23	5050
				S	E30S	28.264	256.67	1.40	7350
				M	E30M	27.686	251.42	1.89	7350
				H	F30H	28.636	260.05	1.94	8040
			2.2 KW	L	E30L	27.686	368.75	1.29	7350
				S	F30S	28.636	381.40	1.32	8040
				M	F30M	28.205	375.66	1.75	8040
				H	G30H	29.455	392.31	2.22	11800
			3.7 KW	L	F30L	28.205	631.79	1.04	8040
				S	G30S	29.455	659.79	1.32	11800
			5.5 KW	S	H30S	29.082	968.35	1.24	16000
				M	K30M	29.013	966.06	1.70	17100
7.5 KW	S	K30S	29.013	1317.35	1.24	17100			

Note : 0.12 kW to 0.4 kW are available in 71 Motor Frame size.

Characteristic Table

Nominal Ratio	Output RPM (50Hz)	No. of Reduction Stage	Motor Capacity 4Pole	Class	Frame	Actual Ratio (1R)	Output Torque (TA)		Allowable O.H.L. on Output Shaft
							50Hz		50Hz
							Nm	sfg	N
45	33	3	0.4 KW	L	B45L	44.898	106.44	1.05	2160
				S	C45S	46.383	109.96	1.46	3970
				M	C45M	46.460	110.14	1.87	3970
				H	D45H	44.163	104.69	2.30	5100
			0.55 KW	L	C45L	46.460	151.44	1.36	3970
				S	D45S	44.163	143.96	1.67	5100
				M	D45M	45.665	148.85	2.73	5100
				H	E45H	47.292	154.15	2.89	7350
			0.75 KW	L	C45L	46.460	206.51	1.00	3970
				S	D45S	44.163	196.30	1.23	5100
				M	D45M	45.665	202.98	2.00	5100
				H	E45H	47.292	210.21	2.12	7350
			1.1 KW	L	D45L	45.665	297.70	1.36	5100
				S	E45S	47.292	308.31	1.45	7350
				M	E45M	45.818	298.70	2.00	7350
				H	F45H	43.182	281.51	2.16	9750
			1.5 KW	L	D45L	45.665	405.96	1.00	5100
				S	E45S	47.292	420.42	1.06	7350
				M	E45M	45.818	407.32	1.47	7350
				H	F45H	43.182	383.88	1.58	9750
			2.2 KW	L	E45L	45.818	597.40	1.00	7350
				S	F45S	43.182	563.03	1.08	9750
				M	F45M	44.807	584.22	1.68	8040
				H	G45H	46.364	604.52	1.84	13700
3.7 KW	L	F45L	44.807	982.55	1.00	8040			
	S	G45S	46.364	1016.69	1.09	13700			
5.5 KW	S	H45S	42.878	1397.67	1.04	17000			
	M	K45M	44.389	1446.92	1.36	8040			
7.5 KW	S	K45S	44.389	1973.07	1.00	18800			
50	30	3	0.4 KW	L	B50L	51.140	121.23	1.00	2160
				S	C50S	50.445	119.59	1.40	3970
				M	C50M	50.529	119.79	1.88	2160
				H	D50H	48.109	114.05	2.20	5100
			0.55 KW	L	C50L	50.529	164.71	1.37	2160
				S	D50S	48.109	156.82	1.60	5100
				M	D50M	49.745	162.15	2.60	5100
				H	E50H	51.705	168.54	2.72	7350
			0.75 KW	L	C50L	50.529	224.60	1.00	3970
				S	D50S	48.109	213.84	1.17	5100
				M	D50M	49.745	221.11	1.91	5100
				H	E50H	51.705	229.83	2.00	7350
			1.1 KW	L	D50L	49.745	324.30	1.30	5100
				S	E50S	51.705	337.08	1.36	7350
				M	E50M	50.093	326.57	1.93	7350
				H	F50H	53.342	347.75	2.00	10000
			1.5 KW	L	D50L	49.745	442.23	0.95	5100
				S	E50S	51.705	459.65	1.00	7350
				M	E50M	50.093	445.32	1.42	7350
				H	F50H	53.342	474.21	1.47	10000
			2.2 KW	L	E50L	50.093	653.14	0.97	7350
				S	F50S	53.342	695.50	1.00	10000
				M	F50M	52.394	683.14	1.55	8040
				H	G50H	50.356	656.57	1.71	13700
3.7 KW	L	F50L	52.394	1148.92	0.92	8040			
	S	G50S	50.356	1104.23	1.02	13700			
5.5 KW	S	H50S	50.242	1637.70	1.00	18100			
	M	K50M	51.352	1673.89	1.33	8040			
7.5 KW	S	K50S	51.352	2282.57	0.98	21600			

Note : 0.12 kW to 0.4 kW are available in 71 Motor Frame size.

Characteristic Table

Nominal Ratio	Output RPM (50Hz)	No.of Reduction Stage	Motor Capacity 4Pole	Class	Frame	Actual Ratio (1R)	Output Torque (TA)		Allowable O.H.L. on Output Shaft
							50Hz		50Hz
							Nm	sfg	N
60	25	3	0.4 KW	L	B60L	58.698	139.15	0.93	2160
				S	C60S	60.445	143.29	1.25	3970
				M	C60M	60.545	143.53	1.69	3970
				H	D60H	57.823	137.08	1.99	5100
			0.55 KW	L	C60L	60.545	197.35	1.23	3970
				S	D60S	57.823	188.48	1.45	5100
				M	D60M	59.790	194.89	2.21	5100
				H	E60H	62.735	204.49	2.48	7350
			0.75 KW	L	C60L	60.545	269.12	0.90	3970
				S	D60S	57.823	257.02	1.06	5100
				M	D60M	59.790	265.76	1.62	5100
				H	E60H	62.735	278.85	1.82	7350
			1.1 KW	L	D60L	59.790	389.79	1.11	5100
				S	E60S	62.735	408.99	1.24	7350
				M	E60M	60.779	396.23	1.60	7350
				H	F60H	62.374	406.63	2.00	10100
			1.5 KW	L	D60L	59.790	531.53	0.81	5100
				S	E60S	62.735	557.71	0.91	7350
				M	E60M	60.779	540.32	1.17	7350
				H	F60H	62.374	554.50	1.47	10100
			2.2 KW	L	E60L	60.779	792.47	0.80	7350
				S	F60S	62.374	813.27	1.00	10100
				M	F60M	57.000	743.20	1.45	8280
				H	G60H	56.924	742.21	1.68	13700
			3.7 KW	L	F60L	57.000	1249.92	0.86	8280
				S	G60S	56.924	1248.25	1.00	13700
			5.5 KW	S	H60S	59.873	1951.64	0.86	18100
				M	K60M	64.341	2097.28	1.18	21560
7.5 KW	S	K60S	64.341	2859.93	0.87	21600			
75	20	3	0.4 KW	L	B75L	73.576	174.42	0.76	2160
				S	C75S	80.182	190.08	1.00	3970
				M	C75M	74.204	175.91	1.39	3970
				H	D75H	75.121	178.09	1.88	5100
			0.55 KW	L	C75L	74.204	241.88	1.01	3970
				S	D75S	75.121	244.87	1.36	5100
				M	D75M	75.336	245.57	1.79	5100
				H	E75H	74.455	242.70	2.67	7350
			0.75 KW	L	C75L	74.204	329.83	0.74	3970
				S	D75S	75.121	333.91	1.00	5100
				M	D75M	75.336	334.87	1.31	5100
				H	E75H	74.455	330.95	1.95	7350
			1.1 KW	L	D75L	75.336	491.14	0.89	5100
				S	E75S	74.455	485.39	1.33	7350
				M	F75M	73.396	478.49	1.73	10500
				H	G75H	72.808	474.65	2.10	13700
			1.5 KW	L	D75L	75.336	669.73	0.66	5100
				S	E75S	74.455	661.90	0.98	7350
				M	F75M	73.396	652.48	1.27	10500
				H	G75H	72.808	647.26	1.54	13700
			2.2 KW	L	F75L	73.396	956.98	0.87	10500
				S	G75S	72.808	949.31	1.05	13700
				M	G75M	74.103	966.19	1.30	13700
				H	H75H	72.409	944.11	1.79	18100
			3.7 KW	L	G75L	74.103	1624.96	0.78	13700
				S	H75S	72.409	1587.82	1.06	18100
			5.5 KW	S	K75S	74.555	2430.22	1.00	21600

Note : 0.12 kW to 0.4 kW are available in 71 Motor Frame size.

Characteristic Table

Nominal Ratio	Output RPM (50Hz)	No. of Reduction Stage	Motor Capacity 4Pole	Class	Frame	Actual Ratio (1R)	Output Torque (TA)		Allowable O.H.L. on Output Shaft
							50Hz		50Hz
							Nm	sfg	N
100	15	3	0.4 KW	L	C100L	98.270	232.96	1.00	3970
				S	D100S	98.117	232.60	1.31	5100
				M	D100M	94.653	224.39	1.88	5100
				H	E100H	92.688	219.73	2.06	7350
			0.55 KW	L	D100L	94.653	308.53	1.36	5100
				S	E100S	92.688	302.13	1.50	7350
				M	E100M	99.967	325.86	2.03	7350
				H	F100H	102.987	335.70	2.51	11600
			0.75 KW	L	D100L	94.653	420.73	1.00	5100
				S	E100S	92.688	411.99	1.10	7350
				M	E100M	99.967	444.35	1.49	7350
				H	F100H	102.987	457.77	1.84	11600
			1.1 KW	L	E100L	99.967	651.71	1.01	7350
				S	F100S	102.987	671.40	1.26	11600
				M	F100M	102.198	666.26	1.61	11600
				H	G100H	100.962	658.20	1.87	13700
			1.5 KW	L	E100L	99.967	888.70	0.74	7350
				S	F100S	102.987	915.54	0.92	11600
				M	F100M	102.198	908.53	1.18	11600
				H	G100H	100.962	897.54	1.37	13700
			2.2 KW	L	F100L	102.198	1332.51	0.80	11600
				S	G100S	100.962	1316.40	0.93	13700
				M	G100M	94.659	1234.21	1.30	13700
				H	H100H	101.108	1318.30	1.43	18100
3.7 KW	L	G100L	94.659	2075.72	0.78	13700			
	S	H100S	101.108	2217.14	0.85	18100			
5.5 KW	S	K100S	95.135	3101.05	0.90	21600			
130	11.5	3	0.4 KW	L	C130L	127.726	302.79	0.74	3970
				S	D130S	120.025	284.54	1.03	5100
				M	D130M	127.427	302.08	1.42	5100
				H	E130H	124.449	295.02	1.87	7350
			0.55 KW	L	D130L	127.427	415.37	1.03	5100
				S	E130S	124.449	405.66	1.36	7350
				M	F130M	122.637	399.75	2.60	11600
				H	G130H	121.154	394.92	2.84	13700
			0.75 KW	L	D130L	127.427	566.41	0.76	5100
				S	E130S	124.449	553.17	1.00	7350
				M	F130M	122.637	545.12	1.91	11600
				H	G130H	121.154	538.52	2.09	13700
			1.1 KW	L	F130L	122.637	799.50	1.30	11600
				S	G130S	121.154	789.84	1.42	13700
				M	G130M	123.657	806.15	1.82	13700
				H	H130H	125.169	816.01	1.80	18100
			1.5 KW	L	F130L	122.637	1090.23	0.95	11600
				S	G130S	121.154	1077.05	1.04	13700
				M	G130M	123.657	1099.30	1.34	13700
				H	H130H	125.169	1112.74	1.32	18100
			2.2 KW	L	G130L	123.657	1612.31	0.91	13700
				S	H130S	125.169	1632.02	0.90	18100
				M	K130M	120.055	1565.34	1.69	21600
			3.7 KW	S	K130S	120.055	2632.62	1.00	21600

Note : 0.12 kW to 0.4 kW are available in 71 Motor Frame size.

Characteristic Table

Nominal Ratio	Output RPM (50Hz)	No.of Reduction Stage	Motor Capacity 4Pole	Class	Frame	Actual Ratio (1R)	Output Torque (TA)		Allowable O.H.L. on Output Shaft			
							50Hz		50Hz			
							Nm	sfg	N			
150	10	3	0.4 KW	L	C150L	140.318	332.64	0.68	3970			
				S	D150S	151.232	358.52	0.92	5100			
				M	D150M	141.183	334.69	1.27	5100			
				H	E150H	150.567	356.94	1.35	7350			
			0.55 KW	L	D150L	141.183	460.20	0.92	5100			
				S	E150S	150.567	490.79	0.98	7350			
				M	F150M	149.610	487.67	2.09	11600			
				H	G150H	148.388	483.69	2.60	13700			
			0.75 KW	L	D150L	141.183	627.55	0.68	5100			
				S	E150S	150.567	669.26	0.72	7350			
				M	F150M	149.610	665.01	1.53	11600			
				H	G150H	148.388	659.58	1.91	13700			
			1.1 KW	L	F150L	149.610	975.35	1.05	11600			
				S	G150S	148.388	967.38	1.30	13700			
				M	G150M	145.360	947.64	1.55	13700			
				H	H150H	149.161	972.42	1.51	17100			
			1.5 KW	L	F150L	149.610	1330.02	0.77	11600			
				S	G150S	148.388	1319.16	0.96	13700			
				M	G150M	145.360	1292.24	1.14	13700			
				H	H150H	149.161	1326.03	1.11	17100			
			2.2 KW	L	G150L	145.360	1895.28	0.78	13700			
				S	H150S	149.161	1944.84	0.76	18100			
				M	K150M	144.582	1885.14	1.47	21600			
			3.7 KW	S	K150S	144.582	3170.46	0.88	21600			
			200	7.5	3	0.4 KW	L	D200L	184.403	437.15	1.00	5100
							S	E200S	194.997	462.27	1.00	7350
							M	E200M	196.520	465.88	1.27	7350
							H	F200H	196.987	466.99	2.00	11600
0.55 KW	L	E200L				196.520	640.58	0.92	7350			
	S	F200S				196.987	642.11	1.46	11600			
	M	G200M				174.432	568.58	2.64	13700			
	H	H200H				196.987	642.11	2.34	18100			
0.75 KW	L	E200L				196.520	873.52	0.68	7350			
	S	F200S				196.987	875.60	1.07	11600			
	M	G200M				174.432	775.34	1.93	13700			
	H	H200H				196.987	875.60	1.71	18100			
1.1 KW	L	G200L				174.432	1137.17	1.32	13700			
	S	H200S				196.987	1284.21	1.17	18100			
	M	K200M				198.751	1295.71	2.00	21600			
1.5 KW	L	G200L				174.432	1550.68	0.97	13700			
	S	H200S				196.987	1751.20	0.86	18100			
	M	K200M				198.751	1766.88	1.47	21600			
2.2 KW	S	K200S				198.751	2591.42	1.00	21600			

Note : 0.12 kW to 0.4 kW are available in 71 Motor Frame size.

Characteristic Table

Nominal Ratio	Reducer Frame	Actual Ratio	No. of Reduction Stage	Input RPM 1450 rpm						
				Allowable Input Power	Allowable Output Torque (TG)		Allowable Overhung Load On Input Shaft		Allowable Overhung Load On output Shaft	
					kW	Nm	kgf.m	N	kgf	N
1/5	ACA5L	4.983	2	0.50	15.1	1.54	265	27	1180	120
	ACB5L	4.983	2	1.05	32.5	3.32	314	32	1323	135
	ACC5L	4.983	2	1.95	57.4	5.86	431	44	1862	190
	ACD5L	4.983	2	2.82	87.8	8.96	470	48	3185	325
	ACE5L	4.983	2	4.77	143.0	14.6	598	61	3479	365
	ACF5S	4.983	2	7.25	223.0	22.7	804	82	2646	270
	ACG5S	4.983	2	9.87	302.0	30.8	990	101	3822	390
	ACH5S	4.983	2	14.5	435.0	44.4	1205	123	2842	290
1/10	ACA10L	9.893	2	0.50	30.0	3.06	265	27	1519	155
	ACB10L	9.881	2	1.05	62.8	6.41	314	32	1519	155
	ACC10L	9.802	2	1.95	116.0	11.8	431	44	3136	320
	ACD10L	9.761	2	2.82	167.0	17.0	470	48	3724	380
	ACE10L	10.107	2	4.77	292.0	29.8	598	61	6811	695
	ACF10S	9.692	2	7.25	425.0	43.4	804	82	6076	620
	ACG10S	9.988	2	9.87	597.0	60.9	990	101	8771	895
	ACH10S	9.905	2	14.5	870.0	88.8	1205	123	7350	750
1/15	ACA15L	15.417	2	0.50	46.6	4.76	265	27	1568	160
	ACB15L	15.595	2	1.05	90.1	9.19	314	32	1617	165
	ACC15L	15.364	2	1.95	181.0	18.5	431	44	3430	350
	ACD15L	15.944	2	2.82	272.0	27.8	470	48	4067	415
	ACE15L	14.727	2	4.77	425.0	43.4	598	61	7350	750
	ACF15S	15.077	2	6.52	597.0	60.7	804	82	6958	710
	ACG15S	14.796	2	9.87	884.0	90.2	990	101	9800	1000
	ACH15S	15.352	2	13.0	1215.0	124.0	1205	123	11956	1220
1/20	ACA20L	18.836	2	0.50	57.0	5.82	265	27	1568	160
	ACB20L	19.808	2	0.92	111.0	11.3	314	32	1666	170
	ACC20L	19.145	2	1.81	210.0	21.4	431	44	3528	350
	ACD20L	19.504	2	2.82	333.0	34.0	470	48	4214	430
	ACE20L	19.785	2	4.14	496.0	50.6	598	61	7350	750
	ACF20S	20.201	2	4.77	583.0	59.5	598	61	7546	770
	ACG20S	19.856	2	7.25	872.0	89.0	804	82	11074	1130
	ACH20S	20.250	2	9.87	1215.0	124.0	990	101	13524	1380
	ACK20S	20.286	2	14.5	1784.0	182.0	1205	123	14210	1450
1/25	ACB25L	26.232	2	0.58	92.1	9.40	265	27	2156	220
	ACC25L	24.055	2	1.05	153.0	15.6	314	32	3969	405
	ACD25L	23.893	2	1.95	282.0	28.8	431	44	4600	500
	ACE25L	23.554	2	2.82	402.0	41.0	470	48	7350	750
	ACF25L	24.341	2	4.77	704.0	71.8	598	61	7840	800
	ACG25S	25.057	2	4.77	724.0	73.9	598	61	11368	1160
	ACH25S	23.192	2	7.25	1019.0	104.0	804	82	14994	1530
	ACK25S	24.456	2	9.87	1460.0	149.0	990	101	16072	1640
1/30	ACB30L	29.400	2	0.47	82.8	8.45	265	27	2156	220
	ACC30L	28.955	2	0.84	147.0	15.0	314	32	3969	405
	ACD30L	27.942	2	1.95	330.0	33.7	431	44	5047	515
	ACE30L	27.686	2	2.82	472.0	48.2	470	48	7350	750
	ACF30L	28.205	2	4.18	714.0	72.9	598	61	8036	820
	ACG30S	29.455	2	4.77	851.0	86.8	598	61	11760	1200
	ACH30S	29.082	2	7.25	1274.0	130.0	804	82	15974	1630
	ACK30S	29.013	2	9.87	1735.0	177.0	990	101	17052	1740
1/45	ACB45L	44.898	3	0.47	124.0	12.7	265	27	2160	220
	ACC45L	46.460	3	0.78	216.0	22.0	314	32	3969	405
	ACD45L	45.665	3	1.50	406.0	41.4	431	44	5096	520
	ACE45L	45.818	3	2.22	604.0	61.6	470	48	7350	750
	ACF45L	44.807	3	3.70	980.0	100.0	598	61	8036	820
	ACG45S	46.364	3	4.48	1235.0	126.0	598	61	13720	1400
	ACH45S	42.878	3	6.36	1617.0	165.0	804	82	16954	1730
	ACK45S	44.389	3	8.25	2166.0	221.0	990	101	18816	1920

Characteristic Table

Nominal Ratio	Reducer Frame	Actual Ratio	No. of Reduction Stage	Input RPM 1450 rpm						
				Allowable Input Power	Allowable Output Torque (TG)		Allowable Overhung Load On Input Shaft		Allowable Overhung Load On output Shaft	
					kW	Nm	kgf.m	N	kgf	N
1/50	ACB50L	51.140	3	0.42	128	13.1	265	27	2156	220
	ACC50L	50.529	3	0.75	224	22.9	314	32	3969	405
	ACD50L	49.745	3	1.43	422	43.1	431	44	5096	520
	ACE50L	50.093	3	2.13	631	64.4	470	48	7350	750
	ACF50L	52.394	3	3.41	1058	108.0	598	61	8036	820
	ACG50S	50.356	3	4.15	1235	126.0	598	61	13720	1400
	ACH50S	50.242	3	5.56	1656	169.0	804	82	17800	1820
	ACK50S	51.352	3	7.33	2230	228.0	990	101	19700	2010
1/60	ACB60L	58.698	3	0.37	129	13.2	265	27	2156	220
	ACC60L	60.545	3	0.68	242	24.7	314	32	3969	405
	ACD60L	59.790	3	1.22	431	44.0	431	44	5069	520
	ACE60L	60.779	3	1.76	634	64.7	470	48	7350	750
	ACF60L	57.000	3	3.21	1078	110.0	598	61	8281	845
	ACG60S	56.924	3	3.70	1245	127.0	598	61	13720	1400
	ACH60S	59.873	3	4.71	1666	170.0	804	82	18130	1850
	ACK60S	64.341	3	6.50	2479	253.0	990	101	21560	2200
1/75	ACB75L	73.576	3	0.30	131	13.4	265	27	2156	220
	ACC75L	74.204	3	0.56	245	25.0	314	32	3969	405
	ACD75L	75.336	3	0.98	439	44.8	431	44	5096	520
	ACE75L	74.455	3	1.47	647	66.0	431	44	7350	750
	ACF75L	73.396	3	1.91	829	84.6	470	48	10486	1070
	ACG75S	74.103	3	2.88	1264	129.0	598	61	13720	1400
	ACH75S	72.409	3	4.36	1872	191.0	598	61	18130	1850
	ACK75S	74.555	3	5.87	2587	264.0	804	82	21560	2200
1/100	ACC100L	98.270	3	0.40	233	23.8	265	27	3969	405
	ACD100L	94.653	3	0.76	425	43.4	314	32	5096	520
	ACE100L	99.967	3	1.12	662	67.5	431	44	7350	750
	ACF100L	102.198	3	1.76	1066	109.0	470	48	11564	1180
	ACG100S	94.659	3	2.88	1617	165.0	598	61	13720	1400
	ACH100S	101.108	3	3.17	1891	193.0	598	61	18130	1850
	ACK100S	95.135	3	4.95	2793	285.0	804	82	21560	2200
1/130	ACC130L	127.726	3	0.30	225	23.0	265	27	3969	405
	ACD130L	127.427	3	0.57	428	43.7	314	32	5096	520
	ACE130L	124.449	3	0.75	553	56.4	314	32	7350	750
	ACF130L	122.637	3	1.43	1039	106.0	431	44	11564	1180
	ACG130S	123.657	3	2.00	1470	150.0	470	48	13720	1400
	ACH130S	125.169	3	1.98	1470	150.0	470	48	18130	1850
	ACK130S	120.055	3	3.91	2773	283.0	598	61	21560	2200
1/150	ACC150L	140.318	3	0.27	225	23.0	265	27	3969	405
	ACD150L	141.183	3	0.51	425	43.4	314	32	5096	520
	ACE150L	150.567	3	0.54	483	49.3	314	32	7350	750
	ACF150L	149.610	3	1.15	1019	104.0	431	44	11564	1180
	ACG150S	145.360	3	1.71	1470	150.0	470	48	13720	1400
	ACH150S	149.161	3	1.66	1470	150.0	470	48	18130	1850
	ACK150S	144.582	3	3.25	2783	284.0	598	61	21560	2200
1/200	ACD200L	184.403	3	0.40	437	44.6	265	27	5096	520
	ACE200L	196.520	3	0.51	592	60.4	314	32	7350	750
	ACF200L	196.987	3	0.89	1039	106.0	314	32	11564	1180
	ACG200S	174.432	3	1.45	1499	153.0	431	44	13720	1400
	ACH200S	196.987	3	1.28	1499	153.0	431	44	18130	1850
	ACK200S	198.751	3	2.35	2764	282.0	470	48	21560	2200

Characteristic Table

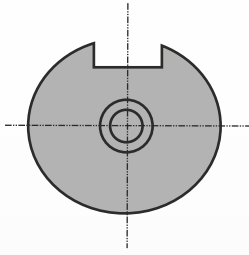


Figure 1

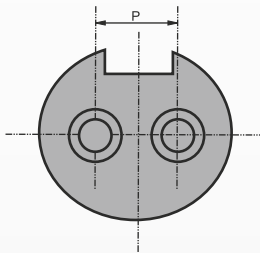


Figure 2

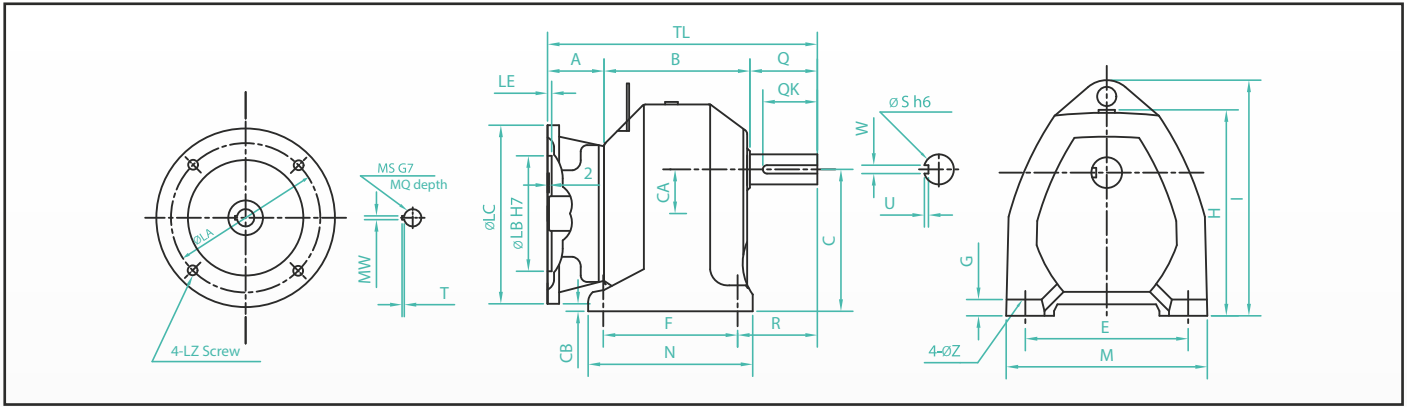
Table No. 4

REDUCER FRAME	FIG	DIMENSION P	SIZE OF	DEPTH
A	1	-	M6	10
B	1	-	M6	10
C	1	-	M6	10
D	2	16	M8	14
E	2	20	M8	14
F	2	22	M10	18
G	2	26	M10	18
H	2	30	M10	18
K	2	36	M12	20

Table No. 5

Capacity (kW) 4P	Motor Frame	Dimension (mm)									
		Motor Mounting Section									
		LA	LB	LC	LE	LZ	MS	MQ	MW	T	
0.4	71	130	110	160	3.5	M8	14	30	5	2.3	
0.55	80	165	130	200	3.5	M10	19	40	6	2.8	
0.75	80	165	130	200	3.5	M10	19	40	6	2.8	
1.1	90S	165	130	200	3.5	M10	24	50	8	3.3	
1.5	90L	165	130	200	3.5	M10	24	50	8	3.3	
2.2	100L	215	180	250	4	M12	28	60	8	3.3	
3.7	112M	215	180	250	4	M12	28	60	8	3.3	
5.5	132S	265	230	300	4	M12	38	80	10	3.3	
7.5	132M	265	230	300	4	M12	38	80	10	3.3	
11	160M	300	250	350	5	M16	42	110	12	3.3	

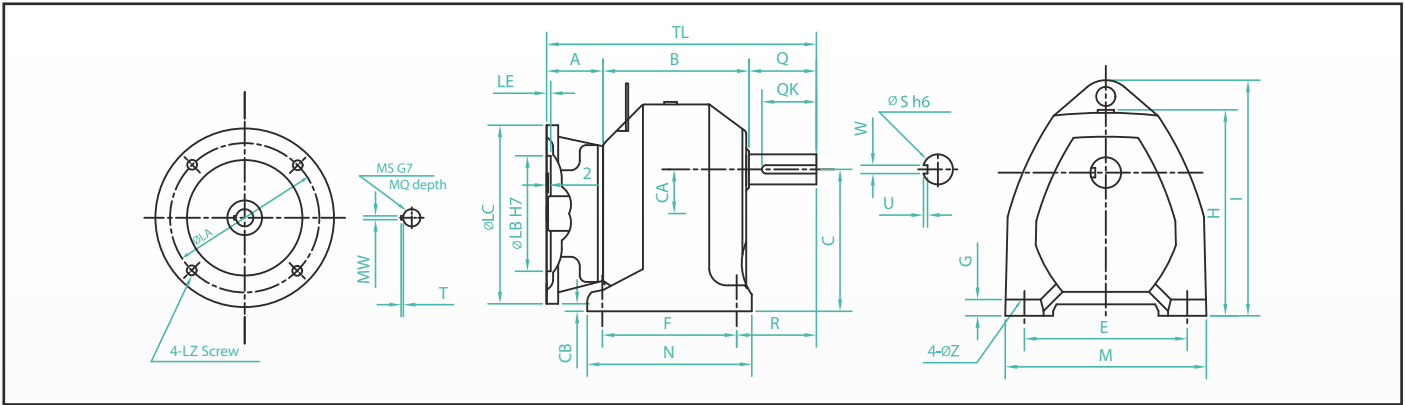
Type (AM) Foot Mounted Motor Mount Reducer



Class	MOTOR (kW)	Ratio	Frame	Dimension (mm)																	Mass (kg)			
				TL	A	B	C	CA	CB	E	F	G	H	I	M	N	R	Z	Shaft-End					
																			Q	QK		S	W	U
0.4	5 10 15 20	AMA5L AMA10L AMA15L AMA20L	158	47	83	90	20	-10	130	65	12	137	-	154	90	43.5	12	28	23	18	6	3.5	5.5	
	25 30	AMB25L AMB30L	179	47	96	105	22	3	130	75	12	165	-	155	105	54	12	36	31	22	6	3.5	8	
	45 50 60 75	AMB45L AMB50L AMB60L AMB75L	187	47	104	105	22	3	130	75	12	165	-	155	105	54	12	36	31	22	6	3.5	8.5	
	100 130 150	AMC100L AMC130L AMC150L	201	47	118	120	26	14	140	90	14	185	-	170	120	54	12	36	31	24	8	4	10.5	
	200	AMD200L	235	47	130	135	33	22	170	125	17	215	246	210	155	78	12	58	53	32	10	5	20	
0.55	5 10 15 20	AMB5L AMB10L AMB15L AMB20L	187	55	96	105	22	-17	130	75	12	165	-	155	105	54	12	36	31	22	6	3.5	10	
	25 30	AMC25L AMC30L	195	55	104	120	26	-6	140	90	14	185	-	170	120	54	12	36	31	24	8	4	11.5	
	45 50 60 75	AMC45L AMC50L AMC60L AMC75L	209	55	118	120	26	-6	140	90	14	185	-	170	120	54	12	36	31	24	8	4	12.5	
	100 130 150	AMD100L AMD130L AMD150L	243	55	130	135	33	2	170	125	17	215	-	210	155	78	12	58	53	32	10	5	22	
	200	AME200L	258	55	145	150	34	16	190	140	22	237	-	245	180	83	15	58	53	38	10	5	30	
0.75	5 10 15 20	AMB5L AMB10L AMB15L AMB20L	187	55	96	105	22	-17	130	75	12	165	-	155	105	54	12	36	31	22	6	3.5	10	
	25 30	AMC25L AMC30L	195	55	104	120	26	-6	140	90	14	185	-	170	120	54	12	36	31	24	8	4	11.5	
	45 50 60 75	AMC45L AMC50L AMC60L AMC75L	209	55	118	120	26	-6	140	90	14	185	-	170	120	54	12	36	31	24	8	4	12.5	
	100 130 150	AMD100L AMD130L AMD150L	243	55	130	135	33	2	170	125	17	215	-	210	155	78	12	58	53	32	10	5	22	
	200	AME200L	258	55	145	150	34	16	190	140	22	237	-	245	180	83	15	58	53	38	10	5	30	
1.10	5 10 15 20	AMC5L AMC10L AMC15L AMC20L	209	60	113	120	26	-6	140	90	14	185	-	170	120	54	12	36	31	24	8	4	12.5	
	25 30	AMD25L AMD30L	246	60	128	135	33	2	170	125	17	215	-	210	155	78	12	58	53	32	10	5	22	
	45 50 60 75	AMD45L AMD50L AMD60L AMD75L	260	60	142	135	33	2	170	125	17	215	-	210	155	78	12	58	53	32	10	5	23	
	100	AME100L	275	60	157	150	34	16	190	140	22	237	-	245	180	83	15	58	53	38	10	5	31	
	130 150	AMF130L AMF150L	313	60	171	180	42	38	220	160	25	283	-	280	200	107	19	82	77	42	12	5	42.5	
200	AMG200L	333	60	191	200	47	53	270	195	32	315	362	330	235	107	19	82	77	48	14	5.5	62		

* For Motor mounting dimension please refer table No. 5 on Page 20

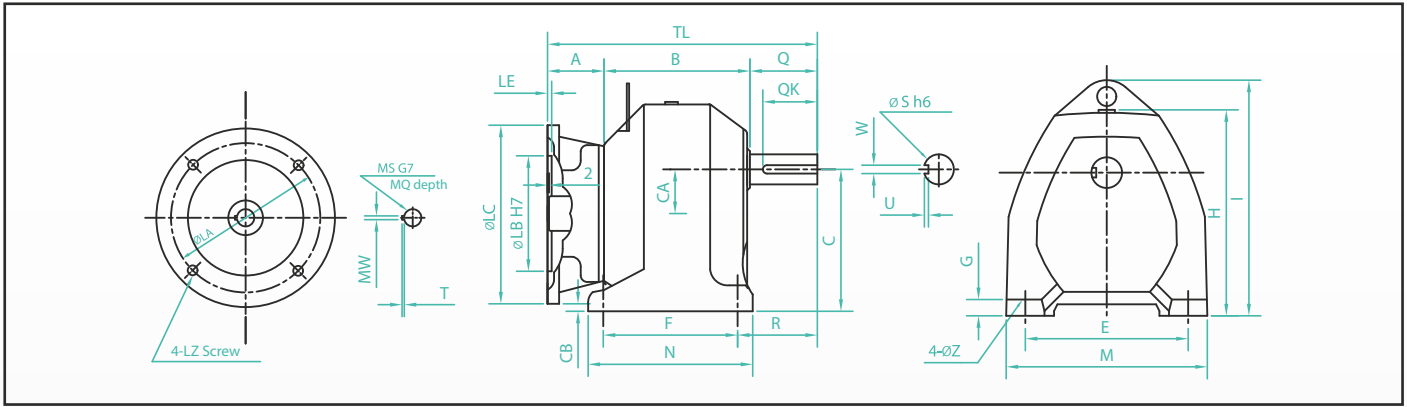
Type (AM) Foot Mounted Motor Mount Reducer



Class	MOTOR (kW)	Ratio	Frame	Dimension (mm)																	Mass (kg)					
				TL	A	B	C	CA	CB	E	F	G	H	I	M	N	R	Z	Shaft-End							
																	Q	QK	S	W	U					
L	1.50	5 10 15 20	AMC5L AMC10L AMC15L AMC20L	209	60	113	120	26	-6	140	90	14	185	-	170	120	54	12	36	31	24	8	4	12.5		
		25 30	AMD25L AMD30L	246	60	128	135	33	2	170	125	17	215	-	210	155	78	12	58	53	32	10	5	22		
		45 50 60 75	AMD45L AMD50L AMD60L AMD75L	260	60	142	135	33	2	170	125	17	215	-	210	155	78	12	58	53	32	10	5	23		
		100	AME100L	275	60	157	150	34	16	190	140	22	237	-	245	180	83	15	58	53	38	10	5	31		
		130 150	AMF130L AMF150L	313	60	171	180	42	38	220	160	25	283	-	280	200	107	19	82	77	42	12	5	42.5		
		200	AMG200L	333	60	191	200	47	53	270	195	32	315	362	330	235	107	19	82	77	48	14	5.5	62		
	2.20	5 10 15 20	AMD5L AMD10L AMD15L AMD20L	257	71	128	135	33	-23	170	125	17	215	-	210	155	78	12	58	53	32	10	5	25		
		25 30	AME25L AME30L	268	71	139	150	34	-9	190	140	22	237	-	245	180	83	15	58	53	38	10	5	32.5		
		45 50 60	AME45L AME50L AME60L	286	71	157	150	34	-9	190	140	22	237	-	245	180	83	15	58	53	38	10	5	34		
		75 100	AMF75L AMF100L	324	71	171	180	42	13	220	160	25	283	-	280	200	107	19	82	77	42	12	5	45.5		
		130 150	AMG130L AMG150L	344	71	191	200	47	28	270	195	32	315	362	330	235	107	19	82	77	48	14	5.5	65		
		3.30	5 10 15 20	AME5L AME10L AME15L AME20L	271	74	139	150	34	-9	190	140	22	237	-	245	180	83	15	58	53	38	10	5	36.5	
25 30	AMF25L AMF30L		309	74	153	180	42	13	220	160	25	283	-	280	200	107	19	82	77	42	12	5	47			
45 50 60	AMF45L AMF50L AMF60L		330	74	174	180	42	13	220	160	25	283	-	280	200	107	19	82	77	42	12	5	49.5			
75 100	AMG75L AMG100L		344	74	188	200	47	28	270	195	32	315	362	330	235	107	19	82	77	48	14	5.5	69			

* For Motor mounting dimension please refer table No. 5 on Page 20

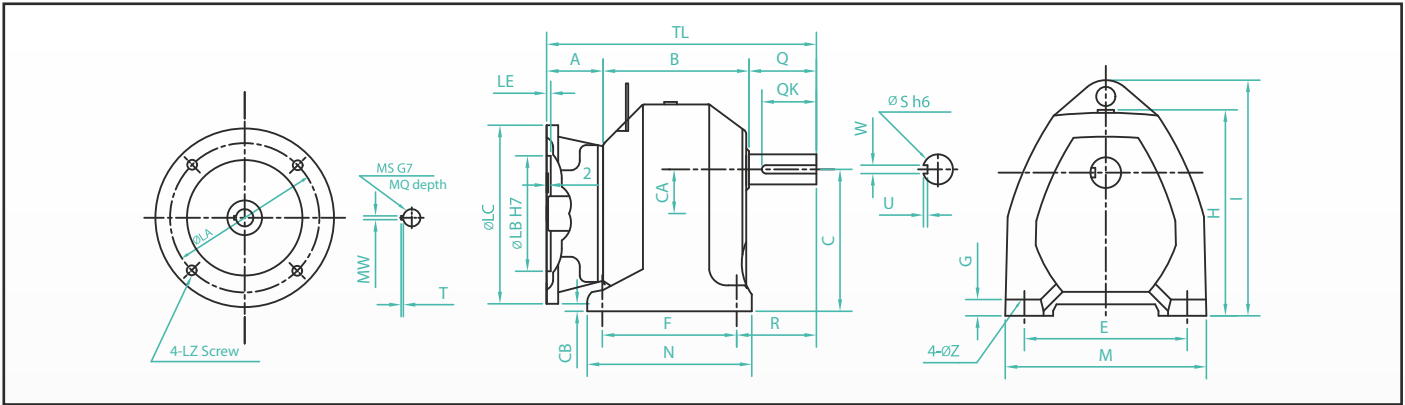
Type (AM) Foot Mounted Motor Mount Reducer



Class	MOTOR (kW)	Ratio	Frame	Dimension (mm)																	Mass (kg)			
				TL	A	B	C	CA	CB	E	F	G	H	I	M	N	R	Z	Shaft-End					
																			Q	QK		S	W	U
S	0.4	5 10 15 20	AMB5S AMB10S AMB15S AMB20S	179	47	96	105	22	3	130	75	12	165	-	155	105	54	12	36	31	22	6	3.5	8
		25 30	AMC25S AMC30S	187	47	104	120	26	14	140	90	14	185	-	170	120	54	12	36	31	24	8	4	9.5
		45 50 60 75	AMC45S AMC50S AMC60S AMC75S	201	47	118	120	26	14	140	90	14	185	-	170	120	54	12	36	31	24	8	4	10.5
		100 130 150	AMD100S AMD130S AMD150S	235	47	130	135	33	22	170	125	17	215	-	210	155	78	12	58	53	32	10	5	20
		200	AME200S	250	47	145	150	34	36	190	140	22	237	-	245	180	83	15	58	53	38	10	5	28
		0.55	5 10 15 20	AMC5S AMC10S AMC15S AMC20S	195	55	104	120	26	-6	140	90	14	185	-	170	120	54	12	36	31	24	8	4
	25 30		AMD25S AMD30S	229	55	116	135	33	2	170	125	17	215	-	210	155	78	12	58	53	32	10	5	21
	45 50 60 75		AMD45S AMD50S AMD60S AMD75S	243	55	130	135	33	2	170	125	17	215	-	210	155	78	12	58	53	32	10	5	22
	100 130 150		AME100S AME130S AME150S	258	55	145	150	34	16	190	140	22	237	-	245	180	83	15	58	53	38	10	5	30
	200		AMF200S	299	55	162	180	39	41	220	160	25	283	-	280	200	107	19	82	77	42	12	5	41.5
	0.75		5 10 15 20	AMC5S AMC10S AMC15S AMC20S	195	55	104	120	26	-6	140	90	14	185	-	170	120	54	12	36	31	24	8	4
		25 30	AMD25S AMD30S	229	55	116	135	33	2	170	125	17	215	-	210	155	78	12	58	53	32	10	5	21
		45 50 60 75	AMD45S AMD50S AMD60S AMD75S	243	55	130	135	33	2	170	125	17	215	-	210	155	78	12	58	53	32	10	5	22
		100 130 150	AME100S AME130S AME150S	258	55	145	150	34	16	190	140	22	237	-	245	180	83	15	58	53	38	10	5	30
		200	AMF200S	299	55	162	180	39	41	220	160	25	283	-	280	200	107	19	82	77	42	12	5	41.5
		1.10	5 10 15 20	AMD5S AMD10S AMD15S AMD20S	246	60	128	135	33	2	170	125	17	215	-	210	155	78	12	58	53	32	10	5
	25 30		AME25S AME30S	257	60	139	150	34	16	190	140	22	237	-	245	180	83	15	58	53	38	10	5	29.5
	45 50 60 75		AME45S AME50S AME60S AME75S	275	60	157	150	34	16	190	140	22	237	-	245	180	83	15	58	53	38	10	5	31
100	AMF100S		313	60	171	180	42	38	220	160	25	283	-	280	200	107	19	82	77	42	12	5	42.5	
130 150	AMG130S AMG150S		333	60	191	200	47	53	270	195	32	315	362	330	235	107	19	82	77	48	14	5.5	62	
200	AMH200S		347	60	205	225	57	68	300	215	35	345	396	360	265	112	24	82	77	56	16	6	77	

* For Motor mounting dimension please refer table No. 5 on Page 20

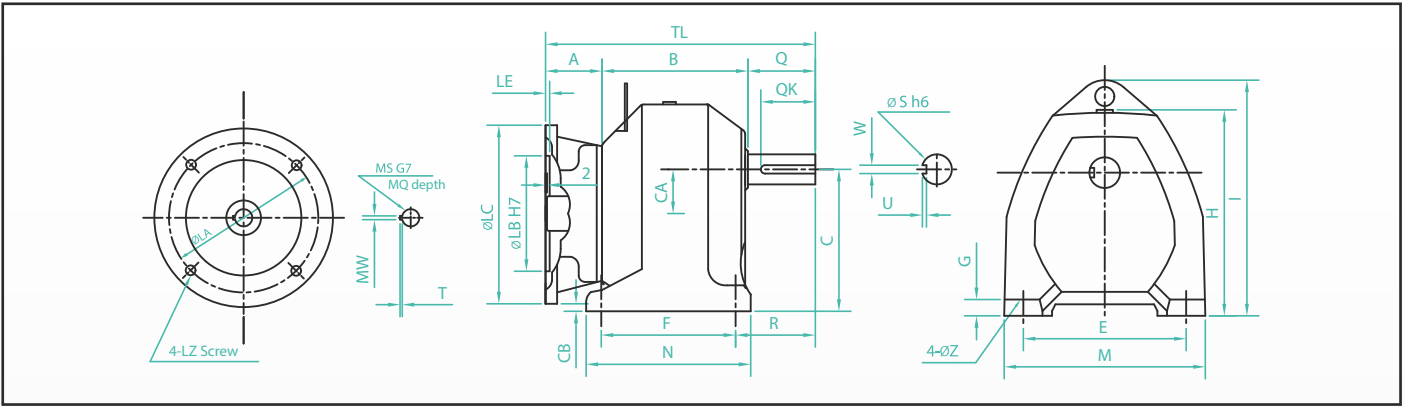
Type (AM) Foot Mounted Motor Mount Reducer



Class	MOTOR (kW)	Ratio	Frame	Dimension (mm)																	Mass (kg)					
				TL	A	B	C	CA	CB	E	F	G	H	I	M	N	R	Z	Shaft-End							
				Q	QK	S	W	U																		
S	1.5	5 10 15 20 AMD5S AMD10S AMD15S AMD20S	AMD5S AMD10S AMD15S AMD20S	246	60	128	135	33	2	170	125	17	215	-	210	155	78	12	58	53	32	10	5	22		
		25 30 AME25S AME30S	AME25S AME30S	257	60	139	150	34	16	190	140	22	237	-	245	180	83	15	58	53	38	10	5	29.5		
		45 50 60 75 AME45S AME50S AME60S AME75S	AME45S AME50S AME60S AME75S	275	60	157	150	34	16	190	140	22	237	-	245	180	83	15	58	53	38	10	5	31		
		100 AMF100S	AMF100S	313	60	171	180	42	38	220	160	25	283	-	280	200	107	19	82	77	42	12	5	42.5		
		130 150 AMG130S AMG150S	AMG130S AMG150S	333	60	191	200	47	53	270	195	32	315	362	330	235	107	19	82	77	48	14	5.5	62		
		200 AMH200S	AMH200S	347	60	205	225	57	68	300	215	35	345	396	360	265	112	24	82	77	56	16	6	77		
	2.2	5 10 15 20 AME5S AME10S AME15S AME20S	AME5S AME10S AME15S AME20S	268	71	139	150	34	-9	190	140	22	237	-	245	180	83	15	58	53	38	10	5	32.5		
		25 30 AMF25S AMF30S	AMF25S AMF30S	303	71	150	180	42	13	220	160	25	283	-	280	200	107	19	82	77	42	12	5	43		
		45 50 60 75 AMF45S AMF50S AMF60S AMG75S	AMF45S AMF50S AMF60S AMG75S	324	71	171	180	42	13	220	160	25	283	-	280	200	107	19	82	77	42	12	5	45.5		
		100 AMG100S	AMG100S	344	71	191	200	47	28	270	195	32	315	362	330	235	107	19	82	77	48	14	5.5	65		
		130 150 AMH130S AMH150S	AMH130S AMH150S	358	71	205	225	57	43	300	215	35	345	393	360	265	112	24	82	77	56	16	6	80		
		200 AMK200S	AMK200S	395	71	219	250	58	67	340	240	40	385	442	410	300	140	24	105	100	63	18	7	110		
	3.70	5 10 15 20 AMF5S AMF10S AMF15S AMF20S	AMF5S AMF10S AMF15S AMF20S	309	74	153	180	42	13	220	160	25	283	-	280	200	107	19	82	77	42	12	5	47		
		25 30 AMG25S AMG30S	AMG25S AMG30S	318	74	162	200	47	28	270	195	32	315	362	330	235	107	19	82	77	48	14	5.5	64		
45 50 60 75 AMG45S AMG50S AMG60S		AMG45S AMG50S AMG60S	344	74	188	200	47	28	270	195	32	315	362	330	235	107	19	82	77	48	14	5.5	69			
75 100 AMH75S AMH100S		AMH75S AMH100S	367	74	211	225	57	43	300	215	35	345	393	360	265	112	24	82	77	56	16	6	84			
130 150 AMK130S AMK150S		AMK130S AMK150S	408	74	229	250	58	67	340	240	40	385	442	410	300	140	24	105	100	63	18	7	114			
5 10 15 AMF5S AMF10S AMF15S		AMF5S AMF10S AMF15S	334	91	161	180	42	-12	220	160	25	283	-	280	200	107	19	82	77	42	12	5	50			
5.50	20 AMG20S	AMG20S	346	91	173	200	52	-2	270	195	32	315	362	330	235	107	19	82	77	48	14	5.5	67			
	25 30 AMH25S AMH30S	AMH25S AMH30S	368	91	195	225	55	20	300	215	35	345	393	360	265	112	24	82	77	56	16	6	82			
	45 50 60 75 AMH45S AMH50S AMH60S	AMH45S AMH50S AMH60S	392	91	219	225	57	18	300	215	35	345	393	360	265	112	24	82	77	56	16	6	87			
	75 100 AMK75S AMK100S	AMK75S AMK100S	433	91	237	250	60	40	340	240	40	385	442	410	300	140	24	105	100	63	18	7	117			
	5 10 15 AMG5S AMG10S AMG15S	AMG5S AMG10S AMG15S	349	89	178	200	52	-2	270	195	32	315	362	330	235	107	19	82	77	48	14	5.5	72			
	20 AMH20S	AMH20S	371	89	200	225	55	20	300	215	35	345	393	360	265	112	24	82	77	56	16	6	87			
7.50	25 30 AMK25S AMK30S	AMK25S AMK30S	402	89	208	250	58	42	340	240	40	385	442	410	300	140	24	105	100	63	18	7	112			
	45 50 60 AMK45S AMK50S AMK60S	AMK45S AMK50S AMK60S	436	89	242	250	60	40	340	240	40	385	442	410	300	140	24	105	100	63	18	7	122			
	5 10 15 AMH5S AMH10S AMH15S	AMH5S AMH10S AMH15S	405	123	200	225	55	-5	300	215	35	345	393	360	265	112	24	82	77	56	16	6	96			
	20 AMK20S	AMK20S	436	123	208	250	58	17	340	240	40	385	442	410	300	140	24	105	100	63	18	7	121			

* For Motor mounting dimension please refer table No. 5 on Page 20

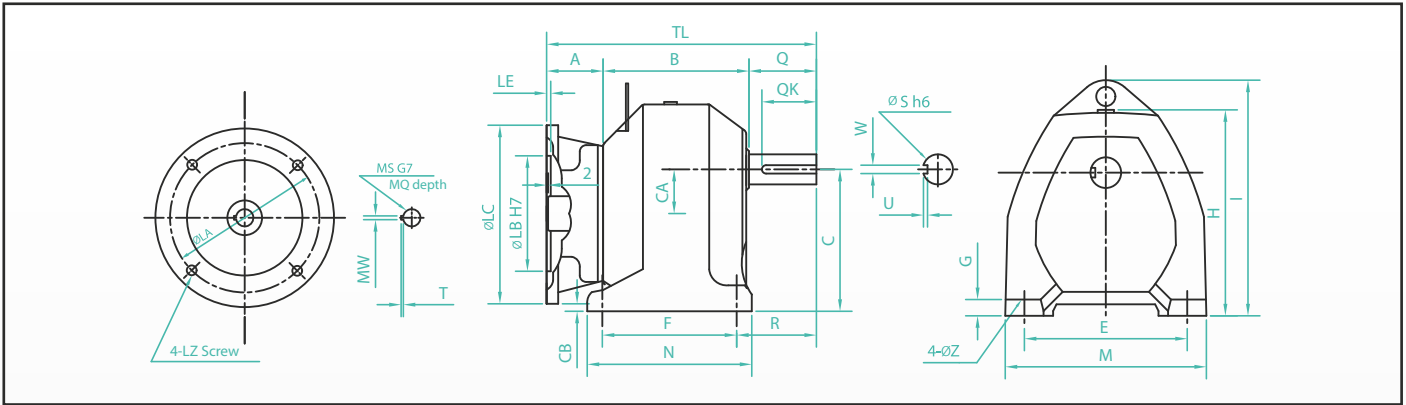
Type (AM) Foot Mounted Motor Mount Reducer



Class	MOTOR (kW)	Ratio	Frame	Dimension (mm)																	Mass (kg)			
				TL	A	B	C	CA	CB	E	F	G	H	I	M	N	R	Z	Shaft-End					
																			Q	QK		S	W	U
M	0.40	5 10 15 20	AMB5M AMB10M AMB15M AMB20M	179	47	96	105	22	3	130	75	12	165	-	155	105	54	12	36	31	22	6	3.5	10
		25 30	AMC25M AMC30M	187	47	104	120	26	14	140	90	14	185	-	170	120	54	12	36	31	24	8	4	11.5
		45 50 60 75	AMC45M AMC50M AMC60M AMC75M	201	47	118	120	26	14	140	90	14	185	-	170	120	54	12	36	31	24	8	4	12.5
		100 130 150	AMD100M AMD130M AMD150M	235	47	130	135	33	22	170	125	17	215	-	210	155	78	12	58	53	32	10	5	22
		200	AME200M	250	47	145	150	34	36	190	140	22	237	-	245	180	83	15	58	53	38	10	5	30
	0.55	5 10 15 20	AMC5M AMC10M AMC15M AMC20M	209	60	113	120	26	-6	140	90	14	185	-	170	120	54	12	36	31	24	8	4	12.5
		25 30	AMD25M AMD30M	246	60	128	135	33	2	170	125	17	215	-	210	155	78	12	58	53	32	10	5	22
		45 50 60	AMD45M AMD50M AMD60M	260	60	142	135	33	2	170	125	17	215	-	210	155	78	12	58	53	32	10	5	23
		100	AME100M	275	60	157	150	34	16	190	140	22	237	-	245	180	83	15	58	53	38	10	5	31
		130 150	AMF130M AMF150M	313	60	171	180	42	38	220	160	25	283	-	280	200	107	19	82	77	42	12	5	42.5
200	AMH200M	347	60	205	225	57	68	300	215	35	345	396	360	265	112	24	82	77	56	16	6	77		
0.75	5 10 15 20	AMC5M AMC10M AMC15M AMC20M	209	60	113	120	26	-6	140	90	14	185	-	170	120	54	12	36	31	24	8	4	12.5	
	25 30	AMD25M AMD30M	246	60	128	135	33	2	170	125	17	215	-	210	155	78	12	58	53	32	10	5	22	
	45 50 60 75	AMD45M AMD50M AMD60M AMD75M	260	60	142	135	33	2	170	125	17	215	-	210	155	78	12	58	53	32	10	5	23	
	100	AME100M	275	60	157	150	34	16	190	140	22	237	-	245	180	83	15	58	53	38	10	5	31	
	130 150	AMF130M AMF150M	313	60	171	180	42	38	220	160	25	283	-	280	200	107	19	82	77	42	12	5	42.5	
	200	AMH200M	347	60	205	225	57	68	300	215	35	345	396	360	265	112	24	82	77	56	16	6	77	
	1.10	5 10 15 20	AMD5M AMD10M AMD15M AMD20M	246	60	128	135	33	2	170	125	17	215	-	210	155	78	12	58	53	32	10	5	25
		25 30	AME25M AME30M	257	60	139	150	34	16	190	140	22	237	-	245	180	83	15	58	53	38	10	5	32.5
45 50 60		AME45M AME50M AME60M	275	60	157	150	34	16	190	140	22	237	-	245	180	83	15	58	53	38	10	5	34	
75 100		AMF75M AMF100M	313	60	171	180	42	38	220	160	25	283	-	280	200	107	19	82	77	42	12	5	45.5	
130 150		AMH130M AMH150M	347	60	205	225	57	68	300	215	35	345	393	360	265	112	24	82	77	56	16	6	80	
200		AMK200M	384	60	219	250	58	92	340	240	40	385	442	410	300	140	24	105	100	63	18	7	110	

* For Motor mounting dimension please refer table No. 5 on Page 20

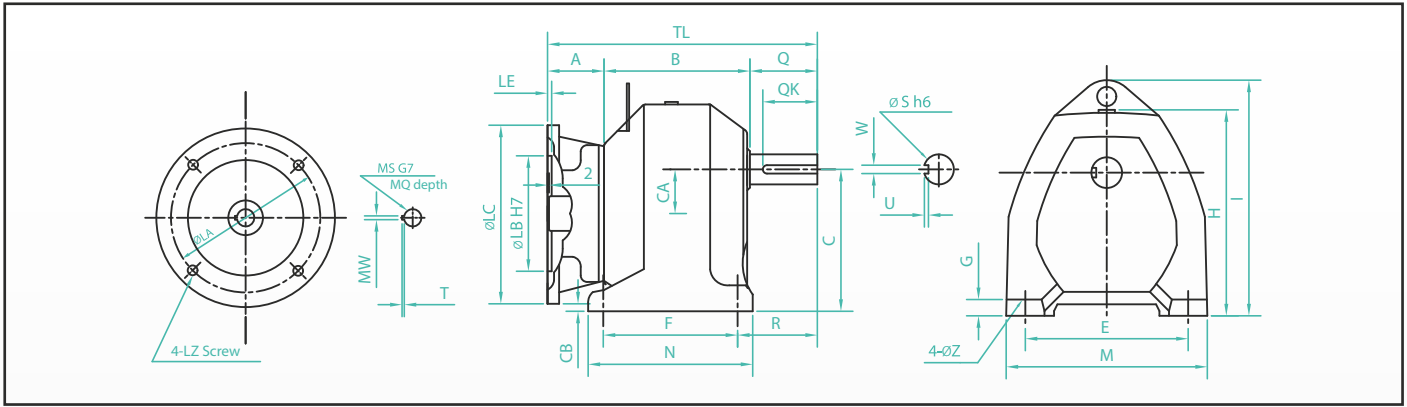
Type (AM) Foot Mounted Motor Mount Reducer



Class	MOTOR (kW)	Ratio	Frame	Dimension (mm)																	Mass (kg)					
				TL	A	B	C	CA	CB	E	F	G	H	I	M	N	R	Z	Shaft-End							
				Q	QK	S	W	U																		
1.50	5 10 15 20	AMD5M AMD10M AMD15M AMD20M	246	60	128	135	33	2	170	125	17	215	-	210	155	78	12	58	53	32	10	5	25			
	25 30	AME25M AME30M	257	60	139	150	34	16	190	140	22	237	-	245	180	83	15	58	53	38	10	5	32.5			
	45 50 60	AME45M AME50M AME60M	275	60	157	150	34	16	190	140	22	237	-	245	180	83	15	58	53	38	10	5	34			
	75 100	AMF75M AMF100M	313	60	171	180	42	38	220	160	25	283	-	280	200	107	19	82	77	42	12	5	45.5			
	130 150	AMH130M AMH150M	347	60	205	225	57	68	300	215	35	345	393	360	265	112	24	82	77	56	16	6	80			
	200	AMK200M	384	60	219	250	58	92	340	240	40	385	442	410	300	140	24	105	100	63	18	7	110			
2.20	5 10 15 20	AME5M AME10M AME15M AME20M	271	74	139	150	34	-9	190	140	22	237	-	245	180	83	15	58	53	38	10	5	36.5			
	25 30	AMF25M AMF30M	309	74	153	180	42	13	220	160	25	283	-	280	200	107	19	82	77	42	12	5	47			
	45 50 60	AMF45M AMF50M AMF60M	330	74	174	180	42	13	220	160	25	283	-	280	200	107	19	82	77	42	12	5	49.5			
	75 100	AMG75M AMG100M	344	74	188	200	47	28	270	195	32	315	362	330	235	107	19	82	77	48	14	5.5	69			
	130 150	AMK130M AMK150M	408	74	229	250	58	67	340	240	40	385	442	410	300	140	24	105	100	63	18	7	114			
	5 10 15	AMG5M AMG10M AMG15M	349	89	178	200	52	-2	270	195	32	315	362	330	235	107	19	82	77	48	14	5.5	72			
5.50	20	AMH20M	371	89	200	225	55	20	300	215	35	345	393	360	265	112	24	82	77	56	16	6	87			
	25 30	AMK25M AMK30M	402	89	208	250	58	42	340	240	40	385	442	410	300	140	24	105	100	63	18	7	112			
	45 50 60	AMK45M AMK50M AMK60M	436	89	242	250	60	40	340	240	40	385	442	410	300	140	24	105	100	63	18	7	122			
	5 10 15	AMH5M AMH10M AMH15M	371	89	200	225	55	20	300	215	35	345	393	360	265	112	24	82	77	56	16	6	96			
7.50	20	AMK20M	402	89	208	250	58	42	340	240	40	385	442	410	300	140	24	105	100	63	18	7	112			

* For Motor mounting dimension please refer table No. 5 on Page 20

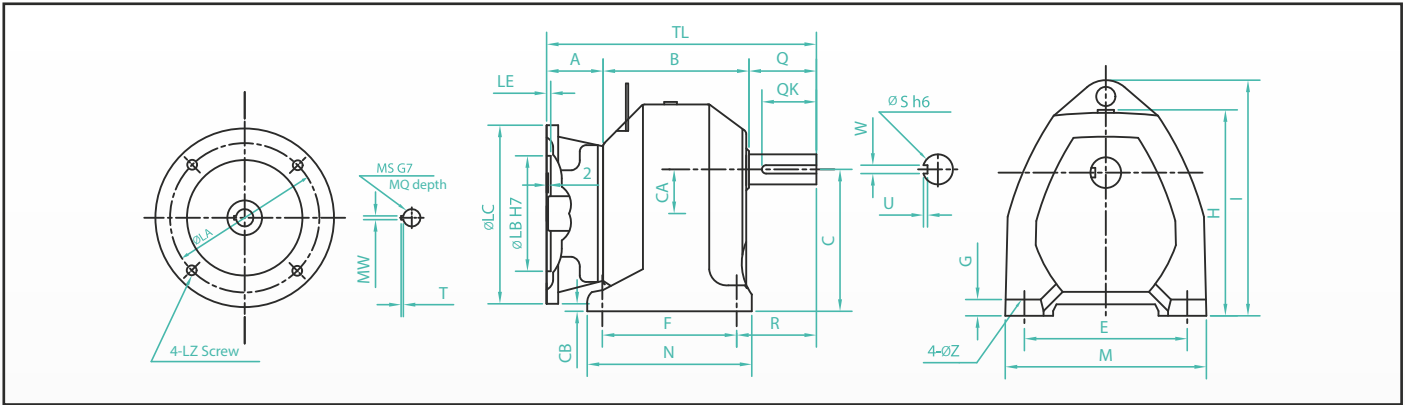
Type (AM) Foot Mounted Motor Mount Reducer



Class	MOTOR (kW)	Ratio	Frame	Dimension (mm)																	Mass (kg)			
				TL	A	B	C	CA	CB	E	F	G	H	I	M	N	R	Z	Shaft-End					
																			Q	QK		S	W	U
H	0.4	5 10 15 20	AMC5H AMC10H AMC15H AMC20H	187	47	104	120	26	14	140	90	14	185	-	170	120	54	12	36	31	24	8	4	11.5
		25 30	AMD25H AMD30H	221	47	116	135	33	22	170	125	17	215	-	210	155	78	12	58	53	32	10	5	21
		45 50 60 75	AMD45H AMD50H AMD60H AMD75H	235	47	130	135	33	22	170	125	17	215	-	210	155	78	12	58	53	32	10	5	22
		100 130 150	AME100H AME130H AME150H	250	47	145	150	34	36	190	140	22	237	-	245	180	83	15	58	53	38	10	5	30
		200	AMF200H	291	47	162	180	39	61	220	160	25	283	-	280	200	107	19	82	77	42	12	5	41.5
H	0.55	5 10 15 20	AMD5H AMD10H AMD15H AMD20H	246	60	128	135	33	2	170	125	17	215	-	210	155	78	12	58	53	32	10	5	22
		75	AMD75H	260	60	142	135	33	2	170	125	17	215	-	210	155	78	12	58	53	32	10	5	23
		25 30	AME25H AME30H	257	60	139	150	34	16	190	140	22	237	-	245	180	83	15	58	53	38	10	5	29.5
		45 50 60 75	AME45H AME50H AME60H AME75H	275	60	157	150	34	16	190	140	22	237	-	245	180	83	15	58	53	38	10	5	31
		100	AMF100H	313	60	171	180	42	38	220	160	25	283	-	280	200	107	19	82	77	42	12	5	42.5
H	0.75	5 10 15 20	AMD5H AMD10H AMD15H AMD20H	246	60	128	135	33	2	170	125	17	215	-	210	155	78	12	58	53	32	10	5	22
		75	AMD75H	260	60	142	135	33	2	170	125	17	215	-	210	155	78	12	58	53	32	10	5	23
		25 30	AME25H AME30H	257	60	139	150	34	16	190	140	22	237	-	245	180	83	15	58	53	38	10	5	29.5
		45 50 60 75	AME45H AME50H AME60H AME75H	275	60	157	150	34	16	190	140	22	237	-	245	180	83	15	58	53	38	10	5	31
		100	AMF100H	313	60	171	180	42	38	220	160	25	283	-	280	200	107	19	82	77	42	12	5	42.5
H	1.10	5 10 15 20	AME5H AME10H AME15H AME20H	257	60	139	150	34	16	190	140	22	237	-	245	180	83	15	58	53	38	10	5	32.5
		25 30	AMF25H AMF30H	292	60	150	180	42	38	220	160	25	283	-	280	200	107	19	82	77	42	12	5	43
		45 50 60	AMF45H AMF50H AMF60H	313	60	171	180	42	38	220	160	25	283	-	280	200	107	19	82	77	42	12	5	45.5
		75	AMG75H	333	60	191	200	47	53	270	195	32	315	362	330	235	107	19	82	77	48	14	5.5	65
		100 130 150	AMG100H AMG130H AMG150H	333	60	191	200	47	53	270	195	32	315	362	330	235	107	19	82	77	48	14	5.5	65

★ For Motor mounting dimension please refer table No. 5 on Page 20

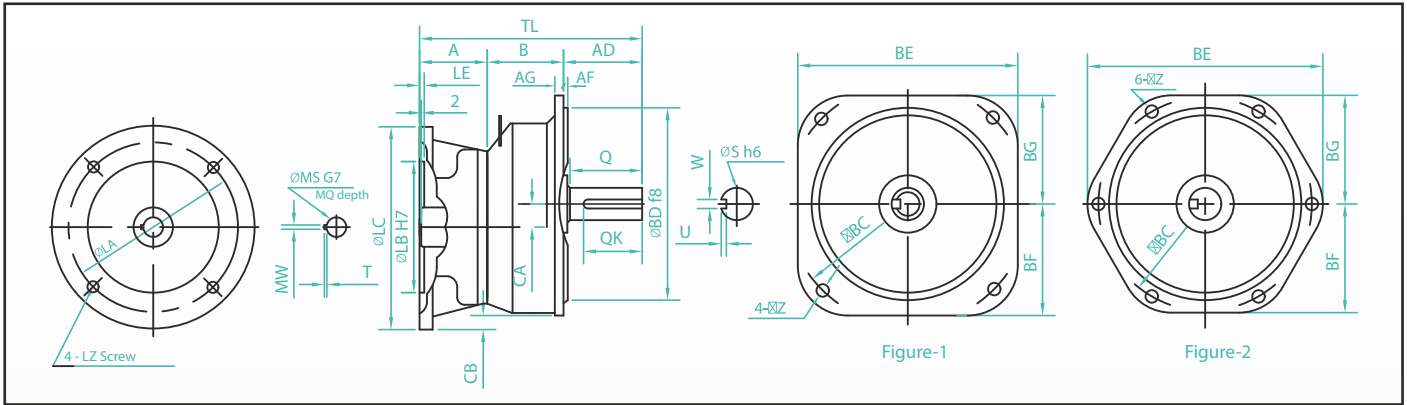
Type (AM) Foot Mounted Motor Mount Reducer



Class	MOTOR (kW)	Ratio	Frame	Dimension (mm)																	Mass (kg)																							
				TL	A	B	C	CA	CB	E	F	G	H	I	M	N	R	Z	Shaft-End																									
																					Q					QK	S	W	U															
H	1.50	5	AME5H	257	60	139	150	34	16	190	140	22	237	-	245	180	83	15	58	53	38	10	5	32.5																				
		10	AME10H																																									
		15	AME15H																																									
		20	AME20H																																									
		25	AMF25H																																									
		30	AMF30H																																									
	2.20	45	AMF45H	313	60	171	180	42	38	220	160	25	283	-	280	200	107	19	82	77	42	12	5	45.5																				
		50	AMF50H																																									
		60	AMF60H																																									
		75	AMG75H																																									
		100	AMG100H																																									
		130	AMG130H																																									
5.50	150	AMG150H	333	60	191	200	47	53	270	195	32	315	362	330	235	107	19	82	77	48	14	5.5	65																					
	5	AMF5H																						309	74	153	180	42	13	220	160	25	283	-	280	200	107	19	82	77	42	12	5	47
	10	AMF10H																																										
	15	AMF15H																																										
	20	AMF20H																																										
	25	AMG25H																																										
30	AMG30H																																											
5.50	45	AMG45H	344	74	188	200	47	28	270	195	32	315	362	330	235	107	19	82	77	48	14	5.5	69																					
	50	AMG50H																																										
	60	AMG60H																																										
	75	AMH75H																																										
	100	AMH100H																																										
	15	AMH15H																						371	89	200	225	55	20	300	215	35	345	393	360	265	112	24	82	77	56	16	6	96
10	AMH10H																																											
5	AMH5H																																											
20	AMK20H	402	89	208	250	58	42	340	240	40	385	442	410	300	140	24	105	100	63	18	7	112																						
15	AMH15H																																											

★ For Motor mounting dimension please refer table No. 5 on Page 20

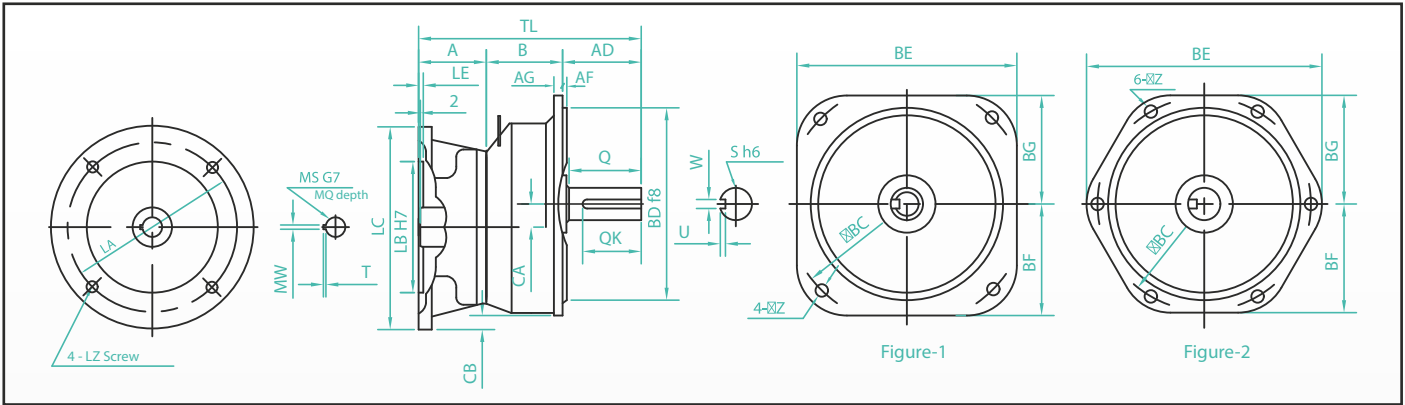
Type (AVM) Flange Mounted Motor Mount Reducer



Class	MOTOR (kW)	Ratio	Frame	Dimension (mm)																	Mass (kg)			
				TL	A	AD	AF	AG	B	CA	CB	Flange							Shaft-End					
												Fig.	BC	BD	BE	BF	BG	Z	Q	QK		S	W	U
L	0.40	5 10 15 20	AVMA5L AVMA10L AVMA15L AVMA20L	158	47	34	3	11	77	20	-10	1	160	140	160	90	80	10	28	23	18	6	3.5	6
		25 30	AVMB25L AVMB30L	179	47	42	3	11	90	22	-2	1	180	160	180	100	90	10	36	31	22	6	3.5	8.5
		45 50 60 75	AVMB45L AVMB50L AVMB60L AVMB75L	187	47	42	3	11	98	22	-2	1	180	160	180	100	90	10	36	31	22	6	3.5	9
		100 130 150	AVMC100L AVMC130L AVMC150L	201	47	42	3	12	112	26	9	1	225	180	210	115	105	12	36	31	24	8	4	11
		200	AVMD200L	235	47	66	3	16	122	33	17	1	270	230	260	130	130	15	58	53	32	10	5	23
		5 10 15 20	AVMB5L AVMB10L AVMB15L AVMB20L	187	55	42	3	11	90	22	-22	1	80	160	180	100	90	10	36	31	22	6	3.5	10.5
	0.55	25 30	AVMC25L AVMC30L	195	55	42	3	12	98	26	-11	1	225	180	210	115	105	12	36	31	24	8	4	12
		45 50 60 75	AVMC45L AVMC50L AVMC60L AVMC75L	209	55	42	3	12	112	26	-11	1	225	180	210	115	105	12	36	31	24	8	4	13
		100 130 150	AVMD100L AVMD130L AVMD150L	243	55	66	3	16	122	33	-3	1	270	230	260	130	130	15	58	53	32	10	5	25
		200	AVME200L	258	55	68	5	16	135	34	16	1	310	250	300	150	150	19	58	53	38	10	5	33.5
		5 10 15 20	AVMB5L AVMB10L AVMB15L AVMB20L	187	55	42	3	11	90	22	-22	1	80	160	180	100	90	10	36	31	22	6	3.5	10.5
		0.75	25 30	AVMC25L AVMC30L	195	55	42	3	12	98	26	-11	1	225	180	210	115	105	12	36	31	24	8	4
45 50 60 75	AVMC45L AVMC50L AVMC60L AVMC75L		209	55	42	3	12	112	26	-11	1	225	180	210	115	105	12	36	31	24	8	4	13	
100 130 150	AVMD100L AVMD130L AVMD150L		243	55	66	3	16	122	33	-3	1	270	230	260	130	130	15	58	53	32	10	5	25	
200	AVME200L		258	55	68	5	16	135	34	16	1	310	250	300	150	150	19	58	53	38	10	5	33.5	
5 10 15 20	AVMC5L AVMC10L AVMC15L AVMC20L		209	60	42	3	12	107	26	-11	1	225	180	210	115	105	12	36	31	24	8	4	13	
1.10	25 30		AVMD25L AVMD30L	246	60	66	3	16	120	33	-3	1	270	230	260	130	130	15	58	53	32	10	5	25
	45 50 60 75	AVMD45L AVMD50L AVMD60L AVMD75L	260	60	66	3	16	134	33	-3	1	270	230	260	130	130	15	58	53	32	10	5	26	
	100	AVME100L	275	60	68	5	16	147	34	16	1	310	250	300	150	150	19	58	53	38	10	5	34.5	
	130 150	AVMF130L AVMF150L	313	60	92	5	20	161	42	38	2	350	310	390	180	180	19	82	77	42	12	5	45.5	
	200	AVMG200L	333	60	92	5	20	181	47	48	2	380	340	420	195	195	19	82	77	48	14	5.5	66	

★ For Motor mounting dimension please refer table No. 5 on Page 20

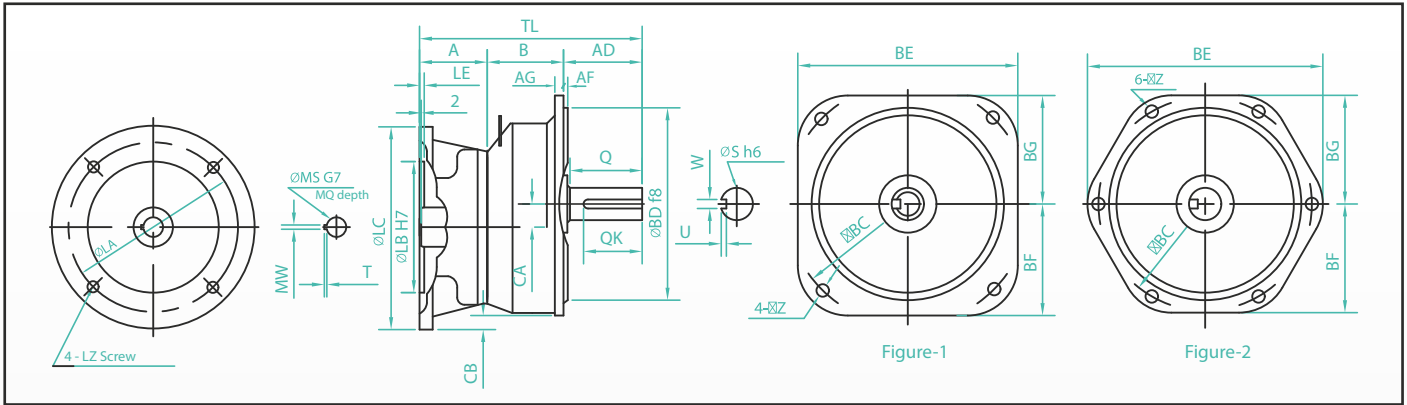
Type (AVM) Flange Mounted Motor Mount Reducer



Class	MOTOR (kW)	Ratio	Frame	Dimension (mm)																			Mass (kg)	
				TL	A	AD	AF	AG	B	CA	CB	Flange							Shaft-End					
												Fig.	BC	BD	BE	BF	BG	Z	Q	QK	S	W		U
L	1.50	5 10 15 20	AVMC5L AVMC10L AVMC15L AVMC20L	209	60	42	3	12	107	26	-11	1	225	180	210	115	105	12	36	31	24	8	4	13
		25 30	AVMD25L AVMD30L	246	60	66	3	16	120	33	-3	1	270	230	260	130	130	15	58	53	32	10	5	25
		45 50 60 75	AVMD45L AVMD50L AVMD60L AVMD75L	260	60	66	3	16	134	33	-3	1	270	230	260	130	130	15	58	53	32	10	5	26
		100	AVME100L	275	60	68	5	16	147	34	16	1	310	250	300	150	150	19	58	53	38	10	5	34.5
		130 150	AVMF130L AVMF150L	313	60	92	5	20	161	42	38	2	350	310	390	180	180	19	82	77	42	12	5	45.5
		200	AVMG200L	333	60	92	5	20	181	47	48	2	380	340	420	195	195	19	82	77	48	14	5.5	66
		L	2.20	5 10 15 20	AVMD5L AVMD10L AVMD15L AVMD20L	257	71	66	3	16	120	33	-28	1	270	230	260	130	130	15	58	53	32	10
25 30	AVME25L AVME30L			268	71	68	5	16	129	34	-9	1	310	250	300	150	150	19	58	53	38	10	5	36
45 50 60	AVME45L AVME50L AVME60L			286	71	68	5	16	147	34	-9	1	310	250	300	150	150	19	58	53	38	10	5	37.5
75 100	AVMF75L AVMF100L			324	71	92	5	20	161	42	13	2	350	310	390	180	180	19	82	77	42	12	5	48.5
130 150	AVMG130L AVMG150L			344	71	92	5	20	181	47	23	2	380	340	420	195	195	19	82	77	48	14	5.5	69
L	3.70			5 10 15 20	AVME5L AVME10L AVME15L AVME20L	271	74	68	5	16	129	34	-9	1	310	250	300	150	150	19	58	53	38	10
		25 30	AVMF25L AVMF30L	309	74	92	5	20	143	42	13	2	350	310	390	180	180	19	82	77	42	12	5	50
		45 50 60	AVMF45L AVMF50L AVMF60L	330	74	92	5	20	164	42	13	2	350	310	390	180	180	19	82	77	42	12	5	52.5
		75 100	AVMG75L AVMG100L	344	74	92	5	20	178	47	23	2	380	340	420	195	195	19	82	77	48	14	5.5	73

★ For Motor mounting dimension please refer table No. 5 on Page 20

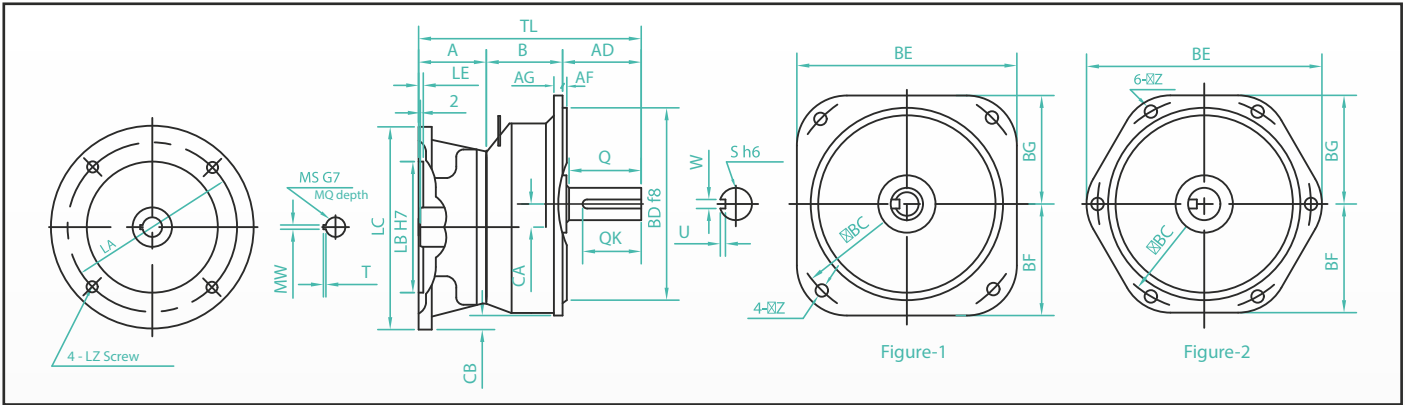
Type (AVM) Flange Mounted Motor Mount Reducer



Class	MOTOR (kW)	Ratio	Frame	Dimension (mm)																			Mass (kg)	
				TL	A	AD	AF	AG	B	CA	CB	Flange							Shaft-End					
												Fig.	BC	BD	BE	BF	BG	Z	Q	QK	S	W		U
S	0.40	5 10 15 20	AVMB5S AVMB10S AVMB15S AVMB20S	179	47	42	3	11	90	22	-2	1	180	160	180	100	90	10	36	31	22	6	3.5	8.5
		25 30	AVMC25S AVMC30S	187	47	42	3	12	98	26	9	1	225	180	210	115	105	12	36	31	24	8	4	10
		45 50 60 75	AVMC45S AVMC50S AVMC60S AVMC75S	201	47	42	3	12	112	26	9	1	225	180	210	115	105	12	36	31	24	8	4	11
		100 130 150	AVMD100S AVMD130S AVMD150S	235	47	66	3	16	122	33	17	1	270	230	260	130	130	15	58	53	32	10	5	23
		200	AVME200S	250	47	68	5	16	135	34	36	1	310	250	300	150	150	19	58	53	38	10	5	31.5
		0.55	5 10 15 20	AVMC5S AVMC10S AVMC15S AVMC20S	195	55	42	3	12	98	26	-11	1	225	180	210	115	105	12	36	31	24	8	4
	25 30		AVMD25S AVMD30S	229	55	66	3	16	108	33	-3	1	270	230	260	130	130	15	58	53	32	10	5	24
	45 50 60 75		AVMD45S AVMD50S AVMD60S AVMD75S	243	55	66	3	16	122	33	-3	1	270	230	260	130	130	15	58	53	32	10	5	25
	100 130 150		AVME100S AVME130S AVME150S	258	55	68	5	16	135	34	16	1	310	250	300	150	150	19	58	53	38	10	5	33.5
	200		AVMF200S	299	55	92	5	20	152	39	41	2	350	310	390	180	180	19	82	77	42	12	5	44.5
	0.75		5 10 15 20	AVMC5S AVMC10S AVMC15S AVMC20S	195	55	42	3	12	98	26	-11	1	225	180	210	115	105	12	36	31	24	8	4
		25 30	AVMD25S AVMD30S	229	55	66	3	16	108	33	-3	1	270	230	260	130	130	15	58	53	32	10	5	24
45 50 60 75		AVMD45S AVMD50S AVMD60S AVMD75S	243	55	66	3	16	122	33	-3	1	270	230	260	130	130	15	58	53	32	10	5	25	
100 130 150		AVME100S AVME130S AVME150S	258	55	68	5	16	135	34	16	1	310	250	300	150	150	19	58	53	38	10	5	33.5	
200		AVMF200S	299	55	92	5	20	152	39	41	2	350	310	390	180	180	19	82	77	42	12	5	44.5	
1.10		5 10 15 20	AVMD5S AVMD10S AVMD15S AVMD20S	246	60	66	3	16	120	33	-3	1	270	230	260	130	130	15	58	53	32	10	5	25
	25 30	AVME25S AVME30S	257	60	68	5	16	129	34	16	1	310	250	300	150	150	19	58	53	38	10	5	33	
	45 50 60 75	AVME45S AVME50S AVME60S AVME75S	275	60	68	5	16	147	34	16	1	310	250	300	150	150	19	58	53	38	10	5	34.5	
	100	AVMF100S	313	60	92	5	20	161	42	38	2	350	310	390	180	180	19	82	77	42	12	5	45.5	
	130 150	AVMG130S AVMG150S	333	60	92	5	20	181	47	48	2	380	340	420	195	195	19	82	77	48	14	5.5	66	

* For Motor mounting dimension please refer table No. 5 on Page 20

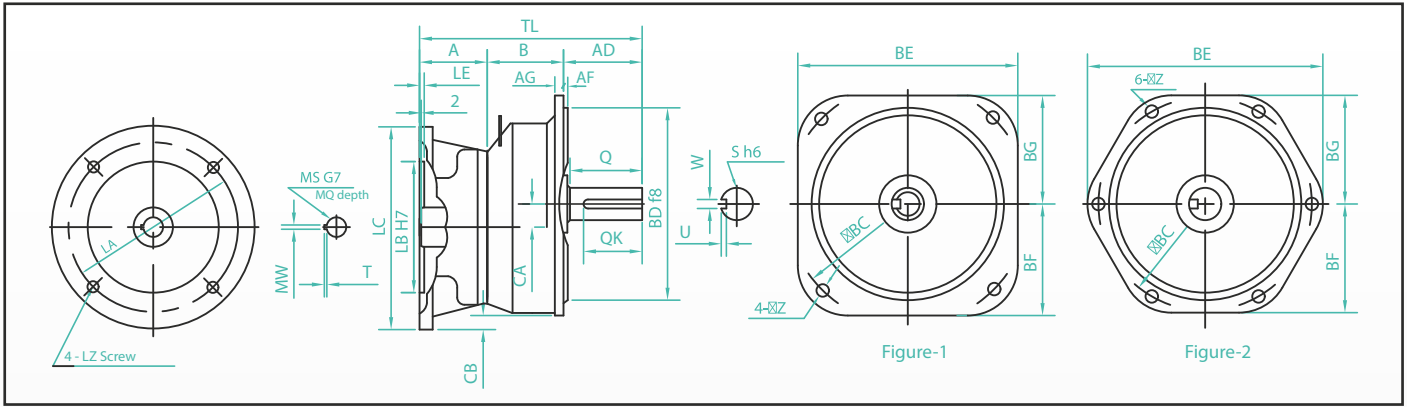
Type (AVM) Flange Mounted Motor Mount Reducer



Class	MOTOR (kW)	Ratio	Frame	Dimension (mm)																			Mass (kg)		
				TL	A	AD	AF	AG	B	CA	CB	Flange							Shaft-End						
												Fig.	BC	BD	BE	BF	BG	Z	Q	QK	S	W		U	
S	1.50	5 10 15 20	AVMD5S AVMD10S AVMD15S AVMD20S	246	60	66	3	16	120	33	-3	1	270	230	260	130	130	15	58	53	32	10	5	25	
		25 30	AVME25S AVME30S	257	60	68	5	16	129	34	16	1	310	250	300	150	150	19	58	53	38	10	5	33	
		45 50 60 75	AVME45S AVME50S AVME60S AVME75S	275	60	68	5	16	147	34	16	1	310	250	300	150	150	19	58	53	38	10	5	34.5	
		100	AVMF100S	313	60	92	5	20	161	42	38	2	350	310	390	180	180	19	82	77	42	12	5	45.5	
		130 150	AVMG130S AVMG150S	333	60	92	5	20	181	47	48	2	380	340	420	195	195	19	82	77	48	14	5.5	66	
		2.20	5 10 15 20	AVME5S AVME10S AVME15S AVME20S	268	71	68	5	16	129	34	-9	1	310	250	300	150	150	19	58	53	38	10	5	36
	25 30		AVMF25S AVMF30S	303	71	92	5	20	140	42	13	2	350	310	390	180	180	19	82	77	42	12	5	46	
	45 50 60		AVMF45S AVMF50S AVMF60S	324	71	92	5	20	161	42	13	2	350	310	390	180	180	19	82	77	42	12	5	48.5	
	75 100		AVMG75S AVMG100S	344	71	92	5	20	181	47	23	2	380	340	420	195	195	19	82	77	48	14	5.5	69	
	3.70		5 10 15 20	AVMF5S AVMF10S AVMF15S AVMF20S	309	74	92	5	20	143	42	13	2	350	310	390	180	180	19	82	77	42	12	5	50
			25 30	AVMG25S AVMG30S	318	74	92	5	20	152	47	23	2	380	340	420	195	195	19	82	77	48	14	5.5	68
		45 50 60	AVMG45S AVMG50S AVMG60S	344	74	92	5	20	178	47	23	2	380	340	420	195	195	19	82	77	48	14	5.5	73	
5.50	5 10 15	AVMF5S AVMF10S AVMF15S	334	91	92	5	20	151	42	-12	2	350	310	390	180	180	19	82	77	42	12	5	53		
	20	AVMG20S	346	91	92	5	20	163	52	-7	2	380	340	420	195	195	19	82	77	48	14	5.5	71		
7.50	5 10 15	AVMG5S AVMG10S AVMG15S	349	89	92	5	20	168	52	-7	2	380	340	420	195	195	19	82	77	48	14	5.5	76		

★ For Motor mounting dimension please refer table No. 5 on Page 20

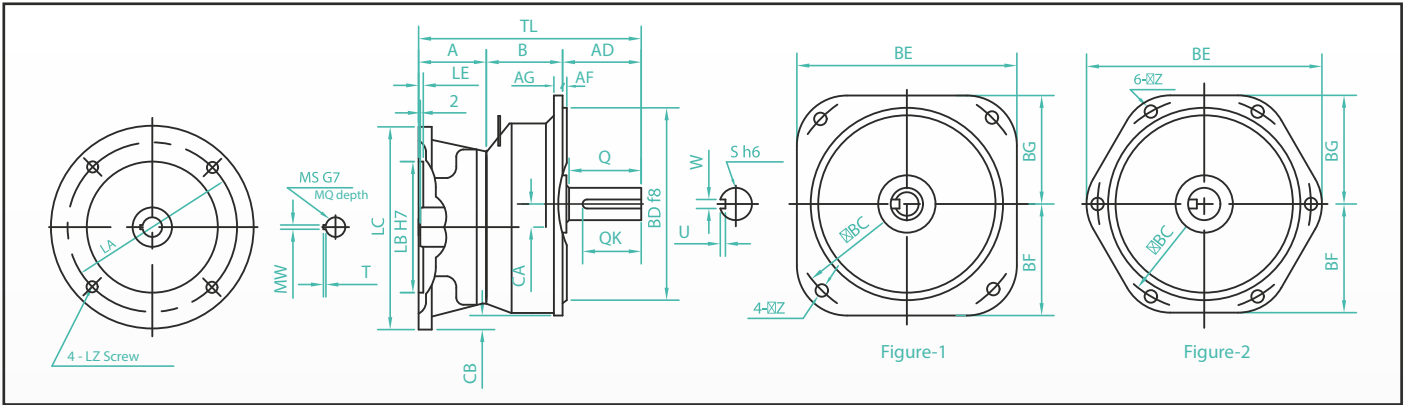
Type (AVM) Flange Mounted Motor Mount Reducer



Class	MOTOR (kW)	Ratio	Frame	Dimension (mm)																	Mass (kg)			
				TL	A	AD	AF	AG	B	CA	CB	Flange							Shaft-End					
												Fig.	BC	BD	BE	BF	BG	Z	Q	QK		S	W	U
M	0.4	5 10 15 20	AVMB5M AVMB10M AVMB15M AVMB20M	179	47	42	3	11	90	22	-2	1	80	160	180	100	90	10	36	31	22	6	3.5	10.5
		25 30	AVMC25M AVMC30M	187	47	42	3	12	98	26	9	1	225	180	210	115	105	12	36	31	24	8	4	12
		45 50 60 75	AVMC45M AVMC50M AVMC60M AVMC75M	201	47	42	3	12	112	26	9	1	225	180	210	115	105	12	36	31	24	8	4	13
		100 130 150	AVMD100M AVMD130M AVMD150M	235	47	66	3	16	122	33	17	1	270	230	260	130	130	15	58	53	32	10	5	25
		200	AVME200M	250	47	68	5	16	135	34	36	1	310	250	300	150	150	19	58	53	38	10	5	33.5
		0.55	5 10 15 20	AVMC5M AVMC10M AVMC15M AVMC20M	209	60	42	3	12	107	26	-11	1	225	180	210	115	105	12	36	31	24	8	4
	25 30		AVMD25M AVMD30M	246	60	66	3	16	120	33	-3	1	270	230	260	130	130	15	58	53	32	10	5	25
	45 50 60		AVMD45M AVMD50M AVMD60M	260	60	66	3	16	134	33	-3	1	270	230	260	130	130	15	58	53	32	10	5	26
	75 100		AVME75M AVME100M	275	60	68	5	16	147	34	16	1	310	250	300	150	150	19	58	53	38	10	5	34.5
	130 150		AVMF130M AVMF150M	313	60	92	5	20	161	42	38	2	350	310	390	180	180	19	82	77	42	12	5	45.5
	0.75		5 10 15 20	AVMC5M AVMC10M AVMC15M AVMC20M	209	60	42	3	12	107	26	-11	1	225	180	210	115	105	12	36	31	24	8	4
		25 30	AVMD25M AVMD30M	246	60	66	3	16	120	33	-3	1	270	230	260	130	130	15	58	53	32	10	5	25
45 50 60 75		AVMD45M AVMD50M AVMD60M AVMD75M	260	60	66	3	16	134	33	-3	1	270	230	260	130	130	15	58	53	32	10	5	26	
75 100		AVME75M AVME100M	275	60	68	5	16	147	34	16	1	310	250	300	150	150	19	58	53	38	10	5	34.5	
130 150		AVMF130M AVMF150M	313	60	92	5	20	161	42	38	2	350	310	390	180	180	19	82	77	42	12	5	45.5	
1.10		5 10 15 20	AVMD5M AVMD10M AVMD15M AVMD20M	246	60	66	3	16	120	33	-3	1	270	230	260	130	130	15	58	53	32	10	5	28
	25 30	AVME25M AVME30M	257	60	68	5	16	129	34	16	1	310	250	300	150	150	19	58	53	38	10	5	36	
	45 50 60	AVME45M AVME50M AVME60M	275	60	68	5	16	147	34	16	1	310	250	300	150	150	19	58	53	38	10	5	37.5	
	75 100	AVMF75M AVMF100M	313	60	92	5	20	161	42	38	2	350	310	390	180	180	19	82	77	42	12	5	48.5	

* For Motor mounting dimension please refer table No. 5 on Page 20

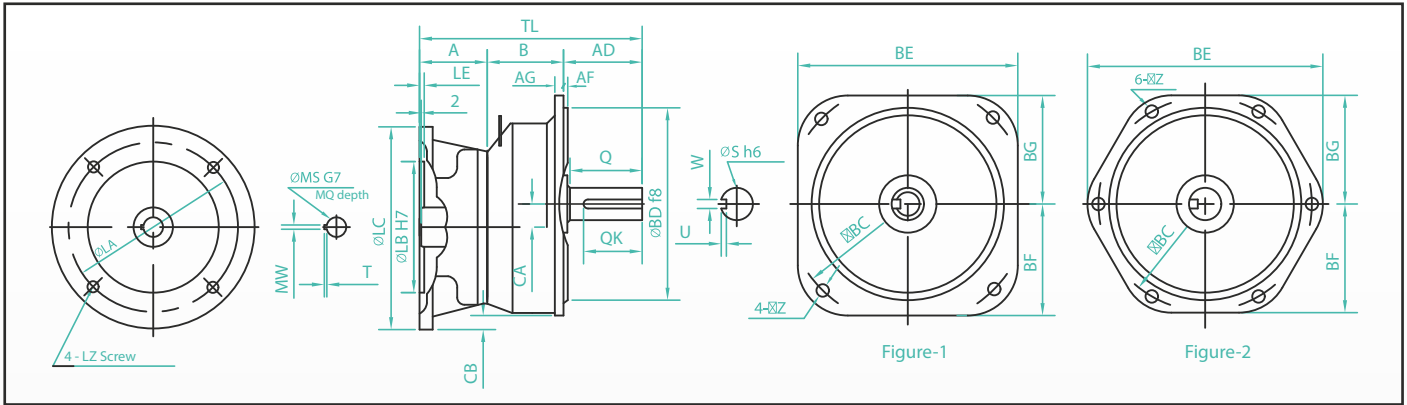
Type (AVM) Flange Mounted Motor Mount Reducer



Class	MOTOR (kW)	Ratio	Frame	Dimension (mm)																			Mass (kg)	
				TL	A	AD	AF	AG	B	CA	CB	Flange							Shaft-End					
												Fig.	BC	BD	BE	BF	BG	Z	Q	QK	S	W		U
M	1.50	5 10 15 20	AVMD5M AVMD10M AVMD15M AVMD20M	246	60	66	3	16	120	33	-3	1	270	230	260	130	130	15	58	53	32	10	5	28
		25 30	AVME25M AVME30M	257	60	68	5	16	129	34	16	1	310	250	300	150	150	19	58	53	38	10	5	36
		45 50 60	AVME45M AVME50M AVME60M	275	60	68	5	16	147	34	16	1	310	250	300	150	150	19	58	53	38	10	5	37.5
		75 100	AVMF75M AVMF100M	313	60	92	5	20	161	42	38	2	350	310	390	180	180	19	82	77	42	12	5	48.5
	2.20	5 10 15 20	AVME5M AVME10M AVME15M AVME20M	271	74	68	5	16	129	34	-9	1	310	250	300	150	150	19	58	53	38	10	5	40
		25 30	AVMF25M AVMF30M	309	74	92	5	20	143	42	13	2	350	310	390	180	180	19	82	77	42	12	5	50
		45 50 60	AVMF45M AVMF50M AVMF60M	330	74	92	5	20	164	42	13	2	350	310	390	180	180	19	82	77	42	12	5	52.5
		75 100	AVMG75M AVMG100M	344	74	92	5	20	178	47	23	2	380	340	420	195	195	19	82	77	48	14	5.5	73
	5.50	5 10 15	AVMG5M AVMG10M AVMG15M	349	89	92	5	20	168	52	-7	2	380	340	420	195	195	19	82	77	48	14	5.5	76

* For Motor mounting dimension please refer table No. 5 on Page 20

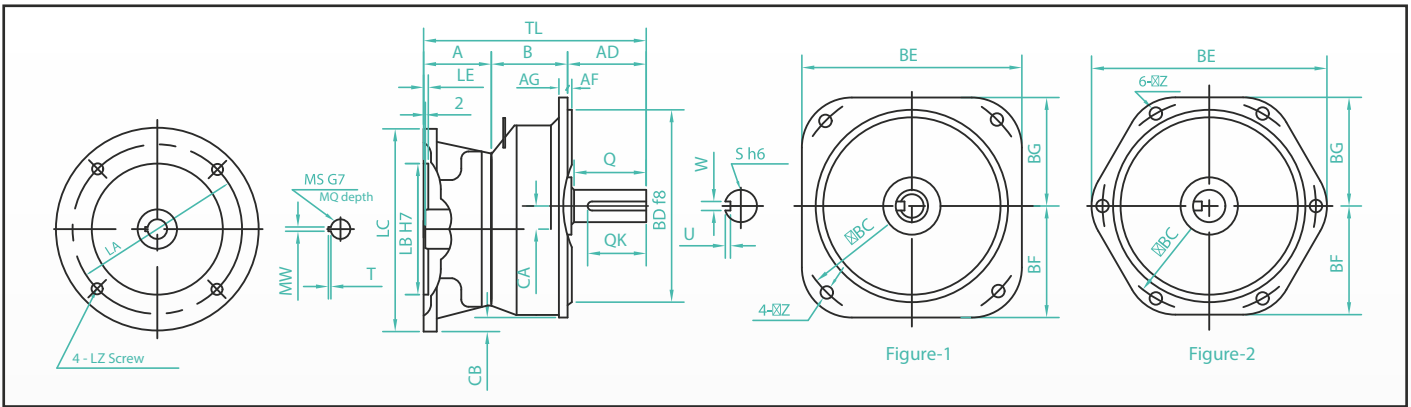
Type (AVM) Flange Mounted Motor Mount Reducer



Class	MOTOR (kW)	Ratio	Frame	Dimension (mm)																			Mass (kg)			
				TL	A	AD	AF	AG	B	CA	CB	Flange						Shaft-End								
												Fig.	BC	BD	BE	BF	BG	Z	Q	QK	S	W		U		
H	0.4	5 10 15 20	AVMC5H AVMC10H AVMC15H AVMC20H	187	47	42	3	12	98	26	9	1	225	180	210	115	105	12	36	31	24	8	4	12		
		25 30	AVMD25H AVMD30H	221	47	66	3	16	108	33	17	1	270	230	260	130	130	15	58	53	32	10	5	24		
		45 50 60 75	AVMD45H AVMD50H AVMD60H AVMD75H	235	47	66	3	16	122	33	17	1	270	230	260	130	130	15	58	53	32	10	5	25		
		100 130 150	AVME100H AVME130H AVME150H	250	47	68	5	16	135	34	36	1	310	250	300	150	150	19	58	53	38	10	5	33.5		
		200	AVMF200H	291	47	92	5	20	152	39	61	2	350	310	390	180	180	19	82	77	42	12	5	44.5		
		H	0.55	5 10 15 20	AVMD5H AVMD10H AVMD15H AVMD20H	246	60	66	3	16	120	33	-3	1	270	230	260	130	130	15	58	53	32	10	5	25
				25 30	AVME25H AVME30H	257	60	68	5	16	129	34	16	1	310	250	300	150	150	19	58	53	38	10	5	33
				45 50 60	AVME45H AVME50H AVME60H	275	60	68	5	16	147	34	16	1	310	250	300	150	150	19	58	53	38	10	5	34.5
				75	AVMD75H	260	60	66	3	16	134	33	-3	1	270	230	260	130	130	15	58	53	32	10	5	26
				100	AVMF100H	313	60	92	5	20	161	42	38	2	350	310	390	180	180	19	82	77	42	12	5	45.5
130 150 200	AVMG130H AVMG150H AVMG200H			333	60	92	5	20	181	47	48	2	380	340	420	195	195	19	82	77	48	14	5.5	66		
H	0.75			5 10 15 20	AVMD5H AVMD10H AVMD15H AVMD20H	246	60	66	3	16	120	33	-3	1	270	230	260	130	130	15	58	53	32	10	5	25
				25 30	AVME25H AVME30H	257	60	68	5	16	129	34	16	1	310	250	300	150	150	19	58	53	38	10	5	33
				45 50 60 75	AVME45H AVME50H AVME60H AVME75H	275	60	68	5	16	147	34	16	1	310	250	300	150	150	19	58	53	38	10	5	34.5
				100	AVMF100H	313	60	92	5	20	161	42	38	2	350	310	390	180	180	19	82	77	42	12	5	45.5
		130 150 200	AVMG130H AVMG150H AVMG200H	333	60	92	5	20	181	47	48	2	380	340	420	195	195	19	82	77	48	14	5.5	66		
		H	1.10	5 10 15 20	AVME5H AVME10H AVME15H AVME20H	257	60	68	5	16	129	34	16	1	310	250	300	150	150	19	58	53	38	10	5	36
				25 30	AVMF25H AVMF30H	292	60	92	5	20	140	42	38	2	350	310	390	180	180	19	82	77	42	12	5	46
				45 50 60 75	AVMF45H AVMF50H AVMF60H AVMG75H	313	60	92	5	20	161	42	38	2	350	310	390	180	180	19	82	77	42	12	5	48.5
				100	AVMG100H	333	60	92	5	20	181	47	48	2	380	340	420	195	195	19	82	77	48	14	5.5	69
				130 150 200	AVMG130H AVMG150H	333	60	92	5	20	181	47	48	2	380	340	420	195	195	19	82	77	48	14	5.5	69

* For Motor mounting dimension please refer table No. 5 on Page 20

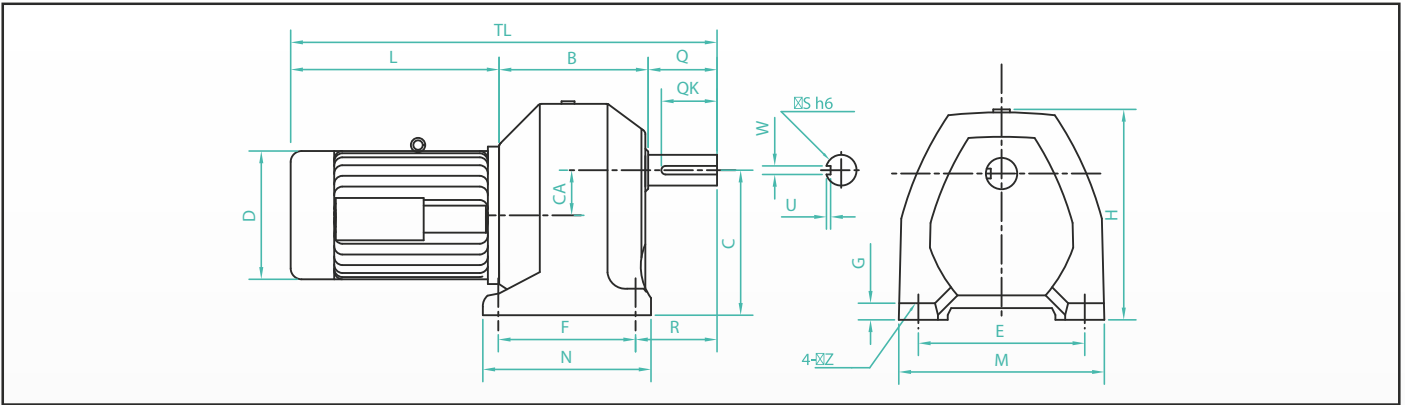
Type (AVM) Flange Mounted Motor Mount Reducer



Class	MOTOR (kW)	Ratio	Frame	Dimension (mm)																			Mass (kg)	
				TL	A	AD	AF	AG	B	CA	CB	Flange						Shaft-End						
												Fig.	BC	BD	BE	BF	BG	Z	Q	QK	S	W		U
H	1.50	5	AVME5H	257	60	68	5	16	129	34	16	1	310	250	300	150	150	19	58	53	38	10	5	36
		10	AVME10H																					
		15	AVME15H																					
		20	AVME20H																					
		25	AVMF25H																					
		30	AVMF30H																					
	1.50	45	AVMF45H	313	60	92	5	20	161	42	38	2	350	310	390	180	180	19	82	77	42	12	5	48.5
		50	AVMF50H																					
		60	AVMF60H																					
		75	AVMG75H																					
		100	AVMG100H																					
		130	AVMG130H																					
	150	AVMG150H																						
	2.20	5	AVMF005H	309	74	92	5	20	143	42	13	2	350	310	390	180	180	19	82	77	42	12	5	50
		10	AVMF010H																					
15		AVMF015H																						
20		AVMF020H																						
25		AVMG025H																						
30		AVMG030H																						
2.20	45	AVMG045H	344	74	92	5	20	178	47	23	2	380	340	420	195	195	19	82	77	48	14	5.5	73	
	50	AVMG050H																						
	60	AVMG060H																						

★ For Motor mounting dimension please refer table No. 5 on Page 20

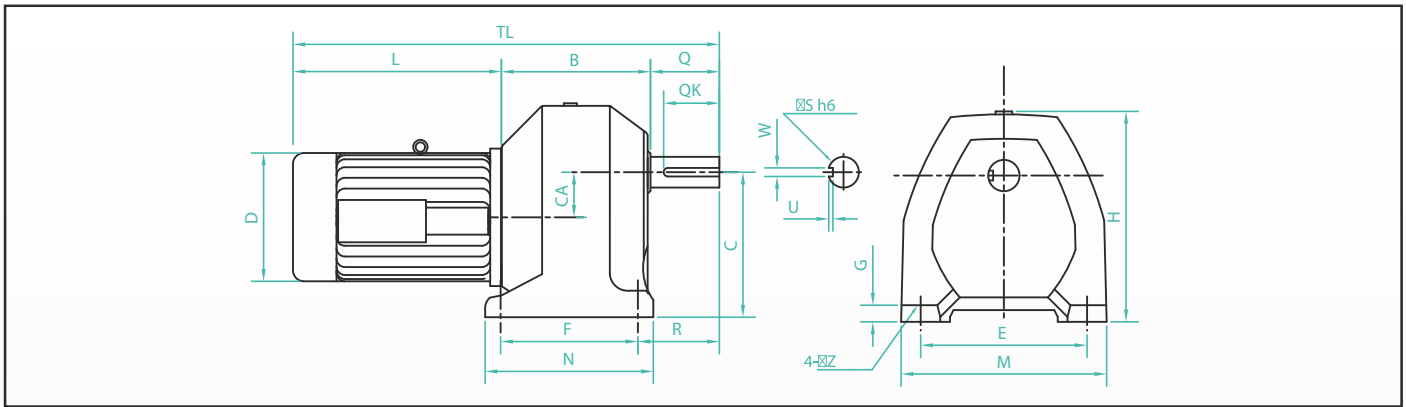
Type (AT) Foot Mounted Geared Motor



Class	MOTOR (kW)	Ratio	Frame	Dimension (mm)																	Mass (kg.)			
				TL	B	C	CA	E	F	G	H	I	M	N	R	Z	Shaft-End					Motor		
																	O	QK	S	W		U	D	L
L	0.40	5 10 15 20	ATA5L ATA10L ATA15L ATA20L	321	83	90	20	130	65	12	137	-	154	90	43.5	12	28	23	18	6	3.5	140	210	11.5
		25 30	ATB25L ATB30L	342	96	105	22	130	75	12	165	-	155	105	54	12	36	31	22	6	3.5	140	210	14
		45 50 60 75	ATB45L ATB50L ATB60L ATB75L	350	104	105	22	130	75	12	165	-	155	105	54	12	36	31	22	6	3.5	140	210	14.5
		100 130 150	ATC100L ATC130L ATC150L	364	118	120	26	140	90	14	185	-	170	120	54	12	36	31	24	8	4	140	210	16.5
		200	ATD200L	398	130	135	33	170	125	17	215	-	210	155	78	12	58	53	32	10	5	140	210	26
	0.55	5 10 15 20	ATB5L ATB10L ATB15L ATB20L	373	96	105	22	130	75	12	165	-	155	105	54	12	36	31	22	6	3.5	158	241	18.5
		25 30	ATC25L ATC30L	381	104	120	26	140	90	14	185	-	170	120	54	12	36	31	24	8	4	158	241	20
		45 50 60 75	ATC45L ATC50L ATC60L ATC75L	395	118	120	26	140	90	14	185	-	170	120	54	12	36	31	24	8	4	158	241	21.5
		100 130 150	ATD100L ATD130L ATD150L	429	130	135	33	170	125	17	215	-	210	155	78	12	58	53	32	10	5	158	241	30.5
		200	ATE200L	444	145	150	34	190	140	22	237	-	245	180	83	15	58	53	38	10	5	158	241	38.5
0.75	5 10 15 20	ATB5L ATB10L ATB15L ATB20L	373	96	105	22	130	75	12	165	-	155	105	54	12	36	31	22	6	3.5	158	241	19.5	
	25 30	ATC25L ATC30L	381	104	120	26	140	90	14	185	-	170	120	54	12	36	31	24	8	4	158	241	21	
	45 50 60 75	ATC45L ATC50L ATC60L ATC75L	395	118	120	26	140	90	14	185	-	170	120	54	12	36	31	24	8	4	158	241	22	
	100 130 150	ATD100L ATD130L ATD150L	429	130	135	33	170	125	17	215	-	210	155	78	12	58	53	32	10	5	158	241	31.5	
	200	ATE200L	444	145	150	34	190	140	22	237	-	245	180	83	15	58	53	38	10	5	158	241	40	
1.10	5 10 15 20	ATC5L ATC10L ATC15L ATC20L	443	113	120	26	140	90	14	185	-	170	120	54	12	36	31	24	8	4	180	294	25.5	
	25 30	ATD25L ATD30L	480	128	135	33	170	125	17	215	-	210	155	78	12	58	53	32	10	5	180	294	35	
	45 50 60 75	ATD45L ATD50L ATD60L ATD75L	494	142	135	33	170	125	17	215	-	210	155	78	12	58	53	32	10	5	180	294	36	
	100	ATE100L	509	157	150	34	190	140	22	237	-	245	180	83	15	58	53	38	10	5	180	294	44	
	130 150	ATF130L ATF150L	547	171	180	42	220	160	25	283	-	280	200	107	19	82	77	42	12	5	180	294	55.5	
	200	ATG200L	567	191	200	47	270	195	32	315	362	330	235	107	19	82	77	48	14	6	180	294	75	

* For Motor mounting dimension please refer table No. 5 on Page 20

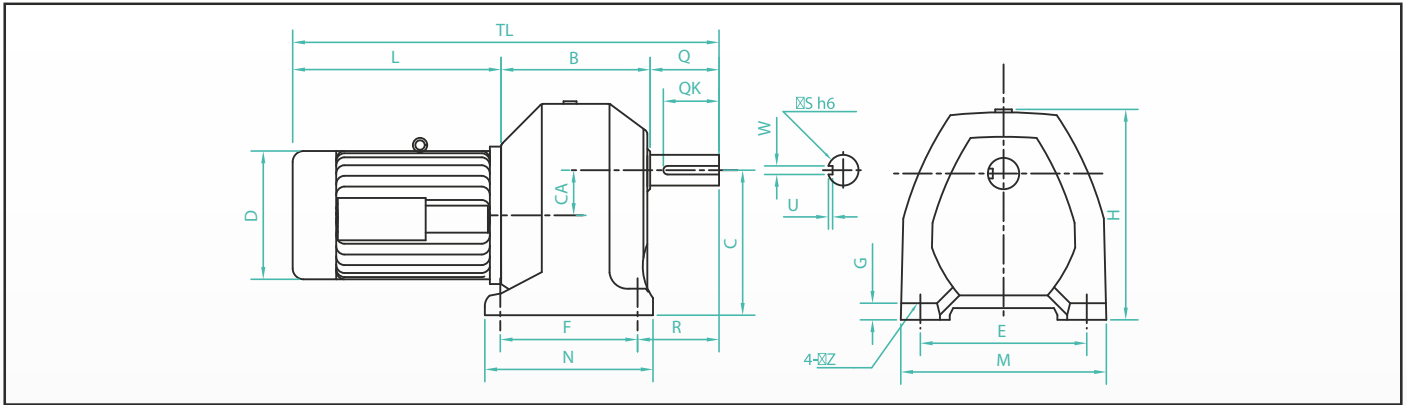
Type (AT) Foot Mounted Geared Motor



Class	MOTOR (kW)	Ratio	Frame	Dimension (mm)																	Mass (kg.)			
				TL	B	C	CA	E	F	G	H	I	M	N	R	Z	Shaft-End					Motor		
																	Q	QK	S	W		U	D	L
L	1.50	5 10 15 20	ATC5L ATC10L ATC15L ATC20L	443	113	120	26	140	90	14	185	-	170	120	54	12	36	31	24	8	4	180	294	27.5
		25 30	ATD25L ATD30L	480	128	135	33	170	125	17	215	-	210	155	78	12	58	53	32	10	5	180	294	37
		45 50 60 75	ATD45L ATD50L ATD60L ATD75L	494	142	135	33	170	125	17	215	-	210	155	78	12	58	53	32	10	5	180	294	38
		100	ATE100L	509	157	150	34	190	140	22	237	-	245	180	83	15	58	53	38	10	5	180	294	46
		130 150	ATF130L ATF150L	547	171	180	42	220	160	25	283	-	280	200	107	19	82	77	42	12	5	180	294	57.5
		200	ATG200L	567	191	200	47	270	195	32	315	362	330	235	107	19	82	77	48	14	6	180	294	77
	2.20	5 10 15 20	ATD5L ATD10L ATD15L ATD20L	500	128	135	33	170	125	17	215	-	210	155	78	12	58	53	32	10	5	198	314	45.5
		25 30	ATE25L ATE30L	511	139	150	34	190	140	22	237	-	245	180	83	15	58	53	38	10	5	198	314	53
		45 50 60	ATE45L ATE50L ATE60L	529	157	150	34	190	140	22	237	-	245	180	83	15	58	53	38	10	5	198	314	54.5
		75 100	ATF75L ATF100L	567	171	180	42	220	160	25	283	-	280	200	107	19	82	77	42	12	5	198	314	66
		130 150	ATG130L ATG150L	587	191	200	47	270	195	32	315	362	330	235	107	19	82	77	48	14	5.5	198	314	85.5
		3.70	5 10 15 20	ATE5L ATE10L ATE15L ATE20L	539	139	150	34	190	140	22	237	-	245	180	83	15	58	53	38	10	5	222	342
25 30	ATF25L ATF30L		577	153	180	42	220	160	25	283	320	280	200	107	19	82	77	42	12	5	222	342	74	
45 50 60	ATF45L ATF50L ATF60L		598	174	180	42	220	160	25	283	320	280	200	107	19	82	77	42	12	5	222	342	76.5	
75 100	ATG75L ATG100L		612	188	200	47	270	195	32	315	362	330	235	107	19	82	77	48	14	5.5	222	342	96	

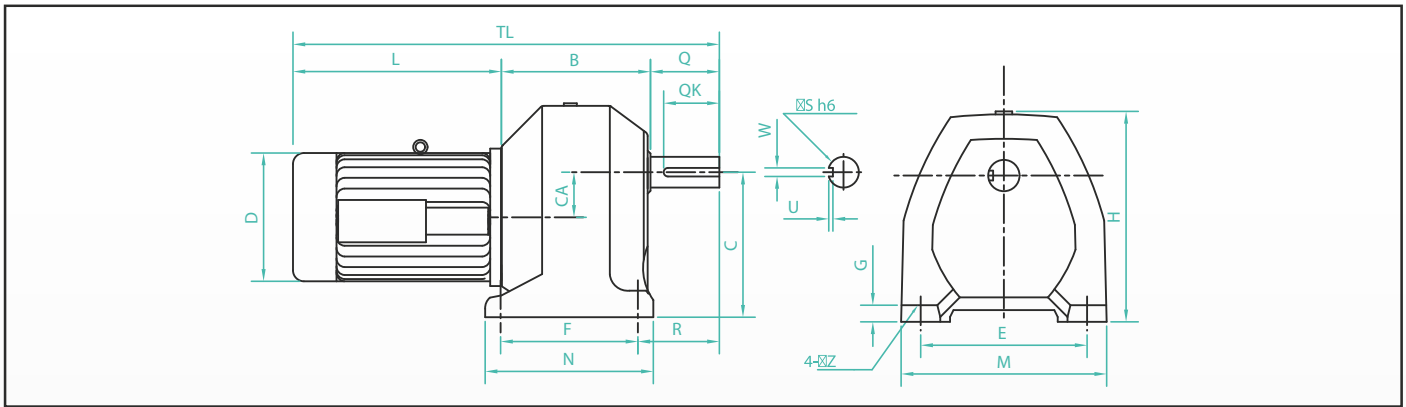
* For Motor mounting dimension please refer table No. 5 on Page 20

Type (AT) Foot Mounted Geared Motor



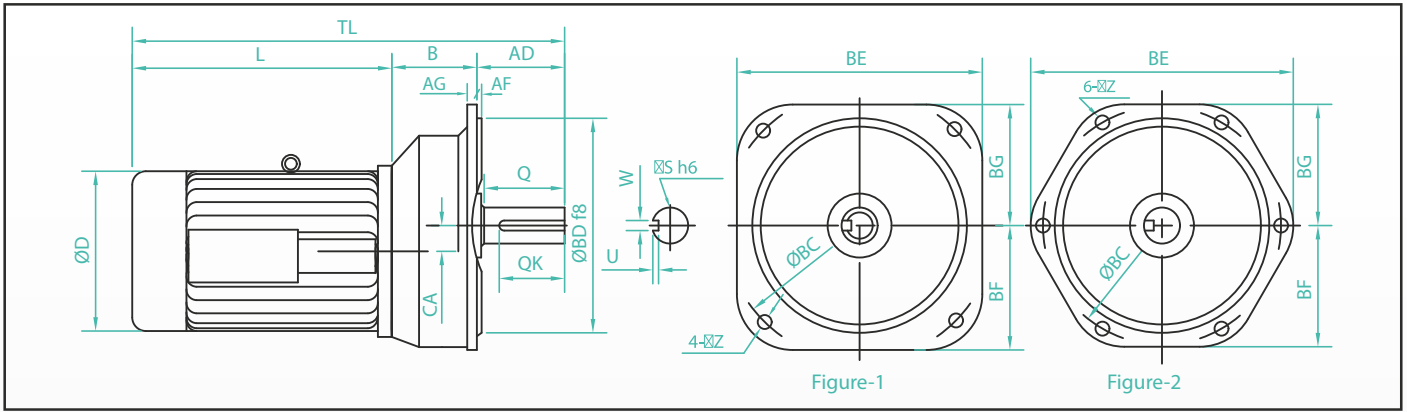
Class	MOTOR (kW)	Ratio	Frame	Dimension (mm)																	Mass (kg.)			
				TL	B	C	CA	E	F	G	H	I	M	N	R	Z	Shaft-End					Motor		
																	Q	QK	S	W		U	D	L
S	0.40	5 10 15 20	ATB5S ATB10S ATB15S ATB20S	342	96	105	22	130	75	12	165	-	155	105	54	12	36	31	22	6	3.5	140	210	14
		25 30	ATC25S ATC30S	350	104	120	26	140	90	14	185	-	170	120	54	12	36	31	24	8	4	140	210	15.5
		45 50 60 75	ATC45S ATC50S ATC60S ATC75S	364	118	120	26	140	90	14	185	-	170	120	54	12	36	31	24	8	4	140	210	16.5
		100 130 150	ATD100S ATD130S ATD150S	398	130	135	33	170	125	17	215	-	210	155	78	12	58	53	32	10	5	140	210	26
		200	ATE200S	413	145	150	34	190	140	22	237	-	245	180	83	15	58	53	38	10	5	140	210	34
	0.55	5 10 15 20	ATC5S ATC10S ATC15S ATC20S	381	104	120	26	140	90	14	185	-	170	120	54	12	36	31	24	8	4	158	241	20
		25 30	ATD25S ATD30S	415	116	135	33	170	125	17	215	-	210	155	78	12	58	53	32	10	5	158	241	29.5
		45 50 60 75	ATD45S ATD50S ATD60S ATD75S	429	130	135	33	170	125	17	215	-	210	155	78	12	58	53	32	10	5	158	241	30.5
		100 130 150	ATE100S ATE130S ATE150S	444	145	150	34	190	140	22	237	-	245	180	83	15	58	53	38	10	5	158	241	38.5
		200	ATF200S	485	162	180	39	220	160	25	283	-	280	200	107	19	82	77	42	12	5	158	241	50
0.75	5 10 15 20	ATC5S ATC10S ATC15S ATC20S	381	104	120	26	140	90	14	185	-	170	120	54	12	36	31	24	8	4	158	241	21	
	25 30	ATD25S ATD30S	415	116	135	33	170	125	17	215	-	210	155	78	12	58	53	32	10	5	158	241	30.5	
	45 50 60 75	ATD45S ATD50S ATD60S ATD75S	429	130	135	33	170	125	17	215	-	210	155	78	12	58	53	32	10	5	158	241	31.5	
	100 130 150	ATE100S ATE130S ATE150S	444	145	150	34	190	140	22	237	-	245	180	83	15	58	53	38	10	5	158	241	39.5	
	200	ATF200S	485	162	180	39	220	160	25	283	-	280	200	107	19	82	77	42	12	5	158	241	51	
1.10	5 10 15 20	ATD5S ATD10S ATD15S ATD20S	480	128	135	33	170	125	17	215	-	210	155	78	12	58	53	32	10	5	180	294	35	
	25 30	ATE25S ATE30S	491	139	150	34	190	140	22	237	-	245	180	83	15	58	53	38	10	5	180	294	42.5	
	45 50 60 75	ATE45S ATE50S ATE60S ATE75S	509	157	150	34	190	140	22	237	-	245	180	83	15	58	53	38	10	5	180	294	44	
	100	ATF100S	547	171	180	42	220	160	25	283	-	280	200	107	19	82	77	42	12	5	180	294	55.5	
	130 150	ATG130S ATG150S	567	191	200	47	270	195	32	315	362	330	235	107	19	82	77	48	14	5.5	180	294	75	
	200	ATH200S	443	113	120	26	140	90	14	185	-	170	120	54	12	36	31	24	8	4	180	294	27.5	
	1.50	5 10 15 20	ATD5S ATD10S ATD15S ATD20S	480	128	135	33	170	125	17	215	-	210	155	78	12	58	53	32	10	5	180	294	37
25 30		ATE25S ATE30S	491	139	150	34	190	140	22	237	-	245	180	83	15	58	53	38	10	5	180	294	44.5	

Type (AT) Foot Mounted Geared Motor



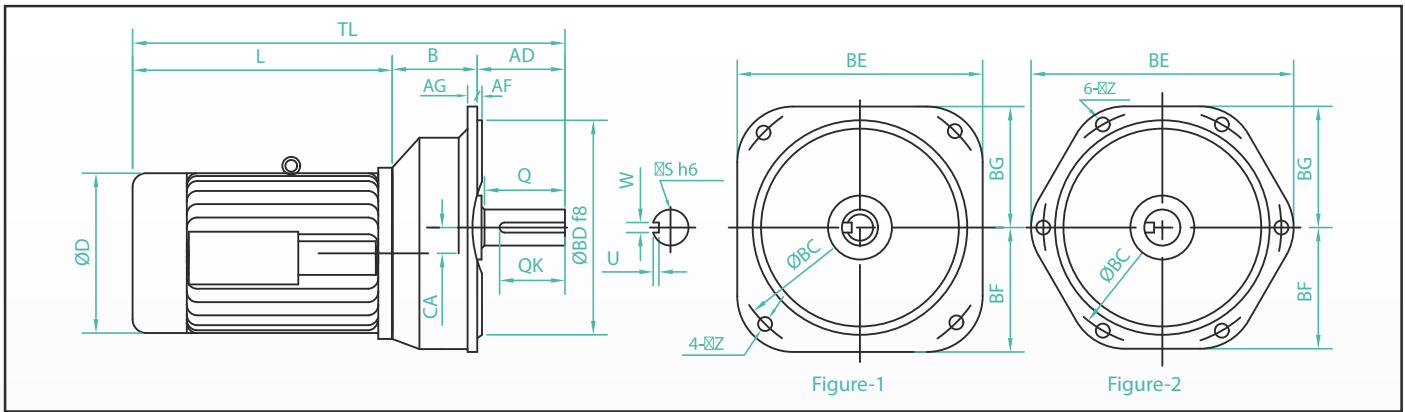
Class	MOTOR (kW)	Ratio	Frame	Dimension (mm)																			Mass (kg.)																						
				TL	B	C	CA	E	F	G	H	I	M	N	R	Z	Shaft-End					Motor																							
																	Q	QK	S	W	U	D		L																					
S	1.50	45	ATE45S	509	157	150	34	190	140	22	237	-	245	180	83	15	58	53	38	10	5	180	294	46																					
		50	ATE50S																																										
		60	ATE60S																																										
		75	ATE75S																																										
		100	ATF100S																						547	171	180	42	220	160	25	283	-	280	200	107	19	82	77	42	12	5	180	294	57.5
130	ATG130S	567	191	200	47	270	195	32	315	362	330	235	107	19	82	77	48	14	5.5	180	294	77																							
150	ATG150S																																												
	200	ATH200S	581	205	225	57	300	215	35	345	396	360	265	112	24	82	77	56	16	6	180	294	92																						
S	2.20	5	ATE5S	511	139	150	34	190	140	22	237	-	245	180	83	15	58	53	38	10	5	198	314	53																					
		10	ATE10S																																										
		15	ATE15S																																										
		20	ATE20S																																										
		25	ATF25S																						546	150	180	42	220	160	25	283	-	280	200	107	19	82	77	42	12	5	198	314	63.5
		30	ATF30S																																										
		45	ATF45S																						567	171	180	42	220	160	25	283	-	280	200	107	19	82	77	42	12	5	198	314	66
50	ATF50S																																												
60	ATF60S																																												
75	ATG75S	587	191	200	47	270	195	32	315	362	330	235	107	19	82	77	48	14	5.5	198	314	85.5																							
100	ATG100S																																												
130	ATH130S	601	205	225	57	300	215	35	345	393	360	265	112	24	82	77	56	16	6	198	314	100.5																							
150	ATH150S																																												
	200	ATK200S	638	219	250	58	340	240	40	385	442	410	300	140	24	105	100	63	18	7	198	314	130.5																						
S	3.70	5	ATF5S	577	153	180	42	220	160	25	283	320	280	200	107	19	82	77	42	12	5	222	342	74																					
		10	ATF10S																																										
		15	ATF15S																																										
		20	ATF20S																																										
		25	ATG25S																						586	162	200	47	270	195	32	315	362	330	235	107	19	82	77	48	14	5.5	222	342	91
		30	ATG30S																																										
		45	ATG45S																						612	188	200	47	270	195	32	315	362	330	235	107	19	82	77	48	14	5.5	222	342	96
50	ATG50S																																												
60	ATG60S																																												
75	ATH75S	635	211	225	57	300	215	35	345	393	360	265	112	24	82	77	56	16	6	222	342	111																							
100	ATH100S																																												
130	ATK130S	676	229	250	58	340	240	40	385	442	410	300	140	24	105	100	63	18	7	222	342	141																							
150	ATK150S																																												
S	5.50	5	ATF5S	639	161	180	42	220	160	25	283	320	280	200	107	19	82	77	42	12	5	262	396	94																					
		10	ATF10S																																										
		15	ATF15S																																										
		20	ATG20S																						651	173	200	52	270	195	32	315	362	330	235	107	19	82	77	48	14	5.5	262	396	111
		25	ATH25S																						673	195	225	55	300	215	35	345	393	360	265	112	24	82	77	56	16	6	262	396	126
		30	ATH30S																																										
		45	ATH45S																																										
50	ATH50S	697	219	225	57	300	215	35	345	393	360	265	112	24	82	77	56	16	6	262	396	131																							
60	ATH60S																																												
75	ATK75S	738	237	250	60	340	240	40	385	442	410	300	140	24	105	100	63	18	7	262	396	161																							
100	ATK100S																																												
S	7.50	5	ATG5S	700	178	200	52	270	195	32	315	362	330	235	107	19	82	77	48	14	5.5	262	440	117																					
		10	ATG10S																																										
		15	ATG15S																																										
		20	ATH20S																						722	200	225	55	300	215	35	345	393	360	265	112	24	82	77	56	16	6	262	440	132
		25	ATK25S																						753	208	250	58	340	240	40	385	442	410	300	140	24	105	100	63	18	7	262	440	157
30	ATK30S																																												
45	ATK45S	787	242	250	60	340	240	40	385	442	410	300	140	24	105	100	63	18	7	262	440	167																							
50	ATK50S																																												
60	ATK60S																																												
S	11.00	5	ATH5S	769	200	225	55	300	215	35	345	393	360	265	112	24	82	77	56	16	6	314	487	172																					
		10	ATH10S																																										
		15	ATH15S																																										
	20	ATK20S	800	208	250	58	340	240	40	385	442	410	300	140	24	105	100	63	18	7	314	487	197																						

Type (AVT) Foot Mounted Geared Motor



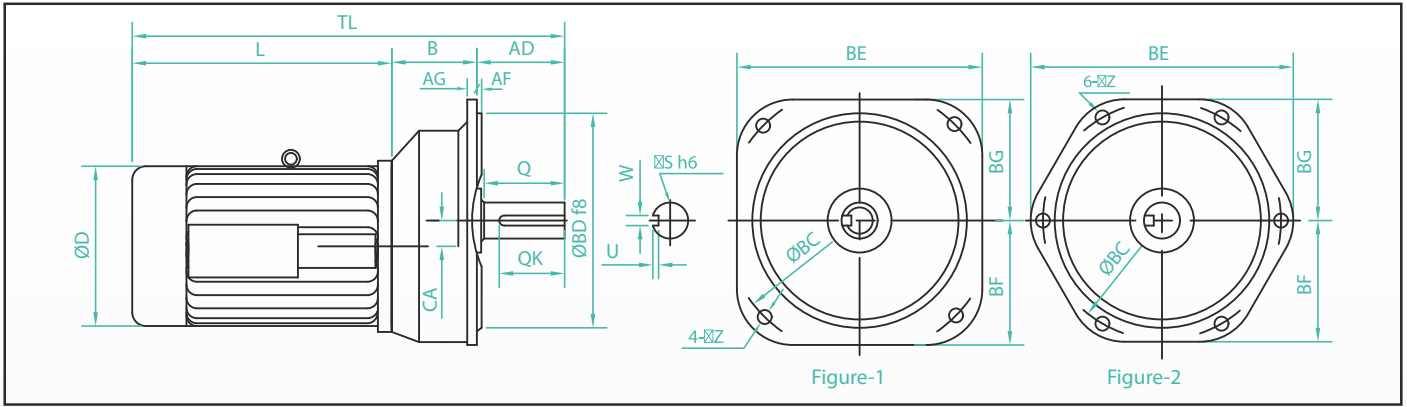
Class	MOTOR (KW)	Ratio	Frame	Dimension (mm)																		Mass (Kg.)		
				TL	AD	AF	AG	B	CA	Flange						Shaft-End							Motor	
										Fig.	BC	BD	BE	BF	BG	Z	Q	QK	S	W	U		D	L
L	0.40	5	AVTA5L	321	34	3	11	77	20	1	160	140	160	90	80	10	28	23	18	6	3.5	140	210	12
		10	AVTA10L																					
		15	AVTA15L																					
		20	AVTA20L																					
		25	AVTB25L																					
	0.55	30	AVTB30L	381	42	3	12	98	26	1	225	180	210	115	105	12	36	31	24	8	4	158	241	20.5
		45	AVTB45L																					
		50	AVTB50L																					
		60	AVTB60L																					
		75	AVTB75L																					
	0.75	100	AVTC100L	429	66	3	12	112	26	1	225	180	210	115	105	12	36	31	24	8	4	158	241	21.5
		130	AVTC130L																					
		150	AVTC150L																					
		200	AVTC200L																					
		250	AVTE200L																					
	1.10	5	AVTB5L	373	42	3	11	90	22	1	80	160	180	100	90	10	36	31	22	6	3.5	158	241	19
		10	AVTB10L																					
		15	AVTB15L																					
		20	AVTB20L																					
		25	AVTC25L																					
1.50	30	AVTC30L	443	42	3	12	107	26	1	225	180	210	115	105	12	36	31	24	8	4	180	294	26	
	45	AVTC45L																						
	50	AVTC50L																						
	60	AVTC60L																						
	75	AVTC75L																						
1.10	100	AVTD100L	480	66	3	16	120	33	1	270	230	260	130	130	15	58	53	32	10	5	180	294	38	
	130	AVTD130L																						
	150	AVTD150L																						
	200	AVTE200L																						
	250	AVTE250L																						
1.50	5	AVTC5L	509	68	5	16	147	34	1	310	250	300	150	150	19	58	53	38	10	5	180	294	48	
	10	AVTC10L																						
	15	AVTC15L																						
	20	AVTC20L																						
	25	AVTD25L																						
1.50	30	AVTD30L	547	92	5	20	161	42	2	350	310	390	180	180	19	82	77	42	12	5	180	294	58.5	
	45	AVTD45L																						
	50	AVTD50L																						
	60	AVTD60L																						
	75	AVTD75L																						
1.50	100	AVTE100L	567	92	5	20	181	47	2	380	340	420	195	195	19	82	77	48	14	6	180	294	81	
	130	AVTF130L																						
	150	AVTF150L																						
	200	AVTG200L																						
	250	AVTG250L																						

Type (AVT) Foot Mounted Geared Motor



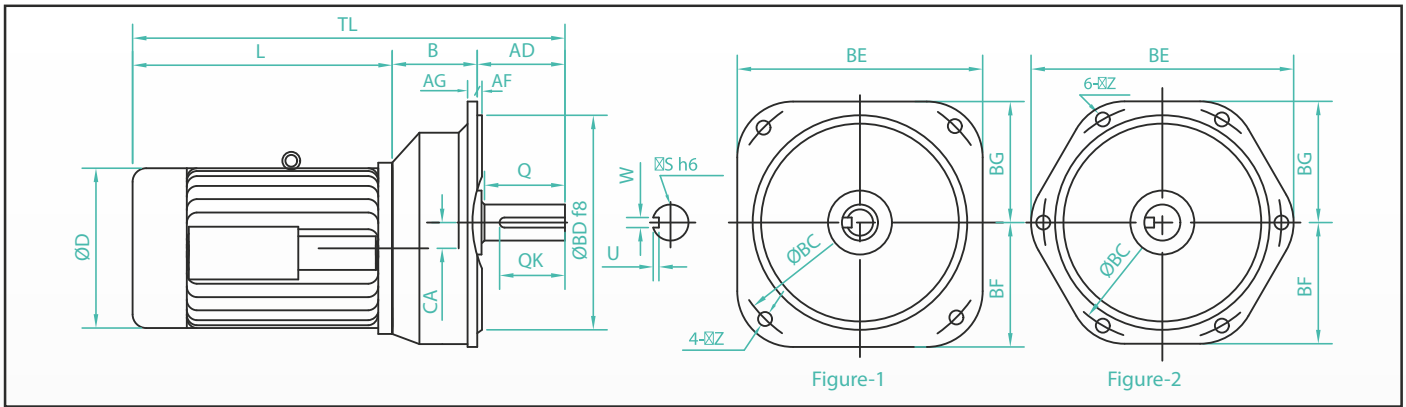
Class	MOTOR (kW)	Ratio	Frame	Dimension (mm)																			Mass (Kg.)		
				TL	AD	AF	AG	B	CA	Flange						Shaft-End					Motor				
										Fig.	BC	BD	BE	BF	BG	Z	Q	QK	S	W	U	D		L	
L	1.50	25	AVTD25L	480	66	3	16	120	33	1	270	230	260	130	130	15	58	53	32	10	5	180	294	40	
		30	AVTD30L																						
		45	AVTD45L	494	66	3	16	134	33	1	270	230	260	130	130	15	58	53	32	10	5	180	294	41	
		50	AVTD50L																						
		60	AVTD60L																						
		75	AVTD75L																						
L	2.20	100	AVTE100L	509	68	5	16	147	34	1	310	250	300	150	150	19	58	53	38	10	5	180	294	50	
		130	AVTF130L	547	92	5	20	161	42	2	350	310	390	180	180	19	82	77	42	12	5	180	294	60.5	
		150	AVTF150L																						
		200	AVTG200L	567	92	5	20	181	47	2	380	340	420	195	195	19	82	77	48	14	6	180	294	81	
		5	AVTD5L	500	66	3	16	120	33	1	270	230	260	130	130	15	58	53	32	10	5	198	314	48.5	
		10	AVTD10L																						
L	3.70	15	AVTD15L	511	68	5	16	129	34	1	310	250	300	150	150	19	58	53	38	10	5	198	314	56.5	
		20	AVTD20L																						
		25	AVTE25L	529	68	5	16	147	34	1	310	250	300	150	150	19	58	53	38	10	5	198	314	58	
		30	AVTE30L																						
		45	AVTE45L	567	92	5	20	161	42	2	350	310	390	180	180	19	82	77	42	12	5	198	314	69	
		50	AVTE50L																						
L	3.70	60	AVTE60L	587	92	5	20	181	47	2	380	340	420	195	195	19	82	77	48	14	5.5	198	314	89.5	
		75	AVTF75L																						
		100	AVTF100L																						
		130	AVTG130L	539	68	5	16	129	34	1	310	250	300	150	150	19	58	53	38	10	5	222	342	67	
		150	AVTG150L																						
		25	AVTF25L	577	92	5	20	143	42	2	350	310	390	180	180	19	82	77	42	12	5	222	342	77	
L	3.70	30	AVTF30L																						
		45	AVTF45L	598	92	5	20	164	42	2	350	310	390	180	180	19	82	77	42	12	5	222	342	79.5	
		50	AVTF50L																						
		60	AVTF60L																						
L	3.70	75	AVTG75L	612	92	5	20	178	47	2	380	340	420	195	195	19	82	77	48	14	5.5	222	342	100	
		100	AVTG100L																						

Type (AVT) Foot Mounted Geared Motor



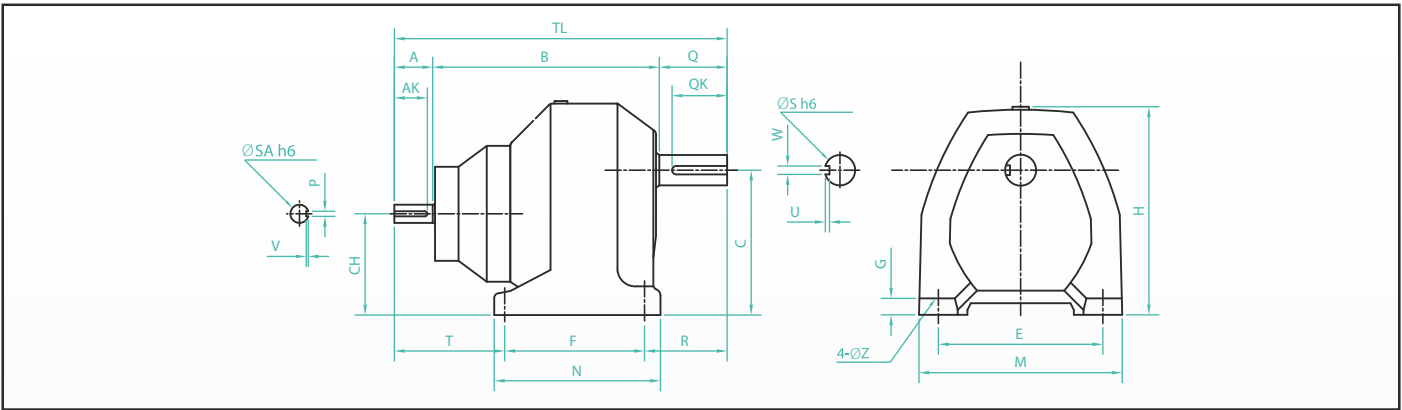
Class	MOTOR (kW)	Ratio	Frame	Dimension (mm)																			Mass (Kg.)	
				TL	AD	AF	AG	B	CA	Flange						Shaft-End						Motor		
										Fig.	BC	BD	BE	BF	BG	Z	Q	QK	S	W	U	D		L
S	0.40	5 10 15 20	AVTB5S AVTB10S AVTB15S AVTB20S	342	42	3	11	90	22	1	180	160	180	100	90	10	36	31	22	6	3.5	140	210	14.5
		25 30	AVTC25S AVTC30S	350	42	3	12	98	26	1	225	180	210	115	105	12	36	31	24	8	4	140	210	16
		45 50 60 75	AVTC45S AVTC50S AVTC60S AVTC75S	364	42	3	12	112	26	1	225	180	210	115	105	12	36	31	24	8	4	140	210	17
		100 130 150	AVTD100S AVTD130S AVTD150S	398	66	3	16	122	33	1	270	230	260	130	130	15	58	53	32	10	5	140	210	29
		200	AVTE200S	413	68	5	16	135	34	1	310	250	300	150	150	19	58	53	38	10	5	140	210	38
		0.55	5 10 15 20	AVTC5S AVTC10S AVTC15S AVTC20S	381	42	3	12	98	26	1	225	180	210	115	105	12	36	31	24	8	4	158	241
	25 30		AVTD25S AVTD30S	415	66	3	16	108	33	1	270	230	260	130	130	15	58	53	32	10	5	158	241	32.5
	45 50 60 75		AVTD45S AVTD50S AVTD60S AVTD75S	429	66	3	16	122	33	1	270	230	260	130	130	15	58	53	32	10	5	158	241	33.5
	100 130 150		AVTE100S AVTE130S AVTE150S	444	68	5	16	135	34	1	310	250	300	150	150	19	58	53	38	10	5	158	241	42
	200		AVTF200S	485	92	5	20	152	39	2	350	310	390	180	180	19	82	77	42	12	5	158	241	54
	0.75		5 10 15 20	AVTC5S AVTC10S AVTC15S AVTC20S	381	42	3	12	98	26	1	225	180	210	115	105	12	36	31	24	8	4	158	241
		25 30	AVTD25S AVTD30S	415	66	3	16	108	33	1	270	230	260	130	130	15	58	53	32	10	5	158	241	33.5
		45 50 60 75	AVTD45S AVTD50S AVTD60S AVTD75S	429	66	3	16	122	33	1	270	230	260	130	130	15	58	53	32	10	5	158	241	34.5
		100 130 150	AVTE100S AVTE130S AVTE150S	444	68	5	16	135	34	1	310	250	300	150	150	19	58	53	38	10	5	158	241	43
		200	AVTF200S	485	92	5	20	152	39	2	350	310	390	180	180	19	82	77	42	12	5	158	241	54.5
1.10		5 10 15 20	AVTD5S AVTD10S AVTD15S AVTD20S	480	66	3	16	120	33	1	270	230	260	130	130	15	58	53	32	10	5	180	294	38
	25 30	AVTE25S AVTE30S	491	68	5	16	129	34	1	310	250	300	150	150	19	58	53	38	10	5	180	294	46	
	45 50 60 75	AVTE45S AVTE50S AVTE60S AVTE75S	509	68	5	16	147	34	1	310	250	300	150	150	19	58	53	38	10	5	180	294	47.5	
	100	AVTF100S	547	92	5	20	161	42	2	350	310	390	180	180	19	82	77	42	12	5	180	294	59	
	130 150	AVTG130S AVTG150S	567	92	5	20	181	47	2	380	340	420	195	195	19	82	77	48	14	5.5	180	294	79	

Type (AVT) Foot Mounted Geared Motor



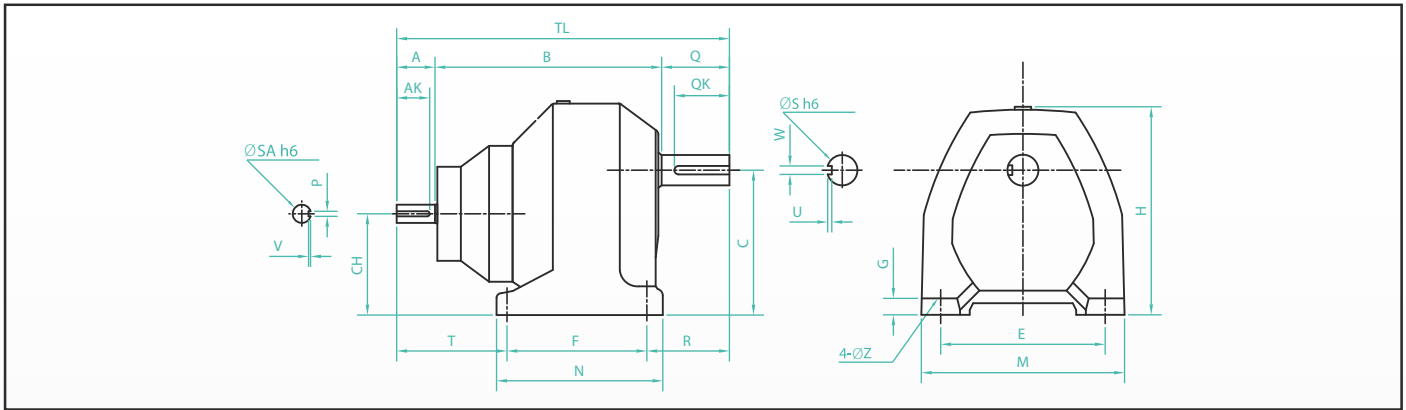
Class	MOTOR (kW)	Ratio	Frame	Dimension (mm)																		Mass (Kg.)		
				TL	AD	AF	AG	B	CA	Flange						Shaft-End					Motor			
										Fig.	BC	BD	BE	BF	BG	Z	Q	QK	S	W	U		D	L
S	1.50	5	AVTD5S	480	66	3	16	120	33	1	270	230	260	130	130	15	58	53	32	10	5	180	294	40
		10	AVTD10S																					
		15	AVTD15S																					
		20	AVTD20S																					
		25	AVTE25S																					
	2.20	30	AVTE30S	491	68	5	16	129	34	1	310	250	300	150	150	19	58	53	38	10	5	180	294	48
		45	AVTE45S																					
		50	AVTE50S																					
		60	AVTE60S																					
	3.70	75	AVTE75S	509	68	5	16	147	34	1	310	250	300	150	150	19	58	53	38	10	5	180	294	49.5
		100	AVTF100S																					
		130	AVTG130S																					
150		AVTG150S																						
5.50	5	AVTE5S	511	68	5	16	129	34	1	310	250	300	150	150	19	58	53	38	10	5	198	314	56.5	
	10	AVTE10S																						
	15	AVTE15S																						
	20	AVTE20S																						
7.50	25	AVTF25S	546	92	5	20	140	42	2	350	310	390	180	180	19	82	77	42	12	5	198	314	66.5	
	30	AVTF30S																						
	45	AVTF45S																						
	50	AVTF50S																						
11.0	60	AVTF60S	567	92	5	20	161	42	2	350	310	390	180	180	19	82	77	42	12	5	198	314	69	
	75	AVTG75S																						
	100	AVTG100S																						
	130	AVTG130S																						
15.0	5	AVTF5S	577	92	5	20	143	42	2	350	310	390	180	180	19	82	77	42	12	5	222	342	77	
	10	AVTF10S																						
	15	AVTF15S																						
	20	AVTF20S																						
22.0	25	AVTG25S	586	92	5	20	152	47	2	380	340	420	195	195	19	82	77	48	14	5.5	222	342	95	
	30	AVTG30S																						
	45	AVTG45S																						
	50	AVTG50S																						
30.0	60	AVTG60S	612	92	5	20	178	47	2	380	340	420	195	195	19	82	77	48	14	5.5	222	342	100	
	5	AVTF5S																						
	10	AVTF10S																						
	15	AVTF15S																						
45.0	20	AVTG20S	651	92	5	20	163	52	2	380	340	420	195	195	19	82	77	48	14	5.5	262	396	115	
	5	AVTG5S																						
	10	AVTG10S																						
	15	AVTG15S																						
75.0	5	AVTG5S	700	92	5	20	168	52	2	380	340	420	195	195	19	82	77	48	14	5.5	262	440	121	
	15	AVTG15S																						

Type (AC) Foot Mounted Reducer



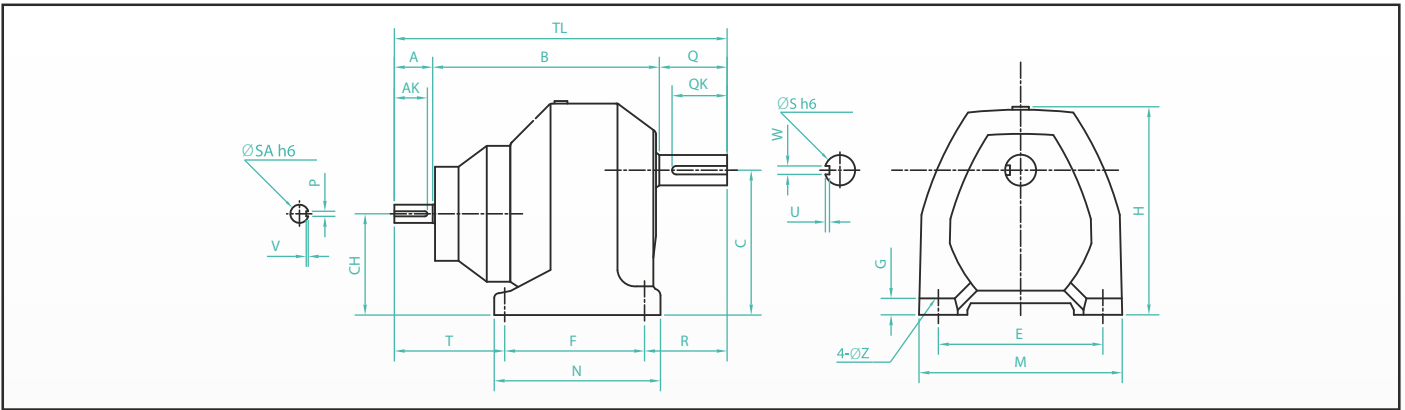
Ratio	Reducer Frame	Dimension (mm)																						Mass (kg)			
		KW	TL	B	C	CH	E	F	T	G	H	I	M	N	R	Z	A	AK	SA	P	V	Q	QK		S	W	U
5	ACA5L	0.40 KW	188	135	90	70	130	65	79.5	12	137	-	154	90	43.5	12	25	20	14	5	3.0	28	23	18	6	3.5	4.5
	ACB5L	0.75 KW	239	175	105	83	130	75	110	12	165	-	155	105	54	12	28	23	18	6	3.5	36	31	22	6	3.5	8.0
	ACC5L	1.50 KW	268	196	120	94	140	90	124	14	185	215	170	120	54	12	36	31	20	6	3.5	36	31	24	8	4.0	11.5
	ACD5L	2.20 KW	322	228	135	102	170	125	119	17	215	246	210	155	78	12	36	31	22	6	3.5	58	53	32	10	5.0	21.5
	ACE5L	3.70 KW	347	247	150	116	190	140	124	22	237	274	245	180	83	15	42	37	25	8	4.0	58	53	38	10	5.0	32.5
	ACF5S	5.50 KW	417	277	180	138	220	160	150	25	283	320	280	200	107	19	58	53	30	8	4.0	82	77	42	12	5.0	43.0
	ACG5S	7.50 KW	448	308	200	148	270	195	146	32	315	362	330	235	107	19	58	53	35	10	5.0	82	77	48	14	5.5	63.0
	ACH5S	11.0 KW	525	361	225	170	300	215	198	35	345	393	360	265	112	24	82	77	40	12	5.0	82	77	56	16	6.0	91.0
10	ACA010L	0.40 KW	188	135	90	70	130	65	79.5	12	137	-	154	90	43.5	12	25	20	14	5	3.0	28	23	18	6	3.5	4.5
	ACB010L	0.75 KW	239	175	105	83	130	75	110	12	165	-	155	105	54	12	28	23	18	6	3.5	36	31	22	6	3.5	8.0
	ACC010L	1.50 KW	268	196	120	94	140	90	124	14	185	215	170	120	54	12	36	31	20	6	3.5	36	31	24	8	4.0	11.5
	ACD010L	2.20 KW	322	228	135	102	170	125	119	17	215	246	210	155	78	12	36	31	22	6	3.5	58	53	32	10	5.0	21.5
	ACE010L	3.70 KW	347	247	150	116	190	140	124	22	237	274	245	180	83	15	42	37	25	8	4.0	58	53	38	10	5.0	32.5
	ACF010S	5.50 KW	417	277	180	138	220	160	150	25	283	320	280	200	107	19	58	53	30	8	4.0	82	77	42	12	5.0	43.0
	ACG010S	7.50 KW	448	308	200	148	270	195	146	32	315	362	330	235	107	19	58	53	35	10	5.0	82	77	48	14	5.5	63.0
	ACH010S	11.0 KW	525	361	225	170	300	215	198	35	345	393	360	265	112	24	82	77	40	12	5.0	82	77	56	16	6.0	91.0
15	ACA015L	0.40 KW	188	135	90	70	130	65	79.5	12	137	-	154	90	43.5	12	25	20	14	5	3.0	28	23	18	6	3.5	4.5
	ACB015L	0.75 KW	239	175	105	83	130	75	110	12	165	-	155	105	54	12	28	23	18	6	3.5	36	31	22	6	3.5	8.0
	ACC015L	1.50 KW	268	196	120	94	140	90	124	14	185	215	170	120	54	12	36	31	20	6	3.5	36	31	24	8	4.0	11.5
	ACD015L	2.20 KW	322	228	135	102	170	125	119	17	215	246	210	155	78	12	36	31	22	6	3.5	58	53	32	10	5.0	21.5
	ACE015L	3.70 KW	347	247	150	116	190	140	124	22	237	274	245	180	83	15	42	37	25	8	4.0	58	53	38	10	5.0	32.5
	ACF015S	5.50 KW	417	277	180	138	220	160	150	25	283	320	280	200	107	19	58	53	30	8	4.0	82	77	42	12	5.0	43.0
	ACG015S	7.50 KW	448	308	200	148	270	195	146	32	315	362	330	235	107	19	58	53	35	10	5.0	82	77	48	14	5.5	63.0
	ACH015S	11.0 KW	525	361	225	170	300	215	198	35	345	393	360	265	112	24	82	77	40	12	5.0	82	77	56	16	6.0	91.0
20	ACA020L	0.40 KW	188	135	90	70	130	65	79.5	12	137	-	154	90	43.5	12	25	20	14	5	3.0	28	23	18	6	3.5	4.5
	ACB020L	0.75 KW	239	175	105	83	130	75	110	12	165	-	155	105	54	12	28	23	18	6	3.5	36	31	22	6	3.5	8.0
	ACC020L	1.50 KW	268	196	120	94	140	90	124	14	185	215	170	120	54	12	36	31	20	6	3.5	36	31	24	8	4.0	11.5
	ACD020L	2.20 KW	322	228	135	102	170	125	119	17	215	246	210	155	78	12	36	31	22	6	3.5	58	53	32	10	5.0	21.5
	ACE020L	3.70 KW	347	247	150	116	190	140	124	22	237	274	245	180	83	15	42	37	25	8	4.0	58	53	38	10	5.0	32.5
	ACF020S	3.70 KW	385	261	180	138	220	160	118	25	283	320	280	200	107	19	42	37	25	8	4.0	82	77	42	12	5.0	43.0
	ACG020S	5.50 KW	429	289	200	148	270	195	127	32	315	362	330	235	107	19	58	53	30	8	4.0	82	77	48	14	5.5	60.0
	ACH020S	7.50 KW	470	330	200	148	270	195	146	32	315	362	330	235	107	19	58	53	35	10	5.0	82	77	56	16	6.0	78.0
ACK020S	11.0 KW	556	369	250	192	340	240	176	40	385	442	410	300	140	24	82	77	40	12	5.0	105	100	63	18	7.0	116.0	
25	ACB025L	0.40 KW	230	169	105	83	130	75	101	12	165	-	155	105	54	12	25	20	14	5	3.0	36	31	22	6	3.5	7.0
	ACC025L	0.75 KW	247	183	120	94	140	90	103	14	185	-	170	120	54	12	28	23	18	6	3.5	36	31	24	8	4.0	9.5
	ACD025L	1.50 KW	305	211	135	102	170	125	102	17	215	246	210	155	78	12	36	31	20	6	3.5	58	53	32	10	5.0	21.0
	ACE025L	2.20 KW	333	239	150	116	190	140	110	22	237	274	245	180	83	15	36	31	22	6	3.5	58	53	38	10	5.0	29.0
	ACF025L	3.70 KW	385	261	180	138	220	160	118	25	283	320	280	200	107	19	42	37	25	8	4.0	82	77	42	12	5.0	43.0
	ACG025S	3.70 KW	394	270	200	148	270	195	92	32	315	362	330	235	107	19	42	37	25	8	4.0	82	77	48	14	5.5	60.0
	ACH025S	5.50 KW	451	311	225	170	300	215	124	35	345	393	360	265	112	24	58	53	30	8	4.0	82	77	56	16	6.0	75.0
	ACK025S	7.50 KW	501	338	250	192	340	240	121.0	40	385	442	410	300	140	24	58	53	35	10	5.0	105	100	63	18	7.0	103.0

Type (AC) Foot Mounted Reducer



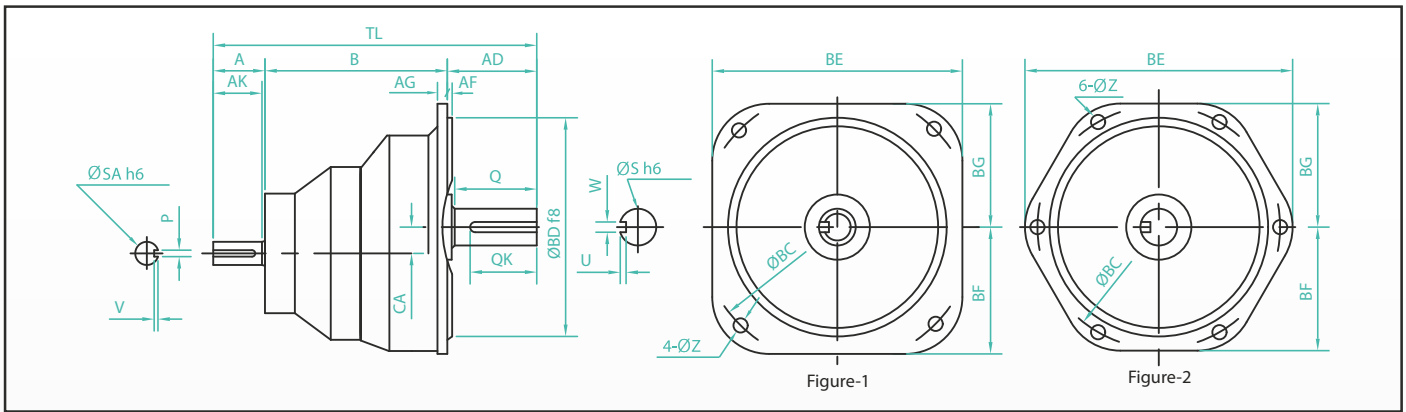
Ratio	Reducer Frame	Dimension (mm)																				Mass (kg)					
		KW	TL	B	C	CH	E	F	T	G	H	I	M	N	R	Z	A	AK	SA	P	V		Q	QK	S	W	U
30	ACB030L	0.40 KW	230	169	105	83	130	75	101	12	165	-	155	105	54	12	25	20	14	5	3.0	36	31	22	6	3.5	7
	ACC030L	0.75 KW	247	183	120	94	140	90	103	14	185	-	170	120	54	12	28	23	18	6	3.5	36	31	24	8	4.0	9.5
	ACD030L	1.50 KW	305	211	135	102	170	125	102	17	215	246	210	155	78	12	36	31	20	6	3.5	58	53	32	10	5.0	21
	ACE030L	2.20 KW	333	239	150	116	190	140	110	22	237	274	245	180	83	15	36	31	22	6	3.5	58	53	38	10	5.0	29
	ACF030L	3.70 KW	385	261	180	138	220	160	118	25	283	320	280	200	107	19	42	37	25	8	4.0	82	77	42	12	5.0	43
	ACG030S	3.70 KW	394	270	200	148	270	195	92	32	315	362	330	235	107	19	42	37	25	8	4.0	82	77	48	14	5.5	60
	ACH030S	5.50 KW	451	311	225	170	300	215	124	35	345	393	360	265	112	24	58	53	30	8	4.0	82	77	56	16	6.0	75
	ACK030S	7.50 KW	501	338	250	192	340	240	121	40	385	442	410	300	140	24	58	53	35	10	5.0	105	100	63	18	7.0	103
45	ACB045L	0.40 KW	238	177	105	83	130	75	109	12	165	-	155	105	54	12	25	20	14	5	3.0	36	31	22	6	3.5	7.5
	ACC045L	0.75 KW	261	197	120	94	140	90	117	14	185	-	170	120	54	12	28	23	18	6	3.5	36	31	24	8	4.0	10.5
	ACD045L	1.50 KW	319	225	135	102	170	125	116	17	215	246	210	155	78	12	36	31	20	6	3.5	58	53	32	10	5.0	22
	ACE045L	2.20 KW	351	257	150	116	190	140	128	22	237	274	245	180	83	15	36	31	22	6	3.5	58	53	38	10	5.0	30.5
	ACF045L	3.70 KW	406	282	180	138	220	160	139	25	283	320	280	200	107	19	42	37	25	8	4.0	82	77	42	12	5.0	45.5
	ACG045S	3.70 KW	420	296	200	153	270	195	118	32	315	362	330	235	107	19	42	37	25	8	4.0	82	77	48	14	5.5	65
	ACH045S	5.50 KW	475	335	225	168	300	215	148	35	345	393	360	265	112	24	58	53	30	8	4.0	82	77	56	16	6.0	80
	ACK045S	7.50 KW	535	372	250	190	340	240	155	40	385	442	410	300	140	24	58	53	35	10	5.0	105	100	63	18	7.0	113
50	ACB050L	0.40 KW	238	177	105	83	130	75	109	12	165	-	155	105	54	12	25	20	14	5	3.0	36	31	22	6	3.5	7.5
	ACC050L	0.75 KW	261	197	120	94	140	90	117	14	185	-	170	120	54	12	28	23	18	6	3.5	36	31	24	8	4.0	10.5
	ACD050L	1.50 KW	319	225	135	102	170	125	116	17	215	246	210	155	78	12	36	31	20	6	3.5	58	53	32	10	5.0	22
	ACE050L	2.20 KW	351	257	150	116	190	140	128	22	237	274	245	180	83	15	36	31	22	6	3.5	58	53	38	10	5.0	30.5
	ACF050L	3.70 KW	406	282	180	138	220	160	139	25	283	320	280	200	107	19	42	37	25	8	4.0	82	77	42	12	5.0	45.5
	ACG050S	3.70 KW	420	296	200	153	270	195	118	32	315	362	330	235	107	19	42	37	25	8	4.0	82	77	48	14	5.5	65
	ACH050S	5.50 KW	475	335	225	168	300	215	148	35	345	393	360	265	112	24	58	53	30	8	4.0	82	77	56	16	6.0	80
	ACK050S	7.50 KW	535	372	250	190	340	240	155	40	385	442	410	300	140	24	58	53	35	10	5.0	105	100	63	18	7.0	113
60	ACB060L	0.40 KW	238	177	105	83	130	75	109	12	165	-	155	105	54	12	25	20	14	5	3.0	36	31	22	6	3.5	7.5
	ACC060L	0.75 KW	261	197	120	94	140	90	117	14	185	-	170	120	54	12	28	23	18	6	3.5	36	31	24	8	4.0	10.5
	ACD060L	1.50 KW	319	225	135	102	170	125	116	17	215	246	210	155	78	12	36	31	20	6	3.5	58	53	32	10	5.0	22
	ACE060L	2.20 KW	351	257	150	116	190	140	128	22	237	274	245	180	83	15	36	31	22	6	3.5	58	53	38	10	5.0	30.5
	ACF060L	3.70 KW	406	282	180	138	220	160	139	25	283	320	280	200	107	19	42	37	25	8	4.0	82	77	42	12	5.0	45.5
	ACG060S	3.70 KW	420	296	200	153	270	195	118	32	315	362	330	235	107	19	42	37	25	8	4.0	82	77	48	14	5.5	65
	ACH060S	5.50 KW	475	335	225	168	300	215	148	35	345	393	360	265	112	24	58	53	30	8	4.0	82	77	56	16	6.0	80
	ACK060S	7.50 KW	535	372	250	190	340	240	155	40	385	442	410	300	140	24	58	53	35	10	5.0	105	100	63	18	7.0	113
75	ACB075L	0.40 KW	238	177	105	83	130	75	109	12	165	-	155	105	54	12	25	20	14	5	3.0	36	31	22	6	3.5	7.5
	ACC075L	0.75 KW	261	197	120	94	140	90	117	14	185	-	170	120	54	12	28	23	18	6	3.5	36	31	24	8	4.0	10.5
	ACD075L	1.50 KW	319	225	135	102	170	125	116	17	215	246	210	155	78	12	36	31	20	6	3.5	58	53	32	10	5.0	22
	ACE075S	2.20 KW	334	240	150	116	190	140	111	22	237	274	245	180	83	15	36	31	20	6	3.5	58	53	38	10	5.0	30
	ACF075L	3.70 KW	389	271	180	138	220	160	122	25	283	320	280	200	107	19	42	37	22	6	3.5	82	77	42	12	5.0	42
	ACG075L	3.70 KW	420	296	200	153	270	195	118	32	315	362	330	235	107	19	42	37	25	8	4.0	82	77	48	14	5.5	65
	ACH075S	5.50 KW	443	319	225	168	300	215	116	35	345	393	360	265	112	24	42	37	25	8	4.0	82	77	56	16	6.0	80
	ACK075S	7.50 KW	516	353	250	190	340	240	136	40	385	442	410	300	140	24	58	53	35	8	4.0	105	100	63	18	7.0	110
100	ACC100L	0.40 KW	252	191	120	94	140	90	108	14	185	-	170	120	54	12	25	20	14	5	3.0	36	31	24	8	4.0	9.5
	ACD100L	0.75 KW	295	209	135	102	170	125	92	17	215	246	210	155	78	12	28	23	18	6	3.5	58	53	32	10	5.0	20
	ACE100L	1.50 KW	334	240	150	116	190	140	111	22	237	274	245	180	83	15	36	31	20	6	3.5	58	53	38	10	5.0	30
	ACF100L	2.20 KW	389	271	180	138	220	160	122	25	283	320	280	200	107	19	42	37	22	6	3.5	82	77	42	12	5.0	42
	ACG100L	3.70 KW	420	296	200	153	270	195	118	32	315	362	330	235	107	19	42	37	25	8	4.0	82	77	48	14	5.5	65
	ACH100S	3.70 KW	443	319	225	168	300	215	116	35	345	393	360	265	112	24	42	37	25	8	4.0	82	77	56	16	6.0	80
	ACK100S	5.50 KW	516	353	250	190	340	240	136	40	385	442	410	300	140	24	58	53	30	8	4.0	105	100	63	18	7.0	110

Type (AC) Foot Mounted Reducer



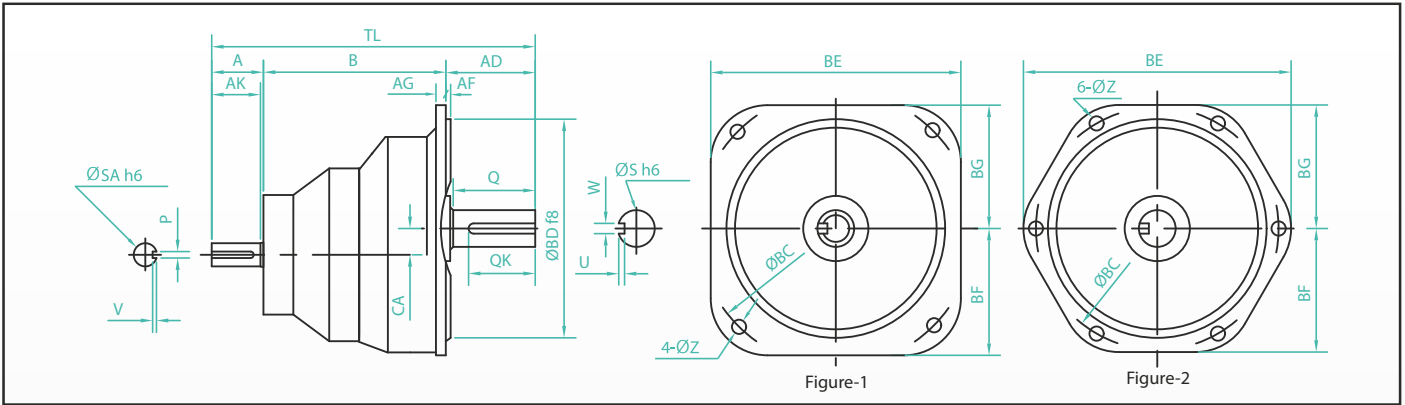
Ratio	Reducer Frame	Dimension (mm)																							Mass (kg)		
		KW	TL	B	C	CH	E	F	T	G	H	I	M	N	R	Z	A	AK	SA	P	V	Q	QK	S		W	U
130	ACC130L	0.40 KW	252	191	120	94	140	90	108	14	185	-	170	120	54	12	25	20	14	5	3.0	36	31	24	8	4.0	9.5
	ACD130L	0.75 KW	295	209	135	102	170	125	92	17	215	246	210	155	78	12	28	23	18	6	3.5	58	53	32	10	5.0	20
	ACE130S	0.75 KW	310	224	150	116	190	140	87	22	237	274	245	180	83	15	28	23	18	6	3.5	58	53	38	10	5.0	28
	ACF130L	1.50 KW	363	245	180	138	220	160	105	25	283	320	280	200	107	19	36	31	20	6	3.5	82	77	42	12	5.0	41.5
	ACG130L	2.20 KW	409	291	200	153	270	195	107	32	315	362	330	235	107	19	36	31	22	6	3.5	82	77	48	14	5.5	61.5
	ACH130S	2.20 KW	424	306	225	168	300	215	96	35	345	393	360	265	112	24	36	31	22	5	3.5	82	77	56	16	6.0	76.5
	ACK130S	3.70 KW	484	337	250	190	340	240	104	40	385	442	410	300	140	24	42	37	25	8	4.0	105	100	63	18	7.0	110
150	ACC150L	0.40 KW	252	191	120	94	140	90	108	14	185	-	170	120	54	12	25	20	14	5	3.0	36	31	24	8	4.0	9.5
	ACD150L	0.75 KW	295	209	135	102	170	125	92	17	215	246	210	155	78	12	28	23	18	6	3.5	58	53	32	10	5.0	20
	ACE150S	0.75 KW	310	224	150	116	190	140	87	22	237	274	245	180	83	15	28	23	18	6	3.5	58	53	38	10	5.0	28
	ACF150L	1.50 KW	363	245	180	138	220	160	105	25	283	320	280	200	107	19	36	31	20	6	3.5	82	77	42	12	5.0	41.5
	ACG150L	2.20 KW	409	291	200	153	270	195	107	32	315	362	330	235	107	19	36	31	22	6	3.5	82	77	48	14	5.5	61.5
	ACH150S	2.20 KW	424	306	225	168	300	215	96	35	345	393	360	265	112	24	36	31	22	5	3.5	82	77	56	16	6.0	76.5
	ACK150S	3.70 KW	484	337	250	190	340	240	104	40	385	442	410	300	140	24	42	37	25	8	4.0	105	100	63	18	7.0	110
200	ACD200L	0.40 KW	286	203	135	102	170	125	83	17	215	246	210	155	78	12	25	20	14	5	3.0	58	53	32	10	5.0	19
	ACE200L	0.75 KW	310	224	150	116	190	140	87	22	237	274	245	180	83	15	28	23	18	6	3.5	58	53	38	10	5.0	28
	ACF200S	0.75 KW	351	241	180	141	220	160	84	25	283	320	280	200	107	19	28	23	18	6	3.5	82	77	42	12	5.0	39.5
	ACG200L	1.50 KW	392	274	200	153	270	195	90	32	315	362	330	235	107	19	36	31	20	6	3.5	82	77	48	14	5.5	61
	ACH200S	1.50 KW	406	288	225	168	300	215	79	35	345	393	360	265	112	24	36	31	20	6	3.5	82	77	56	16	6.0	76
	ACK200S	2.20 KW	460	319	250	192	340	240	80	40	385	442	410	300	140	24	36	31	22	6	3.5	105	100	63	18	7.0	107

Type (AVC) Flange Mounted Reducer



Ratio	Reducer Frame	Dimension (mm)																				Mass (kg)				
		KW	TL	AD	AF	AG	B	CA	Flange						Input Shaft-End					Output Shaft-End						
									Fig	BC	BD	BE	BF	BG	Z	A	AK	SA	P	V	Q		QK	S	W	U
5	AVCA5L	0.40 KW	185	31	3	11	129	20	1.0	160	140	160	90	80	10.0	25	20	14	5	3	28	23	18	6	4	5.0
	AVCB5L	0.75 KW	236	39	3	11	169	22	1.0	180	160	180	100	90	10.0	28	23	18	6	4	36	31	22	6	4	8.5
	AVCC5L	1.50 KW	265	39	3	12	190	26	1.0	225	180	210	115	105	12.0	36	31	20	6	4	36	31	24	8	4	12.0
	AVCD5L	2.20 KW	317	61	3	16	220	33	1.0	270	230	260	130	130	15.0	36	31	22	6	4	58	53	32	10	5	24.5
	AVCE5L	3.70 KW	342	63	5	16	237	34	1.0	310	250	300	150	150	19.0	42	37	25	8	4	58	53	38	10	5	36.0
	AVCF5S	5.50 KW	412	87	5	20	267	42	2.0	350	310	390	180	180	19.0	58	53	30	8	4	82	77	42	12	5	46
	AVCG5S	7.50 KW	443	87	5	20	298	52	2.0	380	340	420	195	195	19.0	58	53	35	10	5	82	77	48	14	6	67
10	AVCA010L	0.40 KW	185	31	3	11	129	20	1.0	160	140	160	90	80	10.0	25	20	14	5	3	28	23	18	6	4	5
	AVCB010L	0.75 KW	236	39	3	11	169	22	1.0	180	160	180	100	90	10.0	28	23	18	6	4	36	31	22	6	4	8.5
	AVCC010L	1.50 KW	265	39	3	12	190	26	1.0	225	180	210	115	105	12.0	36	31	20	6	4	36	31	24	8	4	12
	AVCD010L	2.20 KW	317	61	3	16	220	33	1.0	270	230	260	130	130	15.0	36	31	22	6	4	58	53	32	10	5	24.5
	AVCE010L	3.70 KW	342	63	5	16	237	34	1.0	310	250	300	150	150	19.0	42	37	25	8	4	58	53	38	10	5	36
	AVCF010S	5.50 KW	412	87	5	20	267	42	2.0	350	310	390	180	180	19.0	58	53	30	8	4	82	77	42	12	5	46
	AVCG010S	7.50 KW	443	87	5	20	298	52	2.0	380	340	420	195	195	19.0	58	53	35	10	5	82	77	48	14	6	67
15	AVCA015L	0.40 KW	185	31	3	11	129	20	1.0	160	140	160	90	80	10.0	25	20	14	5	3	28	23	18	6	4	5
	AVCB015L	0.75 KW	236	39	3	11	169	22	1.0	180	160	180	100	90	10.0	28	23	18	6	4	36	31	22	6	4	8.5
	AVCC015L	1.50 KW	265	39	3	12	190	26	1.0	225	180	210	115	105	12.0	36	31	20	6	4	36	31	24	8	4	12
	AVCD015L	2.20 KW	317	61	3	16	220	33	1.0	270	230	260	130	130	15.0	36	31	22	6	4	58	53	32	10	5	24.5
	AVCE015L	3.70 KW	342	63	5	16	237	34	1.0	310	250	300	150	150	19.0	42	37	25	8	4	58	53	38	10	5	36
	AVCF015S	5.50 KW	412	87	5	20	267	42	2.0	350	310	390	180	180	19.0	58	53	30	8	4	82	77	42	12	5	46
	AVCG015S	7.50 KW	443	87	5	20	298	52	2.0	380	340	420	195	195	19.0	58	53	35	10	5	82	77	48	14	6	67
20	AVCA020L	0.40 KW	185	31	3	11	129	20	1.0	160	140	160	90	80	10.0	25	20	14	5	3	28	23	18	6	4	5
	AVCB020L	0.75 KW	236	39	3	11	169	22	1.0	180	160	180	100	90	10.0	28	23	18	6	4	36	31	22	6	4	8.5
	AVCC020L	1.50 KW	265	39	3	12	190	26	1.0	225	180	210	115	105	12.0	36	31	20	6	4	36	31	24	8	4	12
	AVCD020L	2.20 KW	317	61	3	16	220	33	1.0	270	230	260	130	130	15.0	36	31	22	6	4	58	53	32	10	5	24.5
	AVCE020L	3.70 KW	342	63	5	16	237	34	1.0	310	250	300	150	150	19.0	42	37	25	8	4	58	53	38	10	5	36
	AVCF020S	3.70 KW	380	87	5	20	251	42	2.0	350	310	390	180	180	19.0	42	37	25	8	4	82	77	42	12	5	46
	AVCG020S	5.50 KW	424	87	5	20	279	52	2.0	380	340	420	195	195	19.0	58	53	30	8	4	82	77	48	14	6	64
25	AVCB025L	0.40 KW	227	39	3	11	163	22	1.0	180	160	180	100	90	10.0	25	20	14	5	3	36	31	22	6	4	7.5
	AVCC025L	0.75 KW	244	39	3	12	177	26	1.0	225	180	210	115	105	12.0	28	23	18	6	4	36	31	24	8	4	10
	AVCD025L	1.50 KW	300	61	3	16	203	33	1.0	270	230	260	130	130	15.0	36	31	20	6	4	58	53	32	10	5	24
	AVCE025L	2.20 KW	326	61	3	16	229	34	1.0	310	250	300	150	150	19.0	36	31	22	6	4	58	53	38	10	5	32.5
	AVCF025L	3.70 KW	380	87	5	20	251	42	2.0	350	310	390	180	180	19.0	42	37	25	8	4	82	77	42	12	5	46
	AVCG025S	3.70 KW	389	87	5	20	260	47	2.0	380	340	420	195	195	19.0	42	37	25	8	4	82	77	48	14	6	64
30	AVCB030L	0.40 KW	227	39	3	11	163	22	1.0	180	160	180	100	90	10.0	25	20	14	5	3	36	31	22	6	4	7.5
	AVCC030L	0.75 KW	244	39	3	12	177	26	1.0	225	180	210	115	105	12.0	28	23	18	6	4	36	31	24	8	4	10.0
	AVCD030L	1.50 KW	300	61	3	16	203	33	1.0	270	230	260	130	130	15.0	36	31	20	6	4	58	53	32	10	5	24.0
	AVCE030L	2.20 KW	326	61	3	16	229	34	1.0	310	250	300	150	150	19.0	36	31	22	6	4	58	53	38	10	5	32.5
	AVCF030L	3.70 KW	380	87	5	20	251	42	2.0	350	310	390	180	180	19.0	42	37	25	8	4	82	77	42	12	5	46.0
	AVCG030S	3.70 KW	389	87	5	20	260	47	2.0	380	340	420	195	195	19.0	42	37	25	8	4	82	77	48	14	6	64.0
45	AVCB045L	0.40 KW	235	39	3	11	171	22	1.0	180	160	180	100	90	10.0	25	20	14	5	3	36	31	22	6	4	8.0
	AVCC045L	0.75 KW	258	39	3	12	191	26	1.0	225	180	210	115	105	12.0	28	23	18	6	4	36	31	24	8	4	11.0
	AVCD045L	1.50 KW	314	61	3	16	217	33	1.0	270	230	260	130	130	15.0	36	31	20	6	4	58	53	32	10	5	25.0
	AVCE045L	2.20 KW	346	63	5	16	247	34	1.0	310	250	300	150	150	19.0	36	31	22	6	4	58	53	38	10	5	34.0
	AVCF045L	3.70 KW	371	87	5	20	242	42	2.0	350	310	390	180	180	19.0	42	37	25	8	4	82	77	42	12	5	48.5
	AVCG045S	3.70 KW	415	87	5	20	286	47	2.0	380	340	420	195	195	19.0	42	37	25	8	4	82	77	48	14	6	69.0

Type (AVC) Flange Mounted Reducer



Ratio	Reducer Frame	Dimension (mm)																				Mass (kg)				
		KW	TL	AD	AF	AG	B	CA	Flange							Input Shaft-End					Output Shaft-End					
									Fig	BC	BD	BE	BF	BG	Z	A	AK	SA	P	V	Q		QK	S	W	U
50	AVCB050L	0.40 KW	235	39	3	11	171	22	1.0	180	160	180	100	90	10.0	25	20	14	5	3	36.0	31	22	6	4	8.0
	AVCC050L	0.75 KW	258	39	3	12	191	26	1.0	225	180	210	115	105	12.0	28	23	18	6	4	36.0	31	24	8	4	11
	AVCD050L	1.50 KW	314	61	3	16	217	33	1.0	270	230	260	130	130	15.0	36	31	20	6	4	58.0	53	32	10	5	25
	AVCE050L	2.20 KW	346	63	5	16	247	34	1.0	310	250	300	150	150	19.0	36	31	22	6	4	58.0	53	38	10	5	34
	AVCF050L	3.70 KW	371	87	5	20	242	42	2.0	350	310	390	180	180	19.0	42	37	25	8	4	82.0	77	42	12	5	48.5
	AVCG050S	3.70 KW	415	87	5	20	286	47	2.0	380	340	420	195	195	19.0	42	37	25	8	4	82.0	77	48	14	6	69
60	AVCB060L	0.40 KW	235	39	3	11	171	22	1.0	180	160	180	100	90	10.0	25	20	14	5	3	36.0	31	22	6	4	8
	AVCC060L	0.75 KW	258	39	3	12	191	26	1.0	225	180	210	115	105	12.0	28	23	18	6	4	36.0	31	24	8	4	11
	AVCD060L	1.50 KW	314	61	3	16	217	33	1.0	270	230	260	130	130	15.0	36	31	20	6	4	58.0	53	32	10	5	25
60	AVCE060L	2.20 KW	346	63	5	16	247	34	1.0	310	250	300	150	150	19.0	36	31	22	6	4	58.0	53	38	10	5	34
	AVCF060L	3.70 KW	371	87	5	20	242	42	2.0	350	310	390	180	180	19.0	42	37	25	8	4	82.0	77	42	12	5	48.5
	AVCG060S	3.70 KW	415	87	5	20	286	47	2.0	380	340	420	195	195	19.0	42	37	25	8	4	82.0	77	48	14	6	69
75	AVCB075L	0.40 KW	235	39	3	11	171	22	1.0	180	160	180	100	90	10.0	25	20	14	5	3	36.0	31	22	6	4	8
	AVCC075L	0.75 KW	258	39	3	12	191	26	1.0	225	180	210	115	105	12.0	28	23	18	6	4	36.0	31	24	8	4	11
	AVCD075L	1.50 KW	314	61	3	16	217	33	1.0	270	230	260	130	130	15.0	36	31	20	6	4	58.0	53	32	10	5	25
	AVCE075S	1.50 KW	346	63	5	16	247	34	1.0	310	250	300	150	150	19.0	36	31	20	6	4	58.0	53	38	10	5	34
	AVCF075L	2.20 KW	365	87	5	20	242	42	2.0	350	310	390	180	180	19.0	36	37	22	6	4	82.0	77	42	12	5	48.5
	AVCG075L	3.70 KW	415	87	5	20	286	47	2.0	380	340	420	195	195	19.0	42	37	25	8	4	82.0	77	48	14	6	69
100	AVCC100L	0.40 KW	249	39	3	12	185	26	1.0	225	180	210	115	105	12.0	25	20	14	5	3	36.0	31	24	8	4	10
	AVCD100L	0.75 KW	290	61	3	16	201	33	1.0	270	230	260	130	130	15.0	28	23	18	6	4	58.0	53	32	10	5	23
	AVCE100L	1.50 KW	329	63	5	16	230	34	1.0	310	250	300	150	150	19.0	36	31	20	6	4	58.0	53	38	10	5	33.5
	AVCF100L	2.20 KW	384	87	5	20	261	42	2.0	350	310	390	180	180	19.0	36	31	22	6	4	82.0	77	42	12	5	45
	AVCG100L	3.70 KW	415	87	5	20	286	47	2.0	380	340	420	195	195	19.0	42	37	25	8	4	82.0	77	48	14	6	69
130	AVCC130L	0.40 KW	249	39	3	12	185	26	1.0	225	180	210	115	105	12.0	25	20	14	5	3	36.0	31	24	8	4	10
	AVCD130L	0.75 KW	290	61	3	16	201	33	1.0	270	230	260	130	130	15.0	28	23	18	6	4	58.0	53	32	10	5	23
	AVCE130S	0.75 KW	321	63	5	16	230	34	1.0	310	250	300	150	150	19.0	28	23	18	6	4	58.0	53	38	10	5	31.5
	AVCF130L	1.50 KW	384	87	5	20	261	42	2.0	350	310	390	180	180	19.0	36	31	20	6	4	82.0	77	42	12	5	44.5
	AVCG130L	2.20 KW	409	87	5	20	286	47	2.0	380	340	420	195	195	19.0	36	31	22	6	4	82.0	77	48	14	6	65.5
150	AVCC150L	0.40 KW	249	39	3	12	185	26	1.0	225	180	210	115	105	12.0	25	20	14	5	3	36.0	31	24	8	4	10
	AVCD150L	0.75 KW	290	61	3	16	201	33	1.0	270	230	260	130	130	15.0	28	23	18	6	4	58.0	53	32	10	5	23
	AVCE150S	0.75 KW	321	63	5	16	230	34	1.0	310	250	300	150	150	19.0	28	23	18	6	4	58.0	53	38	10	5	31.5
	AVCF150L	1.50 KW	384	87	5	20	261	42	2.0	350	310	390	180	180	19.0	36	31	20	6	4	82.0	77	42	12	5	44.5
	AVCG150L	2.20 KW	409	87	5	20	286	47	2.0	380	340	420	195	195	19.0	36	31	22	6	4	82.0	77	48	14	6	65.5
200	AVCD200L	0.40 KW	281	61	3	16	195	33	1.0	270	230	260	130	130	15.0	25	20	14	5	3	58.0	53	32	10	5	22
	AVCE200L	0.75 KW	305	63	5	16	214	34	1.0	310	250	300	150	150	19.0	28	23	18	6	4	58.0	53	38	10	5	31.5
	AVCF200S	0.75 KW	346	87	5	20	231	39	2.0	350	310	390	180	180	19.0	28	23	18	6	4	82.0	77	42	12	5	42.5
	AVCG200L	1.50 KW	387	87	5	20	264	47	2.0	380	340	420	195	195	19.0	36	31	20	6	4	82.0	77	48	14	6	65

Range of Products



POWER BUILD PVT LTD
Leaders in Power Transmission Solutions



Super A Series



Series C



Series F



Series K



Series M



Series PL



Series J



Roloid Gear Pump



Series PP



Loose Gears



E-Portal

Online test certificate link:

<http://202.129.240.120:82/>

Online service request link:

<http://202.129.240.120:83/>

Online Feedback form link:

<http://www.pbl.co.in/Feedbackform.aspx>

Sales Order Booking:

<http://202.129.240.120:84/>

Online General Arrangement Drawings link:

http://radiconpowerbuild.com/GAD_System1.0/

Online Delivery System link:

<http://202.129.240.119:82>



POWER BUILD PVT LTD

Leaders in Power Transmission Solutions



MARKETING & SERVICING COMPANY



EMTICI ENGINEERING LIMITED

REGISTERED OFFICE :

Anand - Sojitra Road, Vallabh Vidyanagar - 388 120. Gujarat, INDIA.
Phones : +91 269 223 0168, +91 269 223 1125 Fax : +91 269 223 6508
Website : www.emtici.co.in

: BRANCH OFFICES :

Ahmedabad:

Phone: +91 79 26406683,
26406684, 26406685
Fax : +91 79 26401363
Email : sales@emtici.co.in

Bangalore:

Phone: +91 80 25250219,
25290082, 25252925
Fax : +91 80 25251834
Email : salesbgl@emtici.co.in

Chennai:

Phone: +91 44 24349237,
24349497, 24322455
Fax : +91 44 24349643
Email : salesmad@emtici.co.in

Dhanbad:

Phone: +91 326 2230404
Fax : +91 326 2230490
Email : salesdhn@emtici.co.in

Indore:

Phone: +91 731 2576100
Fax : +91 731 2558077
Email : limishra@emtici.co.in

Jamshedpur:

Phone: +91 657 2361837, 2362376
Fax : +91 657 246424
Email : salesjns@emtici.co.in

Kolkata:

Phone: +91 33 24761, 24760876
Fax : +91 33 24761831
Email : salescal@emtici.co.in

Madurai:

Phone: +91 4549 293488
Fax : +91 4549 293468

Mumbai:

Phone: +91 20 40191400
Fax : +91 20 40191420
Email : rsrsad@emtici.co.in

Nagpur:

Phone: +91 712 6642616, 6642601
Fax : +91 712 6642622
Email : sbpansari@emtici.co.in

New Delhi:

Phone: +91 11 23414340,
23414340, 23414069
Fax : +91 11 23709046
Email : salesdel@emtici.co.in

Pune:

Phone: +91 20 40191400
Fax : +91 20 40191420
Email : rsrsad@emtici.co.in

Raipur:

Phone: +91 771 4081541,
2259329/324
Fax : +91 771 4081541
Email : pksingh@emtici.co.in

Secunderabad:

Phone: +91 40 27844748, 27845250
Fax : +91 40 27848317
Email : salesec@emtici.co.in

Vadodara:

Phone: +91 265 2312972, 23136701
Fax : +91 265 2312982
Email : salesbrd@emtici.co.in

Visakhapatnam:

Phone: +91 891 2531630,
+91 891 2731630
Email : salessec@emtici.co.in



INTERNATIONAL LOCATIONS

UK | SWEDEN | USA | NETHERLANDS | SINGAPORE
GERMANY | FINLAND | DENMARK | AUSTRALIA | ITALY

SUBSIDIARIES

1. RADICON TRANSMISSION THAILAND LTD. (THAILAND)
2. RADICON TRANSMISSION FZE (UAE)

GEARED MOTORS • GEARBOXES • GEAR ASSEMBLIES • DRIVE SOLUTIONS

POWER BUILD PVT LTD

Leaders in Power Transmission Solutions

Vallabh Vidyanagar - 388120, Gujarat, India • Tel.: + 91 2692 231070, 231120, 231170

CIN U32201GJ1972PTC002065